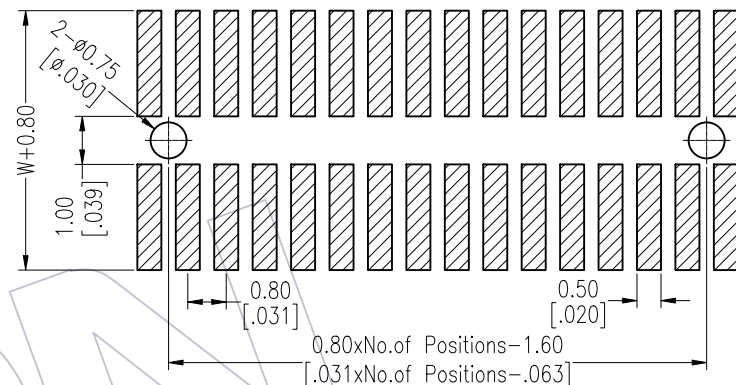
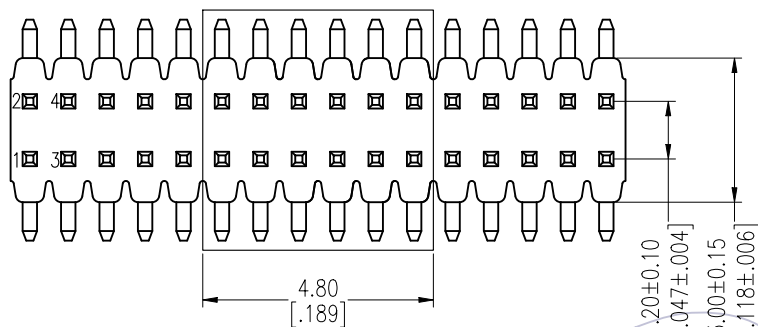


HSF

NOTES:
 Rated Current:0.75AMP.
 Contact Resistance:30mΩ Max.
 Withstand Voltage:500V AC/DC
 Insulation Resistance:1000MΩ Min.
 Operation Temperature:-40°C to +105°C

Contact Material:Brass
 Contact Plating:Au Over Ni
 Insulator Material:LCP+30%G.F UL94V-0 BK(std)
 or PA9T+33%G.F UL94V-0 BK

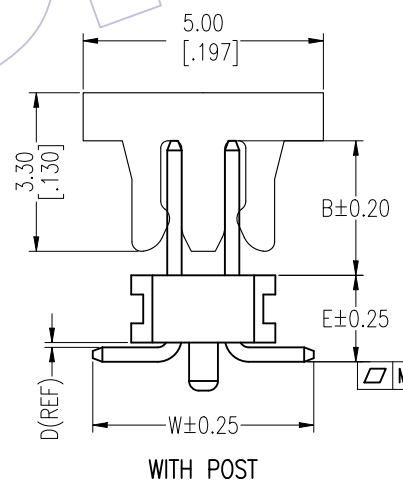
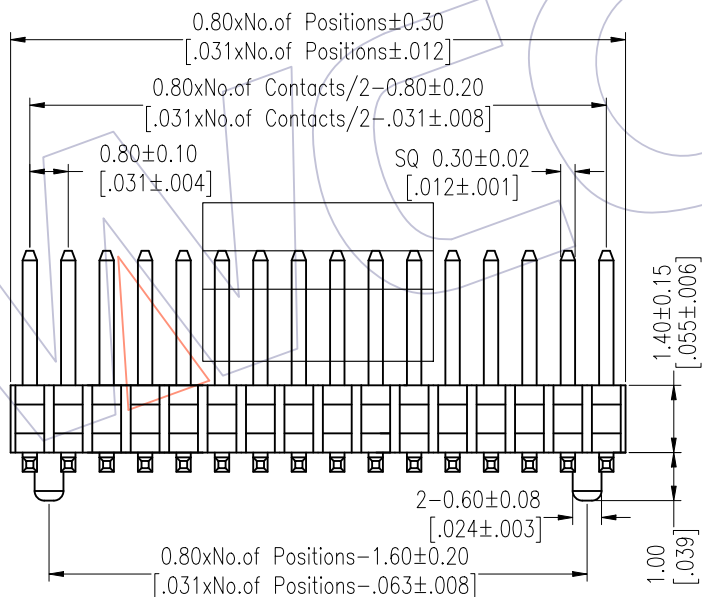
Recommended P.C.B Layout (Top Side)
 (PCB BOARD TOLERANCE±0.05)



Ordering Information

1614-12 XX XX M 060 X R XX

No. of Pins Per Row: 02-50	Contact Plating G0=Gold Flash G3=10u"Gold G4=15u"Gold G5=30u"Gold SN=Tin SM=Matte Tin	Pin Length L=B+D+1.4+W ₂ L ₂ Standard:060=6.0	Insulator C=PA9T D=LCP	Series No. 01-99	Packing A=Tray T=Tube P=Tube+CAP R=Tape&Reel+CAP
-------------------------------	---	---	------------------------------	---------------------	--



Item	Pin Length	W	E	B
Standard	6.0	4.60	1.80	2.80
Alternate				

PIN(PerRow)	2-15P	16-30P	31-50P
M	0.10	0.12	0.15

REV	DATE	MODIFICATION DESCRIPTION	CHANGE	OPERATION	DRAW	DATE	SCALE	Fit	PART NO.
A2	2023/01/31	Add Flatness	△△	X.X ±0.40	William Chen	2018/01/04	UNIT	mm [inch]	1614-12XXXXMXXXXXX △△
A1	2018/01/04	MODIFY PART NO.	----	X.XX ±0.25	CHECK	DATE	SIZE	A4	TITLE: 0.80*1.20 Pin Header, DUAL ROW,SMT,H=1.4
A0	2012/02/28	NEW	----	X.XXX ±0.15	APPROVE	DATE	SHEET	1/1	Customer NO.
				Angle ± 3'			PROJ.		
				DIM TOL					

WCON
 Http: www.wcon.com
 WCON-Dongguan Tel: +86 769 85358920
 WCON-Kunshan Tel: +86 512 57468408
 Fax: +86 769 85358915
 Fax: +86 512 57468468
 E-mail: sales@wcon.com
 E-mail: salesks@wcon.com