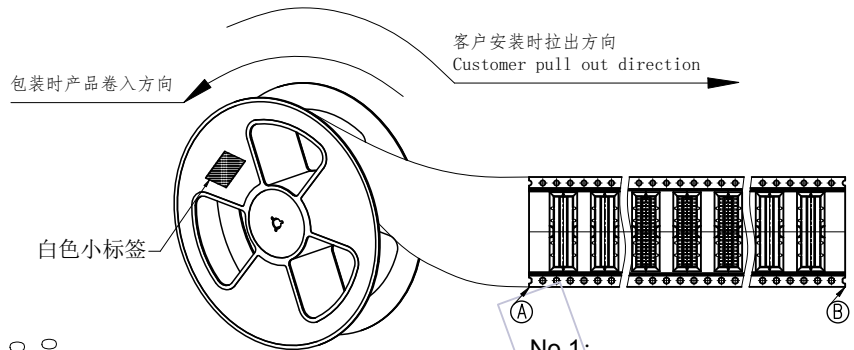
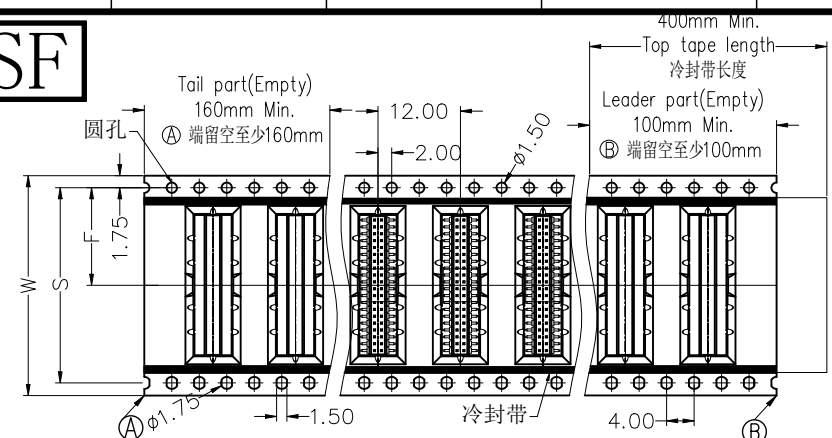
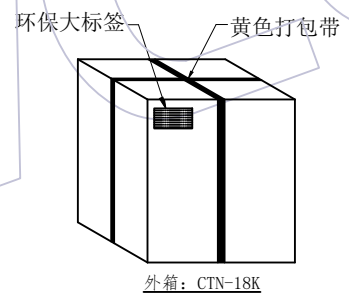
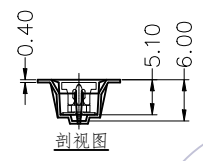


# HSF

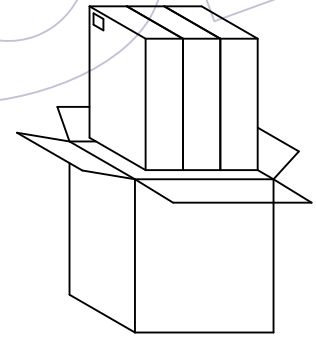


**No.1:**  
产品包装前,注意载带要留空160mm以上  
将产品放入载带凹槽后,用盖带封装,  
注意:盖带与承载带的拉力30g-120g

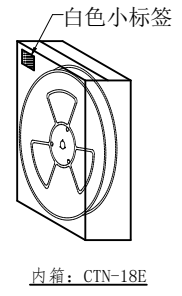
| 2+PIN | 载带料号               | W         | S          | F          | PCS/Reel | PCS/内箱 | PCS/外箱 |
|-------|--------------------|-----------|------------|------------|----------|--------|--------|
| 2     | TR1510-M2002M05301 | 12.0±0.30 | /          | 5.50±0.15  | 900      | 5400   | 16200  |
| 3     | TR1510-M2003M05301 | 12.0±0.30 | /          | 5.50±0.15  | 900      | 5400   | 16200  |
| 4     | TR1510-M2004M05301 | 16.0±0.30 | /          | 7.50±0.15  | 900      | 3600   | 10800  |
| 5     | TR1510-205G2401    | 24.0±0.30 | /          | 11.50±0.15 | 900      | 2700   | 8100   |
| 6     | TR1510-M2006M05301 | 24.0±0.30 | /          | 11.50±0.15 | 900      | 2700   | 8100   |
| 7     | TR1510-M2007M05301 | 24.0±0.30 | /          | 11.50±0.15 | 900      | 2700   | 8100   |
| 8     | TR1510-M2008M05301 | 24.0±0.30 | /          | 11.50±0.15 | 900      | 2700   | 8100   |
| 9     | TR1510-M2009M05301 | 24.0±0.30 | /          | 11.50±0.15 | 900      | 2700   | 8100   |
| 10    | TR1510-M2010M05301 | 24.0±0.30 | /          | 11.50±0.15 | 900      | 2700   | 8100   |
| 11    | TR1510-M2011M05301 | 24.0±0.30 | /          | 11.50±0.15 | 900      | 2700   | 8100   |
| 12    | TR1510-M2012M05301 | 24.0±0.30 | /          | 11.50±0.15 | 900      | 2700   | 8100   |
| 13    | TR1510-M2013M05301 | 24.0±0.30 | /          | 11.50±0.15 | 900      | 2700   | 8100   |
| 14    | TR1510-M2014M05301 | 24.0±0.30 | /          | 11.50±0.15 | 900      | 2700   | 8100   |
| 15    | TR1510-M2015M05301 | 24.0±0.30 | /          | 11.50±0.15 | 900      | 2700   | 8100   |
| 16    | TR1510-218G3201    | 32.0±0.30 | 28.40±0.15 | 14.20±0.15 | 900      | 1800   | 5400   |
| 17    | TR1510-M2017M05301 | 32.0±0.30 | 28.40±0.15 | 14.20±0.15 | 900      | 1800   | 5400   |
| 18    | TR1510-M2018M05301 | 32.0±0.30 | 28.40±0.15 | 14.20±0.15 | 900      | 1800   | 5400   |
| 19    | TR1510-M2019M05301 | 32.0±0.30 | 28.40±0.15 | 14.20±0.15 | 900      | 1800   | 5400   |
| 20    | TR1510-M2020M05301 | 32.0±0.30 | 28.40±0.15 | 14.20±0.15 | 900      | 1800   | 5400   |
| 21    | TR1510-M2021M05301 | 44.0±0.30 | 40.40±0.15 | 20.20±0.15 | 900      | 1800   | 5400   |
| 22    | TR1510-M2022M05301 | 44.0±0.30 | 40.40±0.15 | 20.20±0.15 | 900      | 1800   | 5400   |
| 23    | TR1510-M2023M05301 | 44.0±0.30 | 40.40±0.15 | 20.20±0.15 | 900      | 1800   | 5400   |
| 24    | TR1510-M2024M05301 | 44.0±0.30 | 40.40±0.15 | 20.20±0.15 | 900      | 1800   | 5400   |
| 25    | TR1510-M2025M05301 | 44.0±0.30 | 40.40±0.15 | 20.20±0.15 | 900      | 1800   | 5400   |
| 26    | TR1510-M2026M05301 | 44.0±0.30 | 40.40±0.15 | 20.20±0.15 | 900      | 1800   | 5400   |
| 27    | TR1510-M2027M05301 | 44.0±0.30 | 40.40±0.15 | 20.20±0.15 | 900      | 1800   | 5400   |
| 28    | TR1510-M2028M05301 | 44.0±0.30 | 40.40±0.15 | 20.20±0.15 | 900      | 1800   | 5400   |
| 29    | TR1510-M2029M05301 | 44.0±0.30 | 40.40±0.15 | 20.20±0.15 | 900      | 1800   | 5400   |
| 30    | TR1510-M2030M05301 | 44.0±0.30 | 40.40±0.15 | 20.20±0.15 | 900      | 1800   | 5400   |
| 31    | TR1510-M2031M05301 | 44.0±0.30 | 40.40±0.15 | 20.20±0.15 | 900      | 1800   | 5400   |
| 32    | TR1510-M2032M05301 | 44.0±0.30 | 40.40±0.15 | 20.20±0.15 | 900      | 1800   | 5400   |
| 33    | TR1510-M2033M05301 | 56.0±0.30 | 52.40±0.15 | 26.20±0.15 | 900      | 900    | 2700   |
| 34    | TR1510-M2034M05301 | 56.0±0.30 | 52.40±0.15 | 26.20±0.15 | 900      | 900    | 2700   |
| 35    | TR1510-M2035M05301 | 56.0±0.30 | 52.40±0.15 | 26.20±0.15 | 900      | 900    | 2700   |
| 36    | TR1510-M2036M05301 | 56.0±0.30 | 52.40±0.15 | 26.20±0.15 | 900      | 900    | 2700   |
| 37    | TR1510-M2037M05301 | 56.0±0.30 | 52.40±0.15 | 26.20±0.15 | 900      | 900    | 2700   |
| 38    | TR1510-M2038M05301 | 56.0±0.30 | 52.40±0.15 | 26.20±0.15 | 900      | 900    | 2700   |
| 39    | TR1510-M2039M05301 | 56.0±0.30 | 52.40±0.15 | 26.20±0.15 | 900      | 900    | 2700   |
| 40    | TR1510-M2040M05301 | 56.0±0.30 | 52.40±0.15 | 26.20±0.15 | 900      | 900    | 2700   |
| 41    | TR1510-M2041M05301 | 56.0±0.30 | 52.40±0.15 | 26.20±0.15 | 900      | 900    | 2700   |
| 42    | TR1510-M2042M05301 | 56.0±0.30 | 52.40±0.15 | 26.20±0.15 | 900      | 900    | 2700   |
| 43    | TR1510-M2043M05301 | 56.0±0.30 | 52.40±0.15 | 26.20±0.15 | 900      | 900    | 2700   |
| 44    | TR1510-M2044M05301 | 56.0±0.30 | 52.40±0.15 | 26.20±0.15 | 900      | 900    | 2700   |
| 45    | TR1510-M2045M05301 | 56.0±0.30 | 52.40±0.15 | 26.20±0.15 | 900      | 900    | 2700   |
| 46    | TR1510-M2046M05301 | 72.0±0.30 | 68.40±0.15 | 34.20±0.15 | 900      | 900    | 2700   |
| 47    | TR1510-M2047M05301 | 72.0±0.30 | 68.40±0.15 | 34.20±0.15 | 900      | 900    | 2700   |
| 48    | TR1510-M2048M05301 | 72.0±0.30 | 68.40±0.15 | 34.20±0.15 | 900      | 900    | 2700   |
| 49    | TR1510-M2049M05301 | 72.0±0.30 | 68.40±0.15 | 34.20±0.15 | 900      | 900    | 2700   |
| 50    | TR1510-M2050M05301 | 72.0±0.30 | 68.40±0.15 | 34.20±0.15 | 900      | 900    | 2700   |



**No.4:**  
封箱, 打包, 贴标签。



**No.3:**  
将内箱装入外箱(3内箱/外箱)  
注意统一标签方向



**No.2:**  
将卷盘套上PE-32防水袋,  
放入1包干燥剂,  
真空机封口后装入内箱,  
用封箱胶封装好,并贴上标签。

变更  
记录

| 版次  | 日期         | 变更说明                     | 变更     | 核准      |
|-----|------------|--------------------------|--------|---------|
| REV | DATE       | MODIFICATION DESCRIPTION | CHANGE | APPROVE |
| A0  | 2021/07/01 | NEW                      | -----  | -----   |

|                    |            |               |            |       |     |
|--------------------|------------|---------------|------------|-------|-----|
| 工程图<br>ENGINEERING | 绘图<br>DRAW | 苏 珊           | 2021/07/01 | SCALE | FIT |
| X.X                | ±0.30      | 设计<br>DESIGN  |            | UNIT  | mm  |
| X.XX               | ±0.20      | 审核<br>CHECK   |            | SIZE  | A4  |
| X.XXX              | ±0.10      | 核准<br>APPROVE |            | SHEET | 1/1 |
| Angle              | ± 2'       |               |            | PROJ. | ☉   |
| DIM                | TOL        |               |            |       |     |

|  |  |                     |  |
|--|--|---------------------|--|
| 料号 PART NO.  |  | 1510-12XXXXM050CRXX |  |
|  |  | 品名 TITLE:           |  |
| 1.00 Pin Header, 2*XXP, SMT, W/T CAP&POST, H=1.0, L=5.0/5.0(0.1)/1.9, E=1.4 卷装规范 |  |                     |  |

# WCON

WCON ELECTRONICS (GUANGDONG) CO., LTD