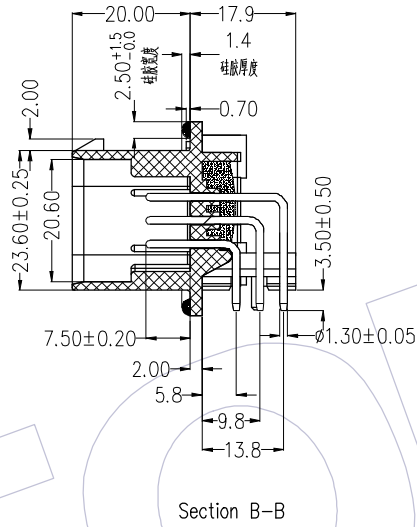
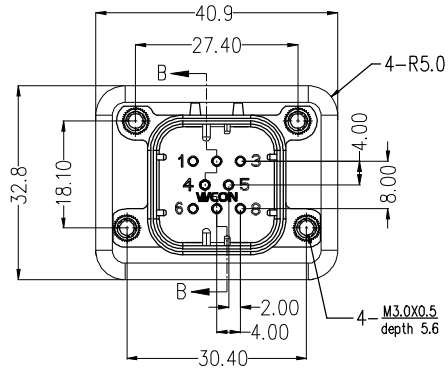


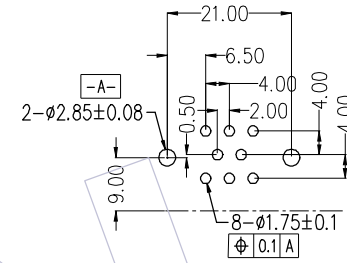
NOTES:

Rated Current: 5-8A
 Rated Voltage: 250V AC
 Contact Resistance: 10mΩ Max.
 Withstand Voltage: 1000V
 Insulation Resistance: 5000MΩ Min.
 Operation Temperature:
 Tin Plating: -40℃ to +125℃
 Gold Plating: -40℃ to +125℃

Contact Material: Copper Alloy
 Contact Plating: Sn or Au over Ni
 Main Body Material: PBT+30%GF White
 Waterproof grade: IP68/IP69K(After installation)



Recommended P.C.B Layout(Top Side)
 (PCB BOARD TOLERANCE±0.05 T=1.50mm)



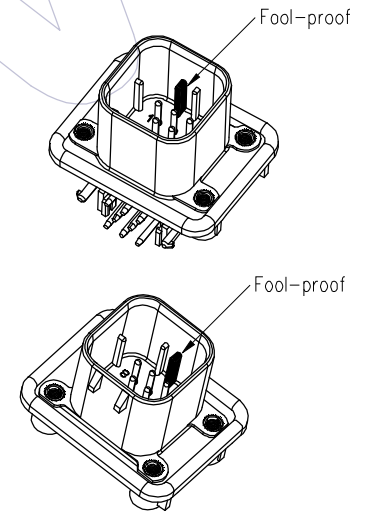
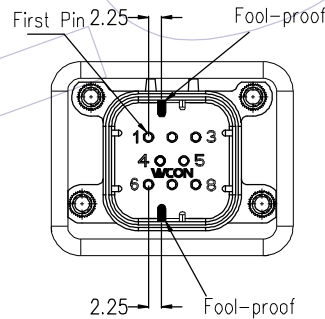
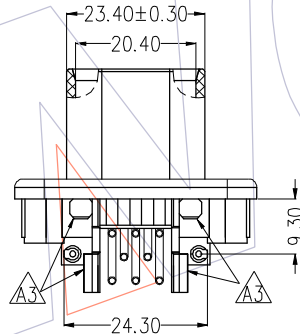
Ordering Information

74040-3MR 008 A B XX J A 2 W

Contact Material:
 B=Brass
A=Tray

Body Material:
 A=PBT

Contact Plating:
 G0=1u" Gold
 G3=10u" Gold
 SN=Sn
 SM=Matte Sn



Fool-proof Structure

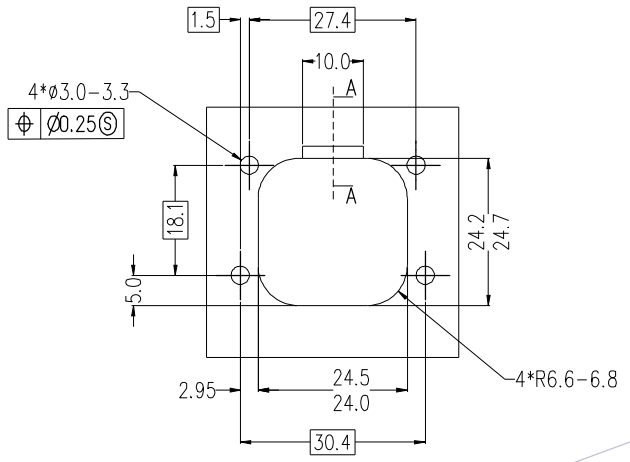
Matched Female Number
74040-3FC008AN00WA2W

A3	2022.06.08	Modify	OPERATION	DRAW	DATE	SCALE	1:1	PART NO.
A2	2020.08.03	Modify	X.X ±0.40	ZXC	2022.06.08	UNIT	mm	74040-3MR008ABXXJA2W
A1	2019.04.15	Modify	X.XX ±0.25	CHECK	DATE	SIZE	A4	TITLE: 8P 90° Three row automobile waterproof connector (Upgraded Version)
A0	2018.11.09	NEW	X.XXX ±0.15	APPROVE	DATE	SHEET	1/2	Customer NO.
REV	DATE	MODIFICATION DESCRIPTION	CHANGE	DIM	TOL	PROJ.		

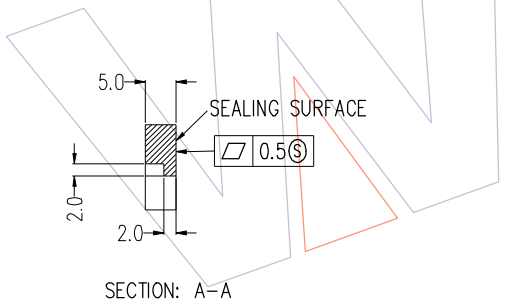
WCON
 Http: www.wcon.com

WCON-Dongguan
 Tel: +86 769 85358920
 Fax: +86 769 85358915
 E-mail: sales@wcon.com

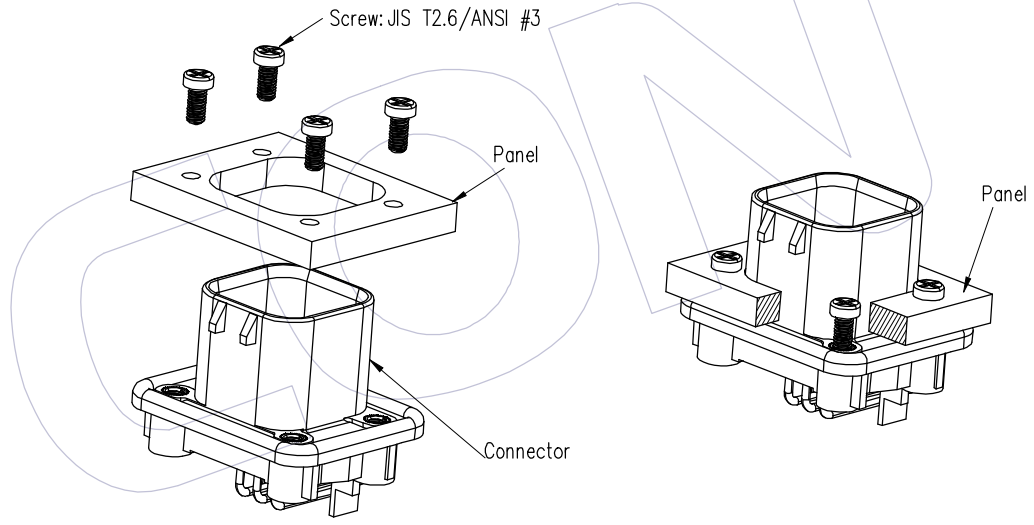
WCON-Kunshan
 Tel: +86 512 57468408
 Fax: +86 512 57468468
 E-mail: salesks@wcon.com



RECOMMENDED MOUNTING HOLE LAYOUT FOR 5.0 MAX THICK PANEL (8PIN)



OPTIONAL CONSTRUCTION IF PANEL THICKNESS IS GREATER THAN 2.0



Explosion View

A3	2022.06.08	Modify	OPERATION	DRAW	DATE	SCALE	1:1	PART NO.
A2	2020.08.03	Modify	x.x ±0.40	XSR	2022.06.08	UNIT	mm	74040-3MR008ABXXJA2W
A1	2019.04.15	Modify	x.xx ±0.25	CHECK	DATE	SIZE	A4	
A0	2018.11.09	NEW	x.xxx ±0.15	APPROVE	DATE	SHEET	2/2	TITLE: 8P 90° Three row automobile waterproof connector (Upgraded Version)
REV	DATE	MODIFICATION DESCRIPTION	CHANGE	Angle ± 3°	DATE	PROJ.		Customer NO.
				DIM TOL				

WCON

Http: www.wcon.com

WCON-Dongguan	WCON-Kunshan
Tel: +86 769 85358920	Tel: +86 512 57468408
Fax: +86 769 85358915	Fax: +86 512 57468468
E-mail: sales@wcon.com	E-mail: sales@wcon.com