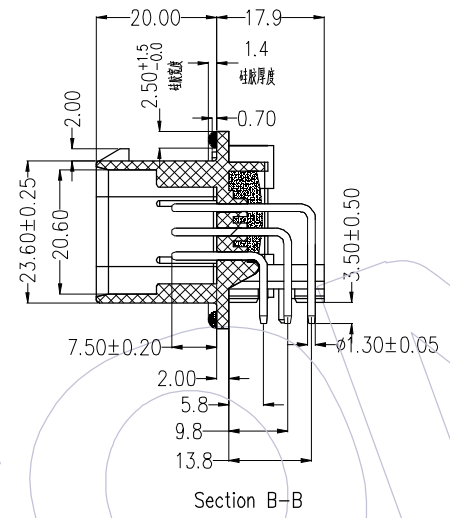
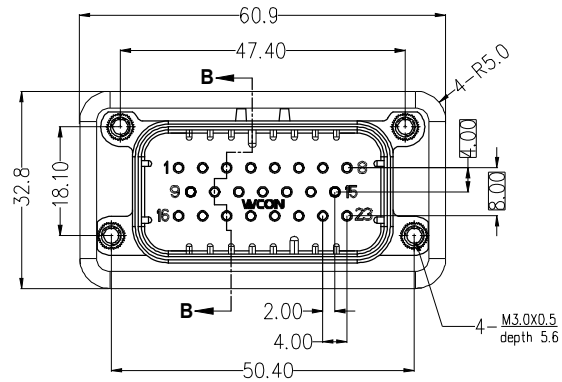
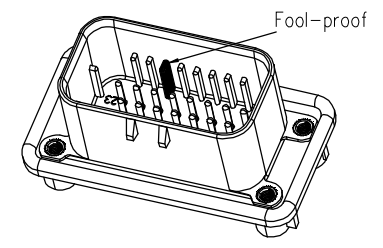
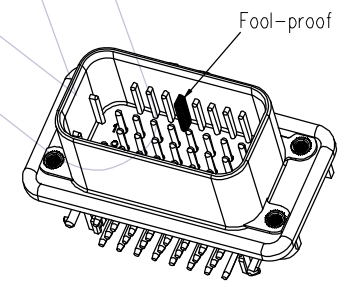
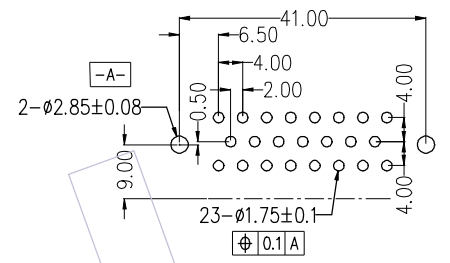


NOTES: 

Rated Current: 5-8A
 Rated Voltage: 250V AC
 Contact Resistance: 10mΩ Max.
 Withstand Voltage: 1000V
 Insulation Resistance: 5000MΩ Min.
 Operation Temperature:
 Tin Plating: -40℃ to +125℃
 Gold Plating: -40℃ to +125℃
 Contact Material: Copper Alloy
 Contact Plating: Sn or Au over Ni
 Main Body Material: PBT+30%GF Black
 Waterproof grade: IP68/IP69K(After installation)



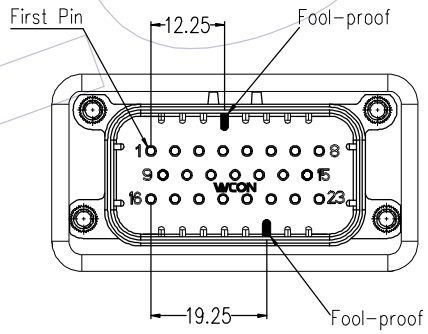
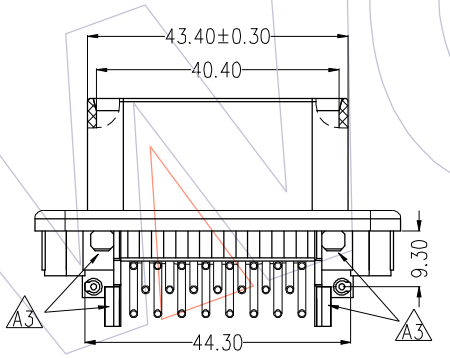
Recommended P.C.B Layout(Top Side)
 (PCB BOARD TOLERANCE±0.05 T=1.50mm)



Ordering Information


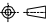
74040-3MR 023 A B XX J A 1 W

Contact Material:
 B=Brass
 A=Tray
 Body Material:
 A=PBT
 Contact Plating:
 G0=1u" Gold
 G3=10u" Gold
 SN=Sn
 SM=Matte Sn

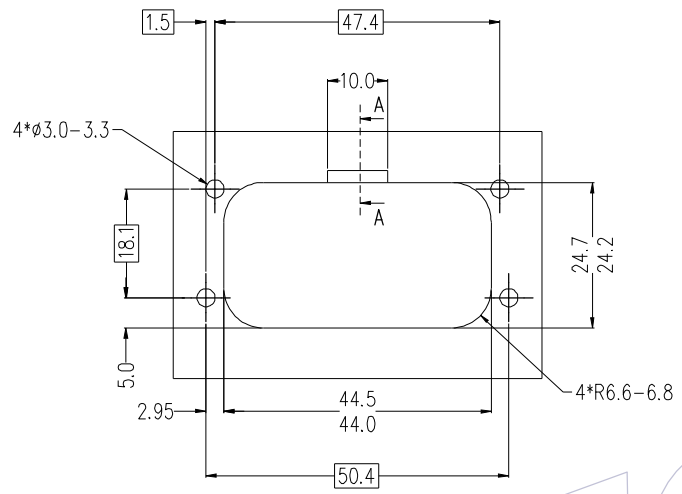


Fool-proof Structure

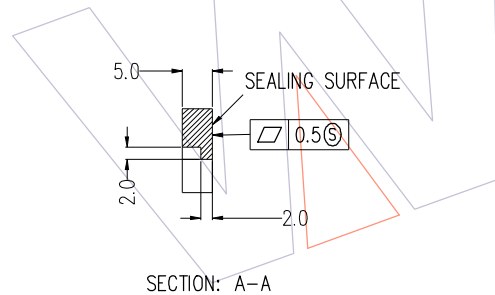
Matched Female Number
74040-3FC023AN00WA1W

A3	2022.06.08	Modify	OPERATION	DRAW	DATE	SCALE	1:1	PART NO.
A2	2020.08.03	Modify	x.x ±0.40	XSR	2022.06.08	UNIT	mm	74040-3MR023ABXXJA1W 
A1	2019.04.16	Modify	x.xx ±0.25	CHECK	DATE	SIZE	A4	TITLE: 23P 90° Three row automobile voterproof connector (Upgraded Version)
A0	2018.11.09	NEW	x.xxx ±0.15	APPROVE	DATE	SHEET	1/2	Customer NO.
REV	DATE	MODIFICATION DESCRIPTION	CHANGE	DIM TOL	DATE	PROJ.		

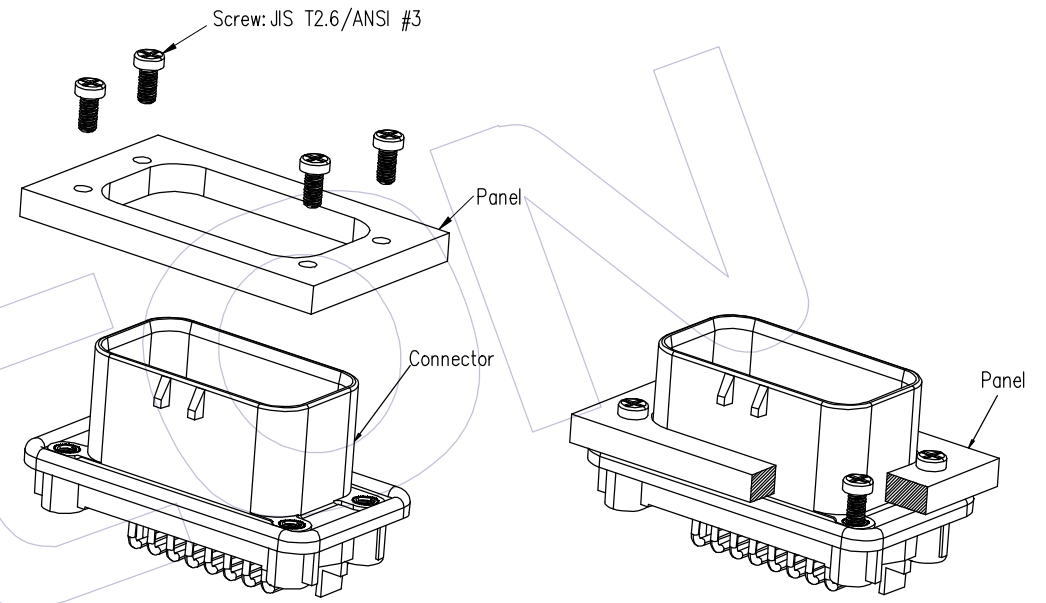
WCON
 Http: www.wcon.com
 WCON-Dongguan Tel: +86 769 85358920
 WCON-Kunshan Tel: +86 512 57468408
 Fax: +86 769 85358915
 Fax: +86 512 57468468
 E-mail: sales@wcon.com
 E-mail: salesks@wcon.com




RECOMMENDED MOUNTING HOLE LAYOUT FOR 5.0 MAX THICK PANEL (23PIN)



OPTIONAL CONSTRUCTION IF PANEL THICKNESS IS GREATER THAN 2.0



Explosion View

A3	2022.06.08	Modify	OPERATION	DRAW	DATE	SCALE	1:1	PART NO.	 Http: www.wcon.com WCON-Dongguan Tel: +86 769 85358920 WCON-Kunshan Tel: +86 512 57468408 Fax: +86 769 85358915 Fax: +86 512 57468468 E-mail: sales@wcon.com E-mail: salesks@wcon.com
A2	2020.08.03	Modify	x.x ±0.40	XSR	2022.06.08	UNIT	mm	TITLE: 23P 90° Three row automobile voaterproof connector (Upgraded Version)	
A1	2019.04.16	Modify	x.xx ±0.25	CHECK	DATE	SIZE	A4		
A0	2018.11.09	NEW	x.xxx ±0.15	APPROVE	DATE	SHEET	2/2	Customer NO.	
REV	DATE	MODIFICATION DESCRIPTION	CHANGE	DIM TOL		PROJ.			