

HSF

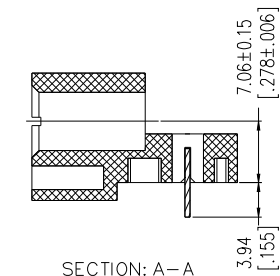
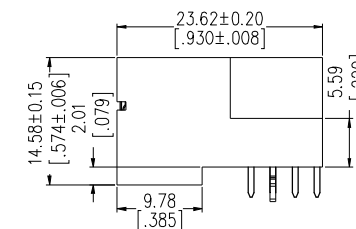
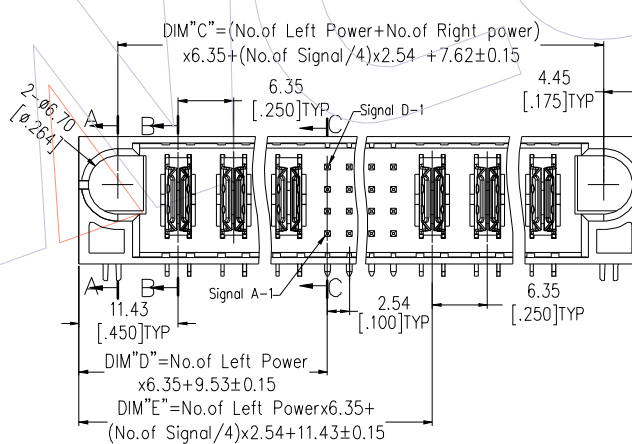
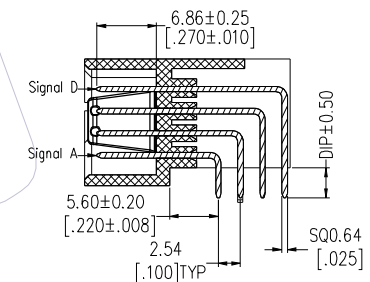
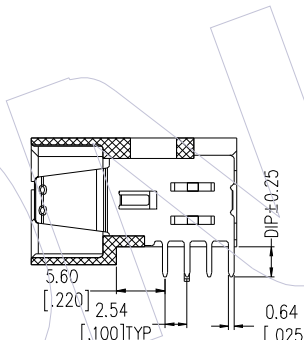
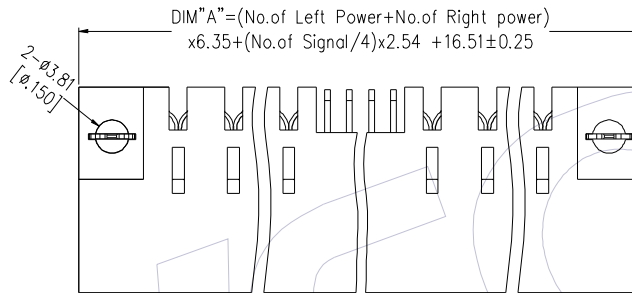
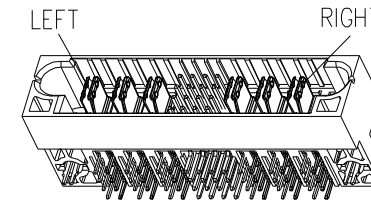
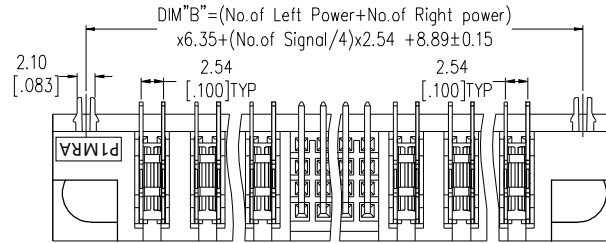
NOTES:

1. Insulator material: PA9T+33%G.F, UL94 V-0;
2. Terminal material: Copper Alloy;
Terminal Plating: Au/Sn Plated Over Nickel ;
3. Rated Voltage: Signal 50V; Power 600V
4. Rated Current: Power 40A Per Pin; Signal 2.5A;
5. Contact Resistance:
Power 0.7mΩ Max; Signal 20mΩ Max;
6. Insulation Resistance: DC500V
Power 10000MΩ Min; Signal 500MΩ Min;
7. Insulation Withstand Voltage:
Power 2500VAC/1min; Signal 1000VAC/1min ;
8. Durability :200 cycling;
9. Operation Temperature: -20°C to +105°C;

Ordering Information:

P1MRA - XX XX XX XX XX X X A I

No. Left Power: 01=1Pin 20=20Pin	No. Right Power: 01=1Pin 20=20Pin	Tail Options(DIP Type): A=3.43mm B=2.29mm C=4.19mm	Packing: A=Tray
No. Signal: 04=4Pin 08=8Pin A0=100Pin A1=104Pin B3=148Pin	Power Contact Plated: S3=10u" Gold /Tin S4=15u" Gold /Tin S5=30u" Gold /Tin W3=10u" Gold /Matte Tin W4=15u" Gold /Matte Tin W5=30u" Gold /Matte Tin	Signal Contact Plated: S3=10u" Gold /Tin S4=15u" Gold /Tin S5=30u" Gold /Tin W3=10u" Gold /Matte Tin W4=15u" Gold /Matte Tin W5=30u" Gold /Matte Tin	Fixed Mode: M: W/T Lock N: W/O Lock



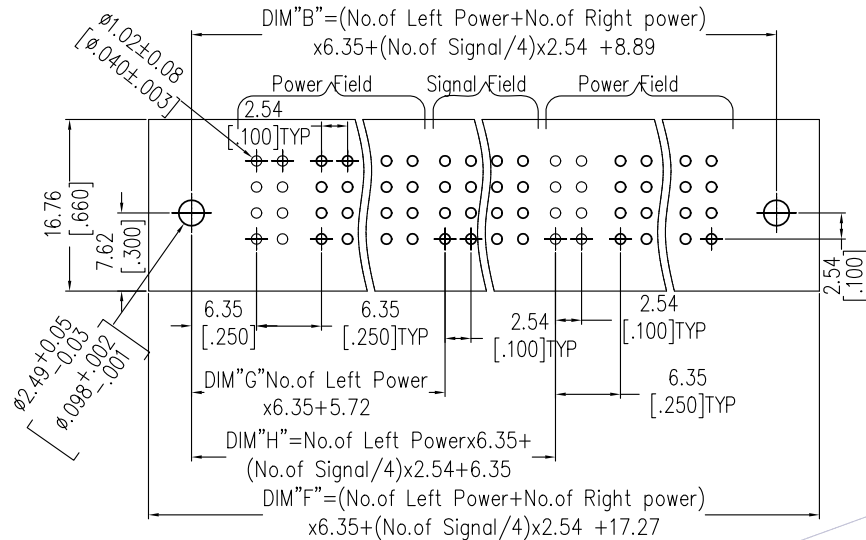
REV	DATE	MODIFICATION DESCRIPTION	CHANGE	OPERATION	DRAW	DATE	SCALE	FIT	PART NO.
A3	2019/04/15	Update surface	—	OPERATION	DRAW	2019/04/15	SCALE	FIT	P1MRA-XXXXXXXXXXA1
A2	2018/09/15	MODIFY DRAWING	—	x.x ±0.40	XSR	DATE	UNIT	mm	TITLE: PSP Spacing A 90° DIP MALE (TYPE-1: Power+2.54Signal+Power)
A1	2018/08/30	MODIFY P/N	—	x.xx ±0.25	CHECK	DATE	SIZE	inch	
A0	2018/07/30	NEW	—	x.xxx ±0.15	APPROVE	DATE	SHEET	1/5	Customer NO.
				Angle ± 3°			PROJ.		

WCON

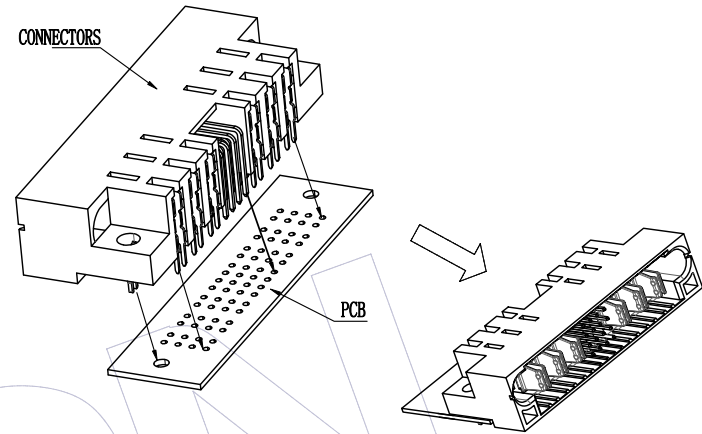
Http: www.wcon.com

WCON-Dongguan	WCON-Kunshan
Tel: +86 769 85358920	Tel: +86 512 57468408
Fax: +86 769 85358915	Fax: +86 512 57468468
E-mail: sales@wcon.com	E-mail: salesks@wcon.com

HSF



Recommended P.C.B Layout (Top Side)
(PCB BOARD TOLERANCE ± 0.05)

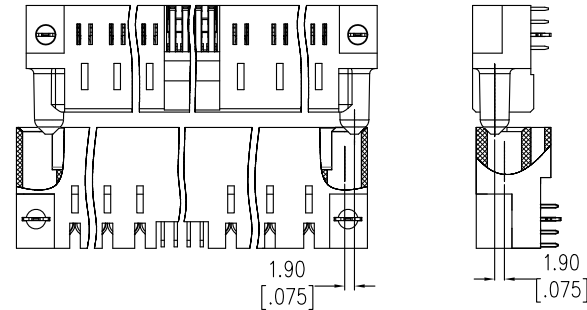
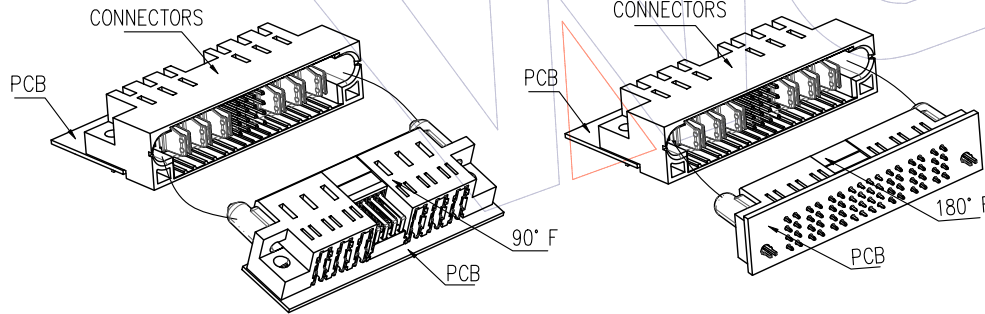


$\triangle A3$ PSP 90° DIP INSTALL CONNECTORS PCB

$\triangle A3$ Attempt to Match with 90° F

$\triangle A3$ Attempt to Match with 180° F

$\triangle A3$ Blind Mate Guide Ends
SCALE: 1:2



A3	2019/04/15	Update surface	—	OPERATION	DRAW	DATE	SCALE	FIT	PART NO.
A2	2018/09/15	MODIFY DRAWING	—	x.x ± 0.40	XSR	2019/04/15	UNIT	mm	P1MRA-XXXXXXXXXXA1 $\triangle A1$
A1	2018/08/30	MODIFY P/N	—	x.xx ± 0.25	CHECK	DATE	SIZE	inch	TITLE:
A0	2018/07/30	NEW	—	x.xxx ± 0.15	APPROVE	DATE	SHEET	2/5	PSP Spacing A 90° DIP MALE $\triangle A1$ (TYPE-1: Power+2.54Signal+Power)
REV	DATE	MODIFICATION DESCRIPTION	CHANGE	Angle $\pm 3^\circ$ DIM TOL			PROJ.	ϕ	Customer NO.

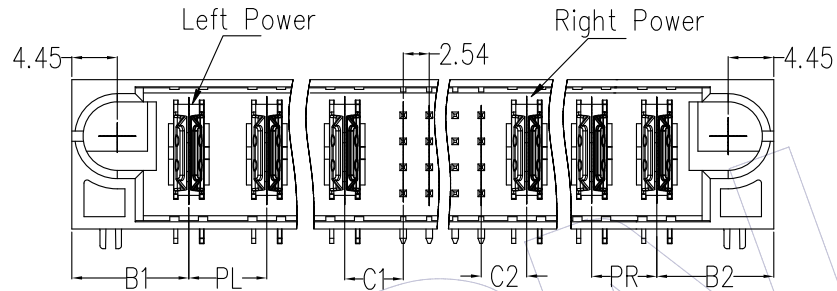
WCON

Http: www.wcon.com

WCON-Dongguan WCON-Kunshan
 Tel: +86 769 85358920 Tel: +86 512 57468408
 Fax: +86 769 85358915 Fax: +86 512 57468468
 E-mail: sales@wcon.com E-mail: salesks@wcon.com

HSF

Schematic diagram of terminal spacing



A3

Ordering Information:

P1 MR A-XX XX XX XX XX X X A 1

See table "Spec code"

A3

Spec code	Terminal spacing size					
	B1	PL	C1	C2	PR	B2
A	11.43	6.35	4.45	4.45	6.35	11.43
B	11.43	6.35	4.45	5.72	6.35	11.43
C	11.43	6.35	4.45	4.45	7.62	12.07
D	12.07	7.62	5.08	5.08	7.62	12.07
E	12.07	7.62	5.08	4.45	6.35	11.43
F	11.43	7.62	5.72	4.45	6.35	11.43

A3	2019/04/15	Update surface	—	OPERATION	DRAW	DATE	SCALE	FIT	PART NO. P1MRA-XXXXXXXXXXA1
A2	2018/09/15	MODIFY DRAWING	—	x.x ±0.40	XSR	2019/04/15	UNIT	mm	
A1	2018/08/30	MODIFY P/N	—	x.xx ±0.25	CHECK	DATE	SIZE	A4	TITLE: PSP Spacing A 90° DIP MALE (TYPE-1: Power+2.54Signal+Power)
A0	2018/07/30	NEW	—	x.xxx ±0.15	APPROVE	DATE	SHEET	3/5	
REV	DATE	MODIFICATION DESCRIPTION	CHANGE	Angle DIM TOL ± 3'			PROJ.		Customer NO.

WCON

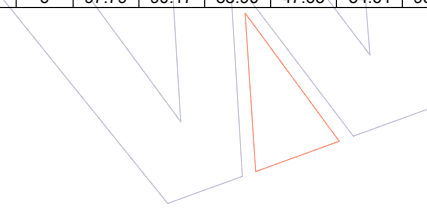
Http: www.wcon.com

WCON-Dongguan Tel: +86 769 85358920 Fax: +86 769 85358915 E-mail: sales@wcon.com	WCON-Kunshan Tel: +86 512 57468408 Fax: +86 512 57468468 E-mail: salesks@wcon.com
---	--



Product Data Sheet

No.	P/N	No. Left Power	No. Signal	No. Right Power	DIM "A"	DIM "B"	DIM "C"	DIM "D"	DIM "E"	DIM "F"	DIM "G"	DIM "H"	No.	P/N	No. Left Power	No. Signal	No. Right Power	DIM "A"	DIM "B"	DIM "C"	DIM "D"	DIM "E"	DIM "F"	DIM "G"	DIM "H"
1	P1MRA-112003XXXXXXA1	11	20	3	118.11	110.49	109.22	79.38	93.98	118.87	75.57	88.90	31	P1MRA-053205XXXXXXA1	5	32	5	100.33	92.71	91.44	41.28	63.50	101.09	37.47	58.42
2	P1MRA-108410XXXXXXA1	10	84	10	196.85	189.23	187.96	73.03	128.27	197.61	69.22	123.19	32	P1MRA-052410XXXXXXA1	5	24	10	127.00	119.38	118.11	41.28	58.42	127.76	37.47	53.34
3	P1MRA-103210XXXXXXA1	10	32	10	163.83	156.21	154.94	73.03	95.25	164.59	69.22	90.17	33	P1MRA-052405XXXXXXA1	5	24	5	95.25	87.63	86.36	41.28	58.42	96.01	37.47	53.34
4	P1MRA-103206XXXXXXA1	10	32	6	138.43	130.81	129.54	73.03	95.25	139.19	69.22	90.17	34	P1MRA-052404XXXXXXA1	5	24	4	88.90	81.28	80.01	41.28	58.42	89.66	37.47	53.34
5	P1MRA-102006XXXXXXA1	10	20	6	130.81	123.19	121.92	73.03	87.63	131.57	69.22	82.55	35	P1MRA-052403XXXXXXA1	5	24	3	82.55	74.93	73.66	41.28	58.42	83.31	37.47	53.34
6	P1MRA-093204XXXXXXA1	9	32	4	119.38	111.76	110.49	66.68	88.90	120.14	62.87	83.82	36	P1MRA-052002XXXXXXA1	5	20	2	73.66	66.04	64.77	41.28	55.88	74.42	37.47	50.80
7	P1MRA-092409XXXXXXA1	9	24	9	146.05	138.43	137.16	66.68	83.82	146.81	62.87	78.74	37	P1MRA-050805XXXXXXA1	5	8	5	85.09	77.47	76.20	41.28	48.26	85.85	37.47	43.18
8	P1MRA-086010XXXXXXA1	8	60	10	168.91	161.29	160.02	60.33	100.33	169.67	56.52	95.25	38	P1MRA-04A004XXXXXXA1	4	100	4	130.81	123.19	121.92	34.93	100.33	131.57	31.12	95.25
9	P1MRA-083208XXXXXXA1	8	32	8	138.43	130.81	129.54	60.33	82.55	139.19	56.52	77.47	39	P1MRA-048004XXXXXXA1	4	80	4	118.11	110.49	109.22	34.93	87.63	118.87	31.12	82.55
10	P1MRA-082408XXXXXXA1	8	24	8	133.35	125.73	124.46	60.33	77.47	134.11	56.52	72.39	40	P1MRA-045604XXXXXXA1	4	56	4	102.87	95.25	93.98	34.93	72.39	103.63	31.12	67.31
11	P1MRA-082008XXXXXXA1	8	20	8	130.81	123.19	121.92	60.33	74.93	131.57	56.52	69.85	41	P1MRA-044804XXXXXXA1	4	48	4	97.79	90.17	88.90	34.93	67.31	98.55	31.12	62.23
12	P1MRA-073207XXXXXXA1	7	32	7	125.73	118.11	116.84	53.98	76.20	126.49	50.17	71.12	42	P1MRA-044004XXXXXXA1	4	40	4	92.71	85.09	83.82	34.93	62.23	93.47	31.12	57.15
13	P1MRA-073206XXXXXXA1	7	32	6	119.38	111.76	110.49	53.98	76.20	120.14	50.17	71.12	43	P1MRA-043204XXXXXXA1	4	32	4	87.63	80.01	78.74	34.93	57.15	88.39	31.12	52.07
14	P1MRA-072807XXXXXXA1	7	28	7	123.19	115.57	114.30	53.98	73.66	123.95	50.17	68.58	44	P1MRA-042804XXXXXXA1	4	28	4	85.09	77.47	76.20	34.93	54.61	85.85	31.12	49.53
15	P1MRA-072407XXXXXXA1	7	24	7	120.65	113.03	111.76	53.98	71.12	121.41	50.17	66.04	45	P1MRA-042408XXXXXXA1	4	24	8	107.95	100.33	99.06	34.93	52.07	108.71	31.12	46.99
16	P1MRA-071607XXXXXXA1	7	16	7	115.57	107.95	106.68	53.98	66.04	116.33	50.17	60.96	46	P1MRA-042406XXXXXXA1	4	24	6	95.25	87.63	86.36	34.93	52.07	96.01	31.12	46.99
17	P1MRA-066006XXXXXXA1	6	60	6	130.81	123.19	121.92	47.63	87.63	131.57	43.82	82.55	47	P1MRA-042405XXXXXXA1	4	24	5	88.90	81.28	80.01	34.93	52.07	89.66	31.12	46.99
18	P1MRA-063204XXXXXXA1	6	32	4	100.33	92.71	91.44	47.63	69.85	101.09	43.82	64.77	48	P1MRA-042404XXXXXXA1	4	24	4	82.55	74.93	73.66	34.93	52.07	83.31	31.12	46.99
19	P1MRA-062808XXXXXXA1	6	28	8	123.19	115.57	114.30	47.63	67.31	123.95	43.82	62.23	49	P1MRA-042403XXXXXXA1	4	24	3	76.20	68.58	67.31	34.93	52.07	76.96	31.12	46.99
20	P1MRA-062807XXXXXXA1	6	28	7	116.84	109.22	107.95	47.63	67.31	117.60	43.82	62.23	50	P1MRA-042402XXXXXXA1	4	24	2	69.85	62.23	60.96	34.93	52.07	70.61	31.12	46.99
21	P1MRA-062804XXXXXXA1	6	28	4	97.79	90.17	88.90	47.63	67.31	98.55	43.82	62.23	51	P1MRA-042004XXXXXXA1	4	20	4	80.01	72.39	71.12	34.93	49.53	80.77	31.12	44.45
22	P1MRA-062406XXXXXXA1	6	24	6	107.95	100.33	99.06	47.63	64.77	108.71	43.82	59.69	52	P1MRA-042003XXXXXXA1	4	20	3	73.66	66.04	64.77	34.93	49.53	74.42	31.12	44.45
23	P1MRA-062405XXXXXXA1	6	24	5	101.60	93.98	92.71	47.63	64.77	102.36	43.82	59.69	53	P1MRA-042002XXXXXXA1	4	20	2	67.31	59.69	58.42	34.93	49.53	68.07	31.12	44.45
24	P1MRA-062404XXXXXXA1	6	24	4	95.25	87.63	86.36	47.63	64.77	96.01	43.82	59.69	54	P1MRA-041604XXXXXXA1	4	16	4	77.47	69.85	68.58	34.93	46.99	78.23	31.12	41.91
25	P1MRA-062005XXXXXXA1	6	20	5	99.06	91.44	90.17	47.63	62.23	99.82	43.82	57.15	55	P1MRA-041603XXXXXXA1	4	16	3	71.12	63.50	62.23	34.93	46.99	71.88	31.12	41.91
26	P1MRA-061604XXXXXXA1	6	16	4	90.17	82.55	81.28	47.63	59.69	90.93	43.82	54.61	56	P1MRA-041602XXXXXXA1	4	16	2	64.77	57.15	55.88	34.93	46.99	65.53	31.12	41.91
27	P1MRA-061603XXXXXXA1	6	16	3	83.82	76.20	74.93	47.63	59.69	84.58	43.82	54.61	57	P1MRA-041204XXXXXXA1	4	12	4	74.93	67.31	66.04	34.93	44.45	75.69	31.12	39.37
28	P1MRA-061602XXXXXXA1	6	16	2	77.47	69.85	68.58	47.63	59.69	78.23	43.82	54.61	58	P1MRA-041202XXXXXXA1	4	12	2	62.23	54.61	53.34	34.93	44.45	62.99	31.12	39.37
29	P1MRA-061601XXXXXXA1	6	16	1	71.12	63.50	62.23	47.63	59.69	71.88	43.82	54.61	59	P1MRA-040804XXXXXXA1	4	8	4	72.39	64.77	63.50	34.93	41.91	73.15	31.12	36.83
30	P1MRA-060806XXXXXXA1	6	8	6	97.79	90.17	88.90	47.63	54.61	98.55	43.82	49.53	60	P1MRA-03A702XXXXXXA1	3	128	3	135.89	128.27	127.00	28.58	111.76	136.65	24.77	106.68

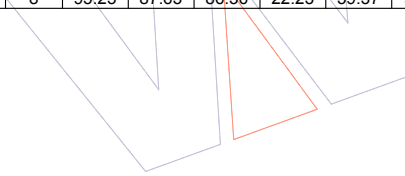


A3	2019/04/15	Update surface	—	OPERATION	DRAW	DATE	SCALE	FIT	PART NO.	 Http: www.wcon.com WCON-Dongguan Tel: +86 769 85358920 WCON-Kunshan Tel: +86 512 57468408 Fax: +86 769 85358915 E-mail: sales@wcon.com
A2	2018/09/15	MODIFY DRAWING	—	x.x ±0.40	XSR	2019/04/15	UNIT	mm	TITLE: PSP Spacing A 90° DIP MALE (TYPE-1: Power+2.54Signal+Power)	
A1	2018/08/30	MODIFY P/N	—	x.xx ±0.25	CHECK	DATE	SIZE	A4		
A0	2018/07/30	NEW	—	x.xxx ±0.15	APPROVE	DATE	SHEET	4/5	Customer NO.	
REV	DATE	MODIFICATION DESCRIPTION	CHANGE	Angle ± 3° DIM TOL			PROJ.			



Product Data Sheet

No.	P/N	No. Left Power	No. Signal	No. Right Power	DIM "A"	DIM "B"	DIM "C"	DIM "D"	DIM "E"	DIM "F"	DIM "G"	DIM "H"	No.	P/N	No. Left Power	No. Signal	No. Right Power	DIM "A"	DIM "B"	DIM "C"	DIM "D"	DIM "E"	DIM "F"	DIM "G"	DIM "H"
61	P1MRA-03A502XXXXXXA1	3	120	3	130.81	123.19	121.92	28.58	106.68	131.57	24.77	101.60	91	P1MRA-022404XXXXXXA1	2	24	4	69.85	62.23	60.96	22.23	39.37	70.61	18.42	34.29
62	P1MRA-036802XXXXXXA1	3	68	2	91.44	83.82	82.55	28.58	73.66	92.20	24.77	68.58	92	P1MRA-022403XXXXXXA1	2	24	3	63.50	55.88	54.61	22.23	39.37	64.26	18.42	34.29
63	P1MRA-036402XXXXXXA1	3	64	2	88.90	81.28	80.01	28.58	71.12	89.66	24.77	66.04	93	P1MRA-022402XXXXXXA1	2	24	2	57.15	49.53	48.26	22.23	39.37	57.91	18.42	34.29
64	P1MRA-033603XXXXXXA1	3	36	3	77.47	69.85	68.58	28.58	53.34	78.23	24.77	48.26	94	P1MRA-022002XXXXXXA1	2	20	2	54.61	46.99	45.72	22.23	36.83	55.37	18.42	31.75
65	P1MRA-033203XXXXXXA1	3	32	3	74.93	67.31	66.04	28.58	50.80	75.69	24.77	45.72	95	P1MRA-021606XXXXXXA1	2	16	6	77.47	69.85	68.58	22.23	34.29	78.23	18.42	29.21
66	P1MRA-032803XXXXXXA1	3	28	3	72.39	64.77	63.50	28.58	48.26	73.15	24.77	43.18	96	P1MRA-021604XXXXXXA1	2	16	4	64.77	57.15	55.88	22.23	34.29	65.53	18.42	29.21
67	P1MRA-032408XXXXXXA1	3	24	8	101.60	93.98	92.71	28.58	45.72	102.36	24.77	40.64	97	P1MRA-021602XXXXXXA1	2	16	2	52.07	44.45	43.18	22.23	34.29	52.83	18.42	29.21
68	P1MRA-032406XXXXXXA1	3	24	6	88.90	81.28	80.01	28.58	45.72	89.66	24.77	40.64	98	P1MRA-021205XXXXXXA1	2	12	5	68.58	60.96	59.69	22.23	31.75	69.34	18.42	26.67
69	P1MRA-032403XXXXXXA1	3	24	3	69.85	62.23	60.96	28.58	45.72	70.61	24.77	40.64	99	P1MRA-021202XXXXXXA1	2	12	2	49.53	41.91	40.64	22.23	31.75	50.29	18.42	26.67
70	P1MRA-032005XXXXXXA1	3	20	5	80.01	72.39	71.12	28.58	43.18	80.77	24.77	38.10	100	P1MRA-021201XXXXXXA1	2	12	1	43.18	35.56	34.29	22.23	31.75	43.94	18.42	26.67
71	P1MRA-032003XXXXXXA1	3	20	3	67.31	59.69	58.42	28.58	43.18	68.07	24.77	38.10	101	P1MRA-020802XXXXXXA1	2	8	2	46.99	39.37	38.10	22.23	29.21	47.75	18.42	24.13
72	P1MRA-031603XXXXXXA1	3	16	3	64.77	57.15	55.88	28.58	40.64	65.53	24.77	35.56	102	P1MRA-020801XXXXXXA1	2	8	1	40.64	33.02	31.75	22.23	29.21	41.40	18.42	24.13
73	P1MRA-031602XXXXXXA1	3	16	2	58.42	50.80	49.53	28.58	40.64	59.18	24.77	35.56	103	P1MRA-020402XXXXXXA1	2	4	2	44.45	36.83	35.56	22.23	26.67	45.21	18.42	21.59
74	P1MRA-031203XXXXXXA1	3	12	3	62.23	54.61	53.34	28.58	38.10	62.99	24.77	33.02	104	P1MRA-018001XXXXXXA1	1	80	1	80.01	72.39	71.12	15.88	68.58	80.77	12.07	63.50
75	P1MRA-030804XXXXXXA1	3	8	4	66.04	58.42	57.15	28.58	35.56	66.80	24.77	30.48	105	P1MRA-017201XXXXXXA1	1	72	1	74.93	67.31	66.04	15.88	63.50	75.69	12.07	58.42
76	P1MRA-030803XXXXXXA1	3	8	3	59.69	52.07	50.80	28.58	35.56	60.45	24.77	30.48	106	P1MRA-016402XXXXXXA1	1	64	2	76.20	68.58	67.31	15.88	58.42	76.96	12.07	53.34
77	P1MRA-030801XXXXXXA1	3	8	1	46.99	39.37	38.10	28.58	35.56	47.75	24.77	30.48	107	P1MRA-016001XXXXXXA1	1	60	1	67.31	59.69	58.42	15.88	55.88	68.07	12.07	50.80
78	P1MRA-030403XXXXXXA1	3	4	3	57.15	49.53	48.26	28.58	33.02	57.91	24.77	27.94	108	P1MRA-014801XXXXXXA1	1	48	1	59.69	52.07	50.80	15.88	48.26	60.45	12.07	43.18
79	P1MRA-029602XXXXXXA1	2	96	2	102.87	95.25	93.98	22.23	85.09	103.63	18.42	80.01	109	P1MRA-014401XXXXXXA1	1	44	1	57.15	49.53	48.26	15.88	45.72	57.91	12.07	40.64
80	P1MRA-028002XXXXXXA1	2	80	2	92.71	85.09	83.82	22.23	74.93	93.47	18.42	69.85	110	P1MRA-014002XXXXXXA1	1	40	2	60.96	53.34	52.07	15.88	43.18	61.72	12.07	38.10
81	P1MRA-027202XXXXXXA1	2	72	2	87.63	80.01	78.74	22.23	69.85	88.39	18.42	64.77	111	P1MRA-014001XXXXXXA1	1	40	1	54.61	46.99	45.72	15.88	43.18	55.37	12.07	38.10
82	P1MRA-026802XXXXXXA1	2	68	2	85.09	77.47	76.20	22.23	67.31	85.85	18.42	62.23	112	P1MRA-013601XXXXXXA1	1	36	1	52.07	44.45	43.18	15.88	40.64	52.83	12.07	35.56
83	P1MRA-026002XXXXXXA1	2	60	2	80.01	72.39	71.12	22.23	62.23	80.77	18.42	57.15	113	P1MRA-013201XXXXXXA1	1	32	1	49.53	41.91	40.64	15.88	38.10	50.29	12.07	33.02
84	P1MRA-024802XXXXXXA1	2	48	2	72.39	64.77	63.50	22.23	54.61	73.15	18.42	49.53	114	P1MRA-012401XXXXXXA1	1	24	1	44.45	36.83	35.56	15.88	33.02	45.21	12.07	27.94
85	P1MRA-024002XXXXXXA1	2	40	2	67.31	59.69	58.42	22.23	49.53	68.07	18.42	44.45	115	P1MRA-012001XXXXXXA1	1	20	1	41.91	34.29	33.02	15.88	30.48	42.67	12.07	25.40
86	P1MRA-023206XXXXXXA1	2	32	6	87.63	80.01	78.74	22.23	44.45	88.39	18.42	39.37	116	P1MRA-011601XXXXXXA1	1	16	1	39.37	31.75	30.48	15.88	27.94	40.13	12.07	22.86
87	P1MRA-023202XXXXXXA1	2	32	2	62.23	54.61	53.34	22.23	44.45	62.99	18.42	39.37	117	P1MRA-011201XXXXXXA1	1	12	1	36.83	29.21	27.94	15.88	25.40	37.59	12.07	20.32
88	P1MRA-022814XXXXXXA1	2	28	14	135.89	128.27	127.00	22.23	41.91	136.65	18.42	36.83	118	P1MRA-010802XXXXXXA1	1	8	2	40.64	33.02	31.75	15.88	22.86	41.40	12.07	17.78
89	P1MRA-022802XXXXXXA1	2	28	2	59.69	52.07	50.80	22.23	41.91	60.45	18.42	36.83	119	P1MRA-010801XXXXXXA1	1	8	1	34.29	26.67	25.40	15.88	22.86	35.05	12.07	17.78
90	P1MRA-022408XXXXXXA1	2	24	8	95.25	87.63	86.36	22.23	39.37	96.01	18.42	34.29	120	P1MRA-010401XXXXXXA1	1	4	1	31.75	24.13	22.86	15.88	20.32	32.51	12.07	15.24



A3	2019/04/15	Update surface	—	OPERATION	DRAW	DATE	SCALE	FIT	PART NO.	 Http://www.wcon.com
A2	2018/09/15	MODIFY DRAWING	—	x.x ±0.40	XSR	2019/04/15	UNIT	mm	P1MRA-XXXXXXXXXXA1	
A1	2018/08/30	MODIFY P/N	—	x.xx ±0.25	CHECK	DATE	SIZE	A4		
A0	2018/07/30	NEW	—	x.xxx ±0.15	APPROVE	DATE	SHEET	5/5	Customer NO.	
REV	DATE	MODIFICATION DESCRIPTION	CHANGE	Angle ± 3°	DIM TOL		PROJ.			WCON-Dongguan Tel: +86 769 85358920 Fax: +86 769 85358915 E-mail: sales@wcon.com WCON-Kunshan Tel: +86 512 57468408 Fax: +86 512 57468468 E-mail: salesks@wcon.com