

HSF

TECHNICAL SPECS:

Current Rating: 3.0AMP

Contact Resistance: 10m Ω Max

Dielectric Strength: Min 1000Vrms

Mechanical Life: Min 500 cycles

Operation Temperature: -40°C to +105°C

Sleeve: Brass CuZn36Pb3(C36000)

Contact plating: Au over Ni

Connecting Pin: φ0.50mm

Insulator Material: PPS+30%G.F(Ul94V-0)

Ordering Information

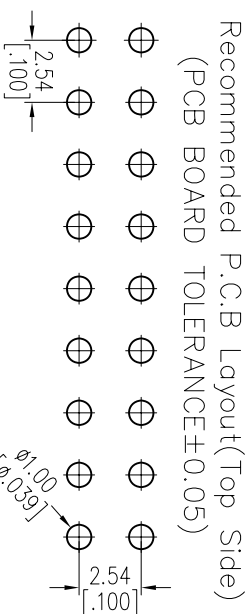
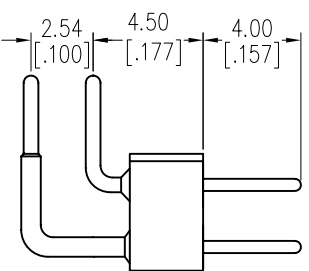
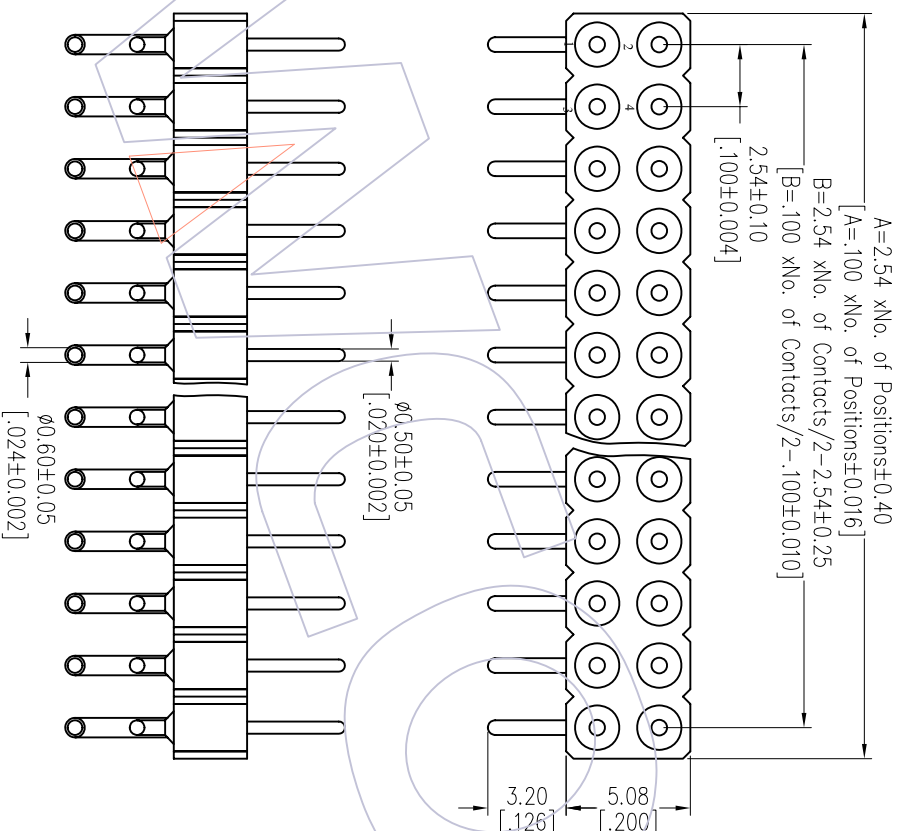
3510-302 XX R XX 127 X 1

No. of Pin
2-50PIN

Contact Plating
G0=Gold Flash
G3=10u"Gold
G4=15u"Gold
G5=30u"Gold

Packaging
A=Tray
T=Tube

Item	Pitch	Mating
Standard	2.54	3520
Alternate		



OPERATION		DRAW		DATE		SCALE		FIT		PART NO.	
XX	±0.40	JYHuang		2012/10/22		mm				3510-302XXXXX127X1	
CHECK		DATE		TITLE:		SHEET		PROJ.		Customer NO.	
X.XXX	±0.15			2.54mm MACHINED PIN HEADER DUAL ROW 90° H=3.00 L=12.75	1/1						
ANGLE		APPROVE		DATE		SHEET		PROJ.		Customer NO.	
X.XXX	± 3'										
CHANGE		DATE		TITLE:		SHEET		PROJ.		Customer NO.	

MODIFICATION DESCRIPTION		DATE		TITLE:		SHEET		PROJ.		Customer NO.	
NEW											
DATE		DATE		TITLE:		SHEET		PROJ.		Customer NO.	
2012/10/22											
REV		DATE		TITLE:		SHEET		PROJ.		Customer NO.	
A0											

WCON

Http: www.wcon.com

WCON-Dongguan

Tel: +86 769 85358920

Fax: +86 769 85358915

E-mail: sales@wcon.com

WCON-Kunshan

Tel: +86 512 57468408

Fax: +86 512 57468468

E-mail: sales@wcon.com