

# HSF

## TECHNICAL SPECS:

Current Rating: 3.0AMP  
 Contact Resistance: 10mΩ Max  
 Dielectric Strength: Min 1000VRMS  
 Mechanical Life: Min 500 cycles  
 Mating Pin:  $\phi 0.40$  to  $\phi 0.56$ mm  
 Forces: (polished steel gauge  $\phi 0.47$ mm)  
 Insertion: 200g Max/Pin, Withdrawal: 60g Min/Pin  
 Operation Temperature:  $-40^{\circ}\text{C}$  to  $+105^{\circ}\text{C}$

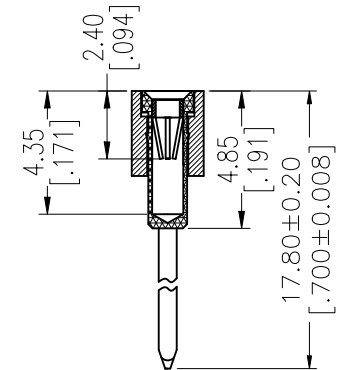
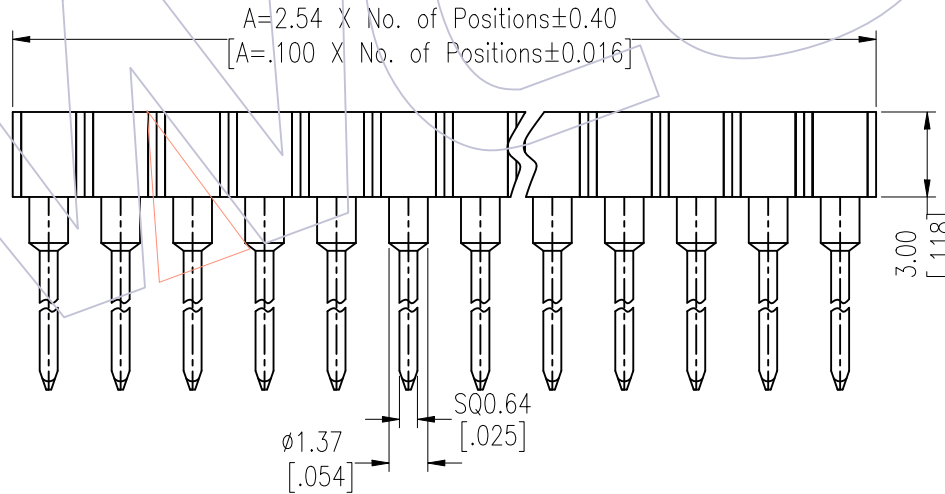
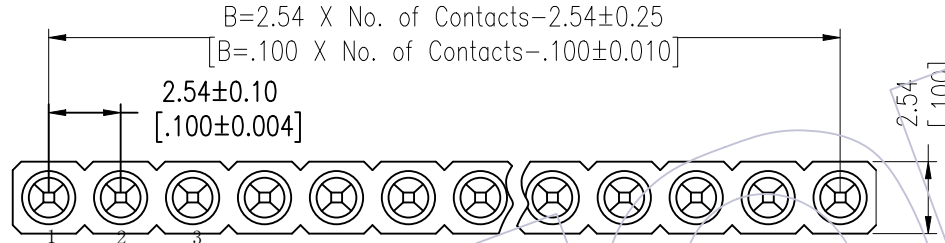
Sleeve: Brass CuZn36Pb3(C36000)  
 Contact Clip(4 finger): BeCu(C17200)  
 Insulator Material: PPS+30%G.F.(UL94V-0)

## Ordering Information

3520-301 XX S XX 178 X 1

No. of Pin 2-50PIN	Contact Plating S0=Gold Flash/Tin S3=10u"Gold/Tin S4=15u"Gold/Tin S5=30u"Gold/Tin SN=Tin	Packing A=Tray T=Tube
-----------------------	---	-----------------------------

Recommended P.C.B Layout(Top Side)  
 (PCB BOARD TOLERANCE  $\pm 0.05$ )



Item	Pitch	Mating
Standard	2.54	3510
Alternate		

REV	DATE	MODIFICATION DESCRIPTION	CHANGE	OPERATION	DRAW	DATE	SCALE	FIT	PART NO.
A0	2012/10/18	NEW	-----	x.x ±0.40	JYHuang	2012/10/18	UNIT mm		3520-301XXSXX178X1
				x.xx ±0.25	CHECK	DATE	SIZE A4		TITLE:
				x.xxx ±0.15	APPROVE	DATE	SHEET 1/1		2.54mm MACHINED FEMALE HEADER
				Angle ± 3'			PROJ. $\phi$		SINGLE ROW 180° H=3.00 L=17.8 SQUARE PIN
				DIM TOL					Customer NO.

# WCON

Http: www.wcon.com

WCON-Dongguan	WCON-Kunshan
Tel: +86 769 85358920	Tel: +86 512 57468408
Fax: +86 769 85358915	Fax: +86 512 57468468
E-mail: sales@wcon.com	E-mail: salesks@wcon.com