

HSF

TECHNICAL SPECS:

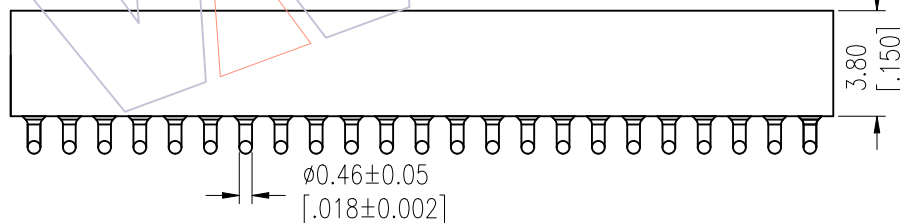
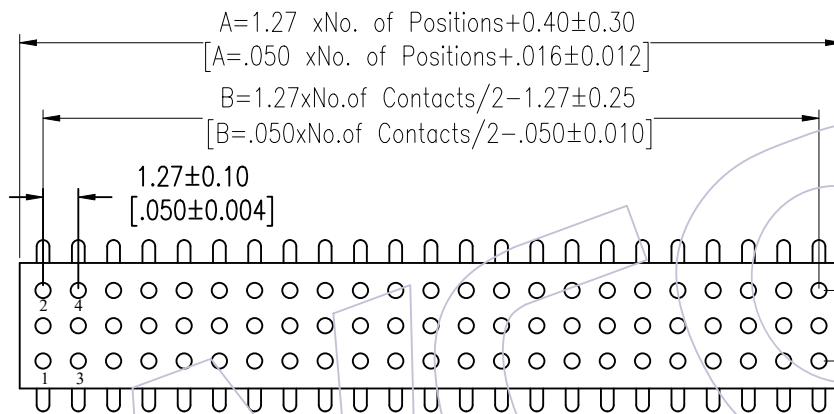
Current Rating: 1.0AMP
 Contact Resistance: 10mΩ Max
 Dielectric Strength: Min 500Vrms
 Mechanical Life: Min 500 cycles
 Mating Pin: Ø0.38 to Ø0.50mm
 Forces: (polished steel gauge Ø0.41mm)
 Insertion: 150g Max/Pin, Withdrawal: 30g Min/Pin
 Operation Temperature: -40°C to +105°C

Sleeve: Brass CuZn36Pb3(C36000), Sn over Ni
 Contact Clip(6 finger): BeCu(C17200), Au or Sn over Ni
 Insulator Material: PPS+30%G.F(UL94V-0)

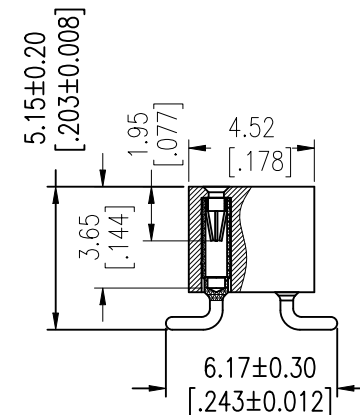
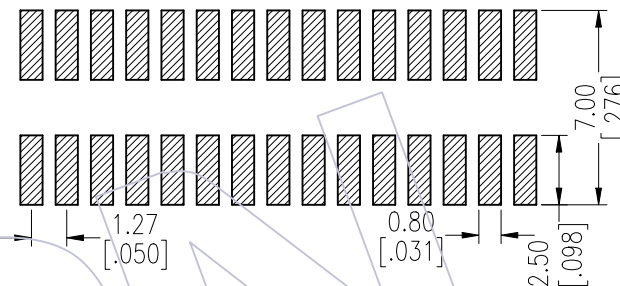
Ordering Information

3525-382 XX M XX 060 X 1

No. of Pin 2-50PIN	Contact Plating S0=Gold Flash/Tin S3=10u"Gold/Tin S4=15u"Gold/Tin S5=30u"Gold/Tin SN=Tin	Packing T=Tube A=Tray R=Tape&Reel
-----------------------	---	--



Recommended P.C.B Layout(Top Side)
 (PCB BOARD TOLERANCE ±0.05)



Item	Pitch	Mating
Standard	1.27X2.54	3515
Alternate		

REV	DATE	MODIFICATION DESCRIPTION	CHANGE	OPERATION		DRAW	DATE	SCALE	FIT	PART NO.
				Angle	± 3'					
A0	2012/10/16	NEW	-----	x.xx	±0.40	CHECK	2012/10/16	UNIT	mm	3525-382XXMX060X1
				x.xx	±0.25			SIZE	A4	TITLE:
				x.xxx	±0.15			SHEET	1/1	1.27X2.54mm MACHINED FEMALE HEADER TWO ROW 180° SMT H=3.80
				DIM	TOL	APPROVE	DATE	PROJ.	⊕	Customer NO.

WCON

Http: www.wcon.com

WCON-Dongguan Tel: +86 769 85358920 Fax: +86 769 85358915 E-mail: sales@wcon.com	WCON-Kunshan Tel: +86 512 57468408 Fax: +86 512 57468468 E-mail: salesks@wcon.com
---	--