

HSF

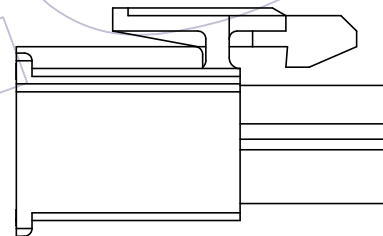
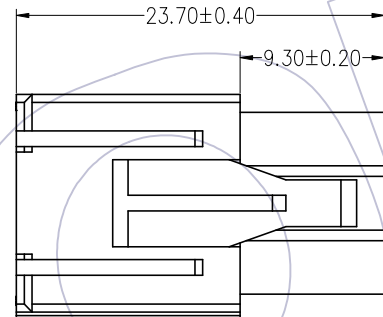
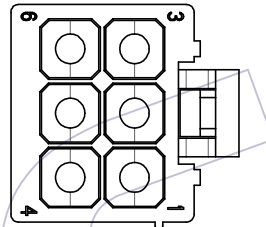
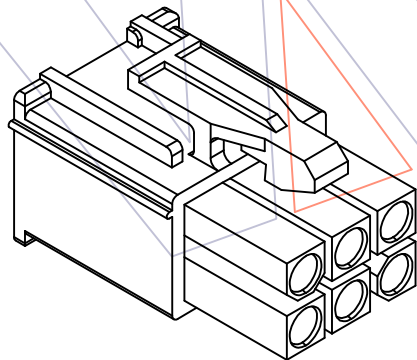
NOTES:

Withstand Voltage: AC 1500V
 Insulation Resistance: 1000MΩ/DC 500V
 Operation Temperature: -20°C to +85°C
 Insulator Material: PA66 UL94V-0

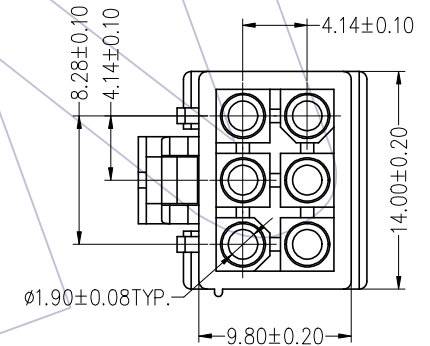
Ordering Information

WF4141 - 2 H XX W 0 1

No. of Row Double Row
 Housing(Female)
 No. of pins
 02=2X02PIN
 11=2X11PIN
 12=2X12PIN
 Wcon Internal Code
 Package
 0=PE bag
 Colour
 W=White



2X3PIN



REV	DATE	MODIFICATION DESCRIPTION	CHANGE	OPERATION		DRAW Morris	DATE 2022/11/18	SCALE UNIT	FIT mm	PART NO. WF4141-2HXXW01
				X.X	±0.30					
				X.XX	±0.25	CHECK	DATE	SIZE	A4	TITLE: 4.14mm Housing, "T" Type, Dual Row, W/T Lock
A0	2022/11/18	NEW	---	X.XXX	±0.15	APPROVE	DATE	SHEET	1/4	Customer NO.
				Angle	±3°			PROJ.	◆	
				DIM	TOL					

WCON

Http: www.wcon.com

WCON-Dongguan	WCON-Kunshan
Tel: +86 769 85358920	Tel: +86 512 57468408
Fax: +86 769 85358915	Fax: +86 512 57468468
E-mail: sales@wcon.com	E-mail: salesks@wcon.com