

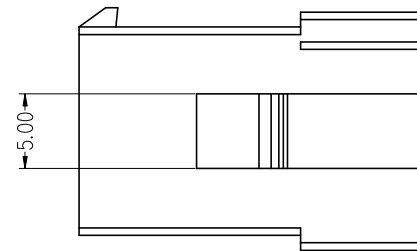
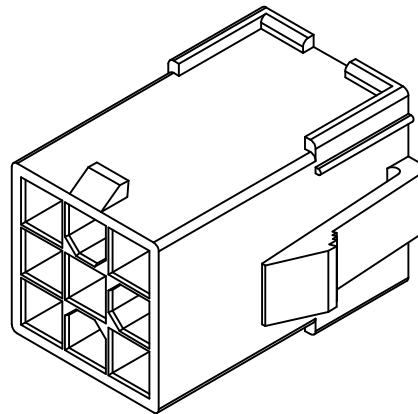
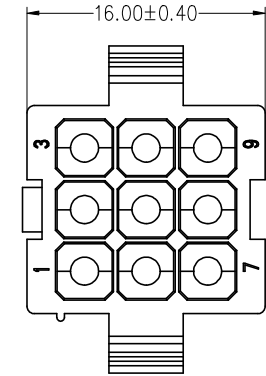
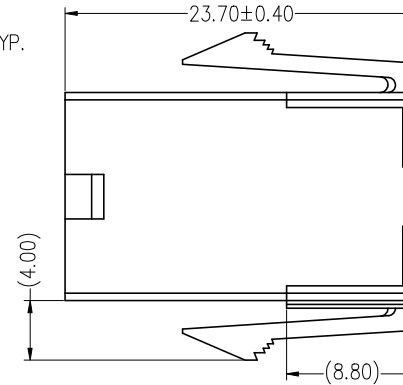
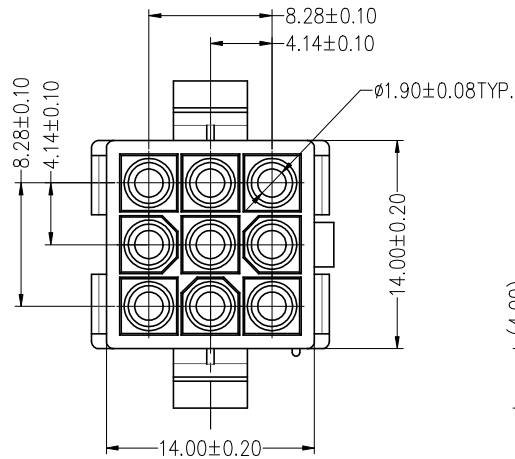
# HSF

NOTES:  
 Withstand Voltage: AC 1500V  
 Insulation Resistance: 1000MΩ/DC 500V  
 Operation Temperature: -20℃ to +85℃  
 Insulator Material: PA66 UL94V-0

## Ordering Information

WF4141 - 3 HK XX W 0 1

No. of Row three Row  
 Housing(Male)  
 No. of pins  
 03=3X03PIN  
 04=3X04PIN  
 05=3X05PIN  
 Wcon Internal Code  
 Package  
 0=PE bag  
 Colour  
 W=White



3X3PIN

REV	DATE	MODIFICATION DESCRIPTION	CHANGE	OPERATION		DRAW Morris	DATE 2022/11/18	SCALE	FIT	PART NO. WF4141-3HKXXW01
				X.X	±0.30					
				X.XX	±0.25	CHECK	DATE	UNIT	mm	TITLE: 4.14mm Housing(Male), "T" Type, three Row, W/T Lock
A0	2022/11/18	NEW	---	X.XXX	±0.15	APPROVE	DATE	SIZE	A4	Customer NO.
				Angle	±3'			SHEET	1/2	
				DIM	TOL			PROJ.	⚡	

# WCON

Http: [www.wcon.com](http://www.wcon.com)

WCON-Dongguan Tel: +86 769 85358920 Fax: +86 769 85358915 E-mail: [sales@wcon.com](mailto:sales@wcon.com)  
 WCON-Kunshan Tel: +86 512 57468408 Fax: +86 512 57468468 E-mail: [salesks@wcon.com](mailto:salesks@wcon.com)