

# HSF

**NOTES:**

- Current Rating:  
24A(2PIN); 23A(3PIN); 22A(4PIN)[Wire range: 12AWG];
- Voltage Rating: 600V AC/DC;
- Contact Resistance: 5mΩ Max;
- Withstand Voltage: 2500V AC;
- Insulation Resistance: 1000MΩ Min;
- Operating Temperature: -55°C to +105°C;
- Insulator Material: PBT,G.F,UL94V-0,BK;
- Contact Material: Copper Alloy;
- Contact plating:  
W4: 15μ" Gold on contact area (See ordering information),  
100μ" Matte TIN on solder area,  
50μ" Nickel underplating overall;
- Recommended process:  
Wavesolder, Peak temperature: 260±5°C, 5s ;

## Ordering Information

WD6350-1 WS XX W4 B T O X

1=Single Row

WS=180°DIP

No.of Pins:  
02=2P; 03=3P; 04=4P

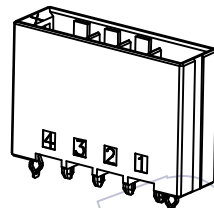
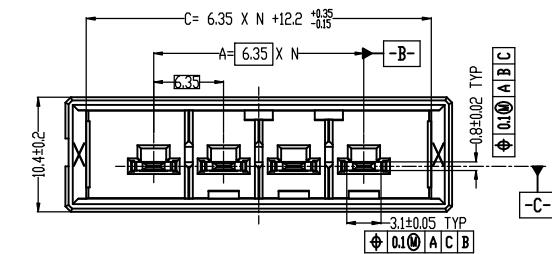
Contact Plating:  
W4=15μ" Gold/Matte Sn

Color:  
B=Black

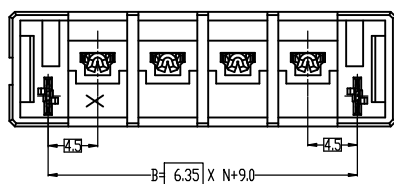
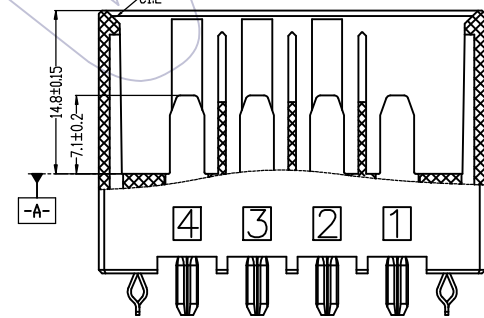
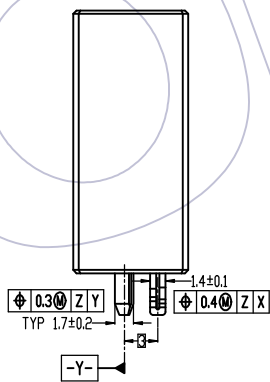
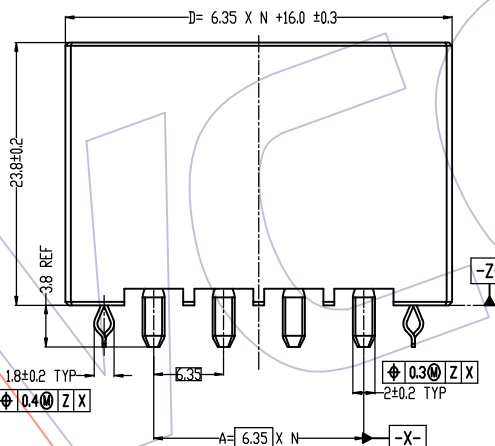
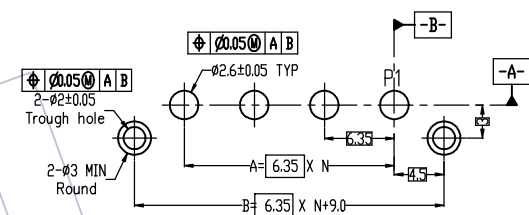
T=Tube

O=Standard type

CODE OF KEYING  
1=X; 2=Y



Recommended P.C.B Layout(Top Side)  
PCB THICKNESS: 1.6 ~ 2.4±0.1  
(PCB BOARD TOLERANCE±0.05)



PIN	N	A	B	C	D	PART NO	KEY	KEY LOCATION
2	1	6.35	15.35	18.55	22.35	WD6350-1WS02W4BT01	X	
						WD6350-1WS02W4BT02	Y	
3	2	12.7	21.7	24.9	28.7	WD6350-1WS03W4BT01	X	
						WD6350-1WS03W4BT02	Y	
4	3	19.05	28.05	31.25	35.05	WD6350-1WS04W4BT01	X	
						WD6350-1WS04W4BT02	Y	

REV	DATE	MODIFICATION DESCRIPTION	CHANGE	OPERATION	DRAW	DATE	SCALE	FIT	PART NO.	 Http: www.wcon.com WCON-Dongguan      WCON-Kunshan Tel: +86 769 85358920      Tel: +86 512 57468408 Fax: +86 769 85358915      Fax: +86 512 57468468 E-mail: sales@wcon.com      E-mail: salesks@wcon.com
AO	2021.06.02	NEW		X.X      ±0.40	Houfu Peng	2021.06.02	UNIT      mm		WD6350-1WSXXW4BTOX	
				X.XX      ±0.25	CHECK	DATE	SIZE      A4		TITLE: 6.35mm DYN. Type Single Row Male 180° DIP Type	
				X.XXX      ±0.15	APPROVE	DATE	SHEET      1/1		Customer NO.	
				Angle      ± 3°			PROJ.			
				DIM      TOL						