

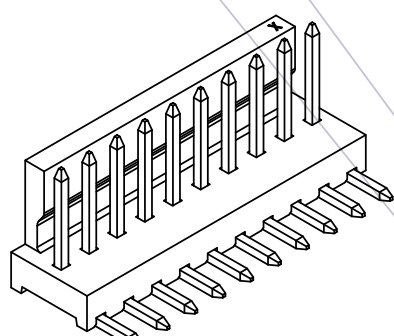
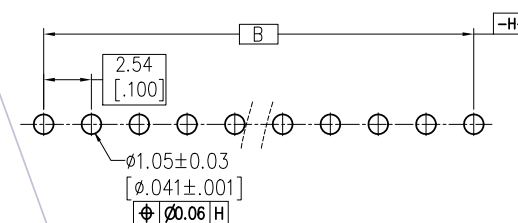
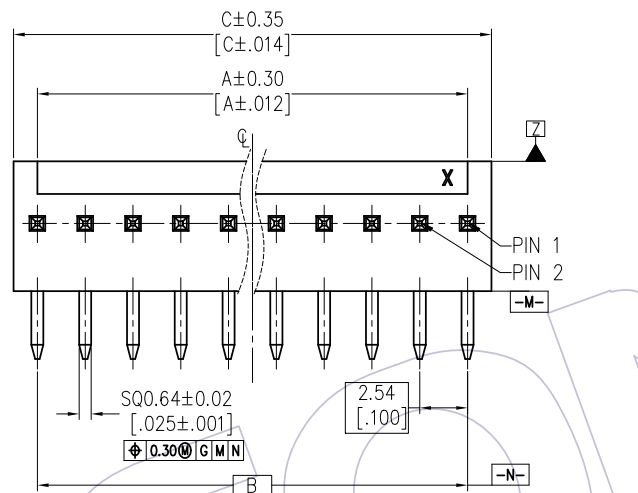
HSF

NOTES:
 Current Rating: 3.0AMP
 Voltage Rating: 250V
 Contact Resistance: 20mΩ Max
 Withstand Voltage: 1000V AC/minute
 Insulation Resistance: 1000MΩ Min
 Operation Temperature: -40℃ to +105℃

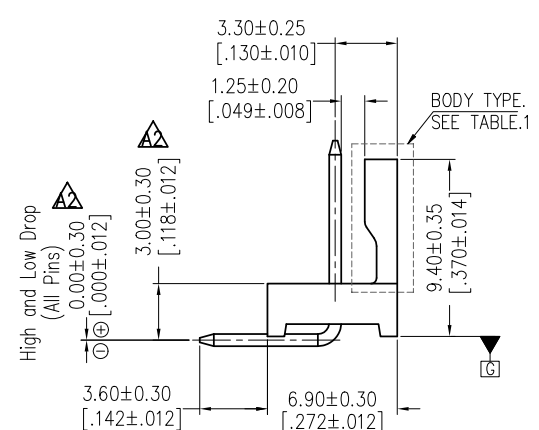
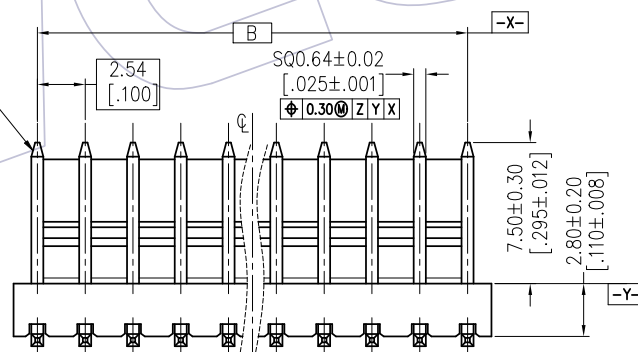
Contact Material: Copper Alloy
 Contact plating: See Ordering Information
 Insulator Material: PA66,G.F,UL94V-0,WHITE.


Recommended Process:
 Wave Soldering, Peak temperature: 235±5℃

Recommended P.C.B Layout(Top Side)
 (PCB BOARD TOLERANCE±0.05)
 PCB BOARD THICKNESS: 1.6~2.0



C0.75*0.20 [C.030*.008] (Tolerance: ±0.05)



				OPERATION		DRAW	DATE	SCALE	FIT	PART NO.	 Http: www.wcon.com WCON-Dongguan Tel: +86 769 85358920 WCON-Kunshan Tel: +86 512 57468408 Fax: +86 769 85358915 E-mail: sales@wcon.com	
A2	2020/11/23	Change the size according to customer requirements	△	ZXC	x.x	±0.40	ZXC	2020/11/23	UNIT	mm [inch]		TITLE:
A1	2020/04/16	Add Contact plating "S4" and "G4"	△	Andrey	x.xx	±0.25	CHECK	DATE	SIZE	A4		2.54mm Wafer R/A Single Row, Not Breakable, Dip Height=3.60mm
A0	2020/03/11	NEW		Andrey	x.xxx	±0.15	APPROVE	DATE	SHEET	1/3		Customer NO.
REV	DATE	MODIFICATION DESCRIPTION		CHANGE	Angle	± 3'			PROJ.	ϕ		

HSF

Ordering Information

WF 2545 -B WR XX XX W 0 1

Company Code

Product Series Code:
254= 2.54mm Pitch
5= Fifth series

Body Type:
See Table.1

Type Code:
WR=90° DIP

No. of pins:
02~36Pin

Contact Plating
 ▲ S4=15u" Gold Plated On Contact Area,
 80u" Min Bright Tin Plated On Ni Plated
 50u" Min Nickel Plated Overall

▲ G4=15u" Gold Over 50u" Nickel

Blank:
Full Bright Tin-80u" Min Plated Overall

Wcon Internal Code

1~9

Packing
0=PE Bag

Housing Color
W=White

TABLE 1(BODY TYPE):

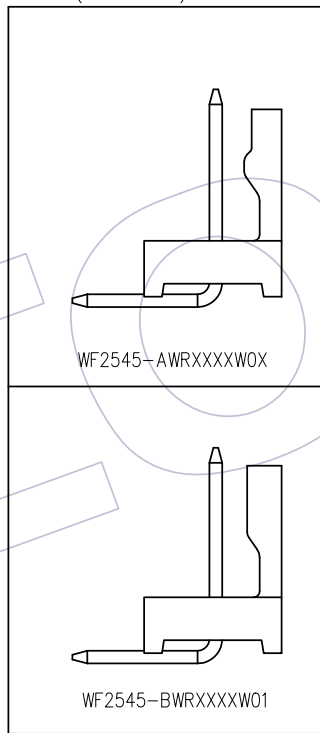


TABLE 2:

Pin No.	Part Number	Dim.A	Dim.B	Dim.C
2P	WF2545-BWR02XXW01	2.54	2.54	5.08
3P	WF2545-BWR03XXW01	5.08	5.08	7.62
4P	WF2545-BWR04XXW01	7.62	7.62	10.16
5P	WF2545-BWR05XXW01	10.16	10.16	12.70
6P	WF2545-BWR06XXW01	12.70	12.70	15.24
7P	WF2545-BWR07XXW01	15.24	15.24	17.78
8P	WF2545-BWR08XXW01	17.78	17.78	20.32
9P	WF2545-BWR09XXW01	20.32	20.32	22.86
10P	WF2545-BWR10XXW01	22.86	22.86	25.40
11P	WF2545-BWR11XXW01	25.40	25.40	27.94
12P	WF2545-BWR12XXW01	27.94	27.94	30.48
13P	WF2545-BWR13XXW01	30.48	30.48	33.02
14P	WF2545-BWR14XXW01	33.02	33.02	35.56
15P	WF2545-BWR15XXW01	35.56	35.56	38.10
16P	WF2545-BWR16XXW01	38.10	38.10	40.64
17P	WF2545-BWR17XXW01	40.64	40.64	43.18
18P	WF2545-BWR18XXW01	43.18	43.18	45.72
19P	WF2545-BWR19XXW01	45.72	45.72	48.26
20P	WF2545-BWR20XXW01	48.26	48.26	50.80
21P	WF2545-BWR21XXW01	50.80	50.80	53.34
22P	WF2545-BWR22XXW01	53.34	53.34	55.88
23P	WF2545-BWR23XXW01	55.88	55.88	58.42
24P	WF2545-BWR24XXW01	58.42	58.42	60.96
25P	WF2545-BWR25XXW01	60.96	60.96	63.50
26P	WF2545-BWR26XXW01	63.50	63.50	66.04
27P	WF2545-BWR27XXW01	66.04	66.04	68.58
28P	WF2545-BWR28XXW01	68.58	68.58	71.12
29P	WF2545-BWR29XXW01	71.12	71.12	73.66
30P	WF2545-BWR30XXW01	73.66	73.66	76.20
31P	WF2545-BWR31XXW01	76.20	76.20	78.74
32P	WF2545-BWR32XXW01	78.74	78.74	81.28
33P	WF2545-BWR33XXW01	81.28	81.28	83.82
34P	WF2545-BWR34XXW01	83.82	83.82	86.83
35P	WF2545-BWR35XXW01	86.83	86.83	88.90
36P	WF2545-BWR36XXW01	88.90	88.90	91.44

REV	DATE	MODIFICATION DESCRIPTION	CHANGE	OPERATION	DRAW	DATE	SCALE	FIT	PART NO.
A2	2020/11/23	Change the size according to customer requirements	ZXC	x.x ±0.40	ZXC	2020/11/23	UNIT	mm [inch]	WF2545-BWRXXXXW01
A1	2020/04/16	Add Contact plating "S4" and "G4"	Andrey	x.xx ±0.25	CHECK	DATE	SIZE	A4	TITLE: 2.54mm Wafer R/A Single Row, Not Breakable, Dip Height=3.60mm
A0	2020/03/11	NEW	Andrey	x.xxx ±0.15	APPROVE	DATE	SHEET	2/3	Customer NO.
				Angle ± 3'			PROJ.		
				DIM TOL					

WCON

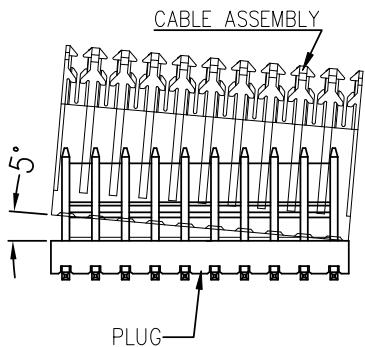
Http: www.wcon.com

WCON-Dongguan Tel: +86 769 85358920 Fax: +86 769 85358915 E-mail: sales@wcon.com

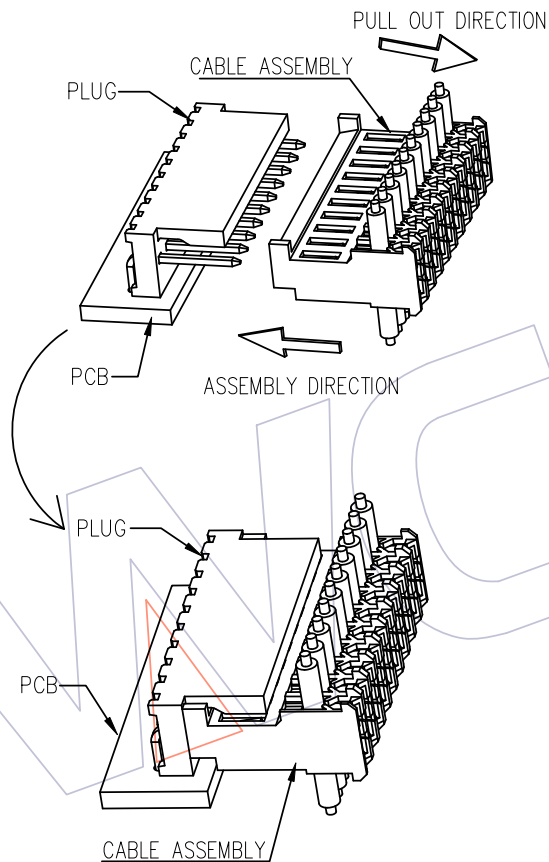
WCON-Kunshan Tel: +86 512 57468408 Fax: +86 512 57468468 E-mail: salesks@wcon.com

HSF

ALLOWED ANGULAR INCLINATION
TOLERANCES LONGITUDINAL: $\pm 5^\circ$

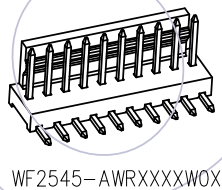


DYNAMIC USE HINT:



ASSEMBLY COMPLETION STATUS

PLUG-1	ADAPTATION CABLE ASSEMBLY	PLUG-2
	<p>CABLE</p> <p>STAY-SAFE</p> <p>PART NO.: WF2545-XXHIEXXB01</p>	
	<p>CABLE</p> <p>NOT STAY-SAFE</p> <p>PART NO.: WF2545-XXHIEXXB02</p>	
	<p>CABLE</p> <p>STAY-SAFE</p> <p>PART NO.: WF2545-XXHITXXBT01</p>	<p>WF2545-BWRXXXXW01</p>
	<p>CABLE</p> <p>NOT STAY-SAFE</p> <p>PART NO.: WF2545-XXHITXXBT02</p>	



REV	DATE	MODIFICATION DESCRIPTION	CHANGE	OPERATION	DRAW	DATE	SCALE	FIT	PART NO.
A2	2020/11/23	Change the size according to customer requirements	ZXC	X.X	± 0.40	2020/11/23	UNIT	mm [inch]	WF2545-BWRXXXXW01
A1	2020/04/16	Add Contact plating "S4" and "G4"	Andrey	X.XX	± 0.25	DATE	SIZE	A4	TITLE:
A0	2020/03/11	NEW	Andrey	X.XXX	± 0.15	DATE	SHEET	3/3	2.54mm Wafer R/A Single Row, Not Breakable, Dip Height=3.60mm
				Angle	$\pm 3'$	DATE	PROJ.		Customer NO.
				DIM	TOL				

WCON

Http: www.wcon.com

WCON-Dongguan Tel: +86 769 85358920
WCON-Kunshan Tel: +86 512 57468408
Fax: +86 769 85358915
E-mail: sales@wcon.com
Fax: +86 512 57468468
E-mail: salesks@wcon.com