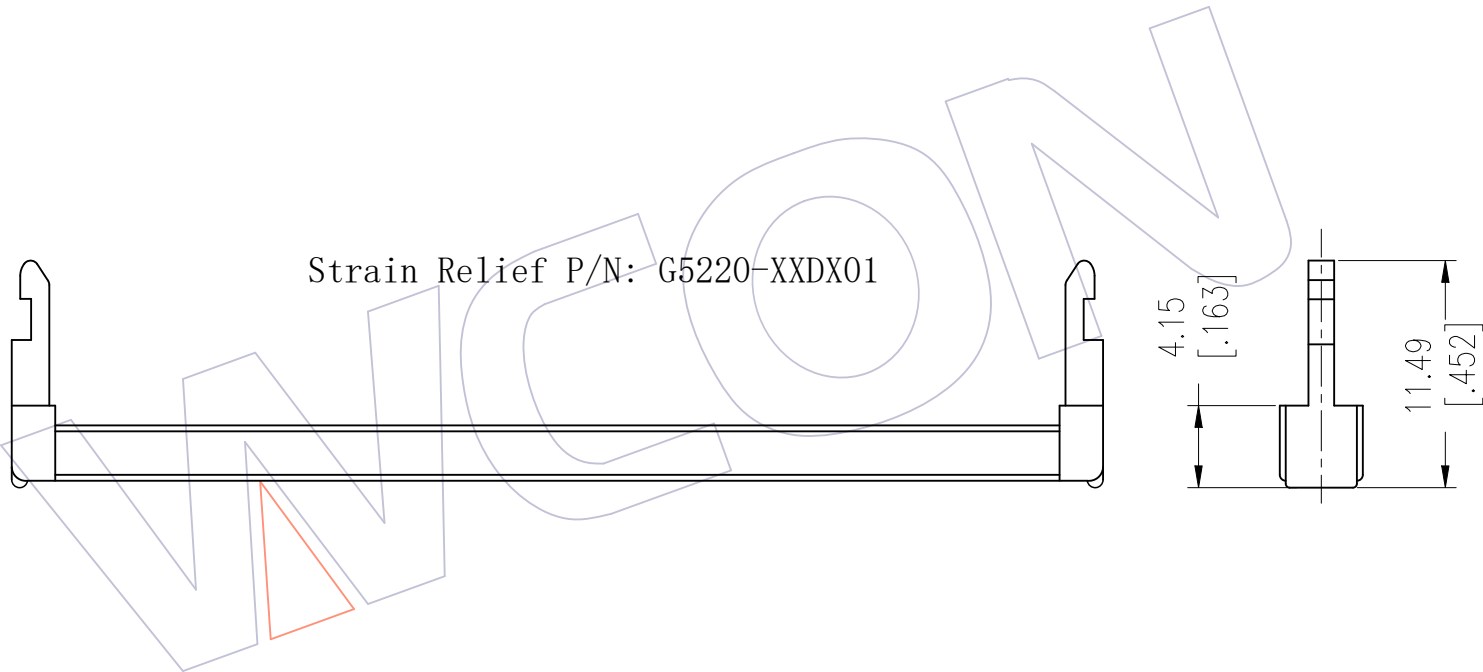


HSF

Strain Relief P/N: G5220-XXDX01



A3	2022/05/25	Modify TITLE	△3	Du Ying	OPERATION	DRAW	DATE	SCALE	FIT	PART NO. G5220-XXDX01	 <a href="http://www.wcon.com">Http: www.wcon.com</a>
A2	2017/06/01	Modify	△2	Ding	X.X ±0.40	Du Ying	2022/05/25	UNIT	mm		
A1	2016/12/30	Modify Bump	△1	—	X.XX ±0.25	CHECK	DATE	SIZE	A4	Customer NO.	WCON-Kunshan Tel: +86 512 57468408 Fax: +86 512 57468468 E-mail: salesks@wcon.com
A0	2013/10/07	NEW DRAWING	—	—	X.XXX ±0.15	APPROVE	DATE	SHEET	2/2		
REV	DATE	MODIFICATION DESCRIPTION	CHANGE		Angle ± 3' DIM TOL			PROJ.	⌀		