

NOTES:

Current Rating: 0.5A
 Voltage Rating: 50V AC/DC
 Contact Resistance: 50milliohm Max
 Insulation Resistance: 100MegoHM Min
 Operation Temperature: -20°C to +105°C

Housing Material: PA9T(UJ94V-0)
 Cap Material: CP(UJ94V-0)
 Contact Material: Phosphor Bronze
 Contact plating: Au or Sn over Ni

Ordering Information

3610-S XXX - XXX XX R 01

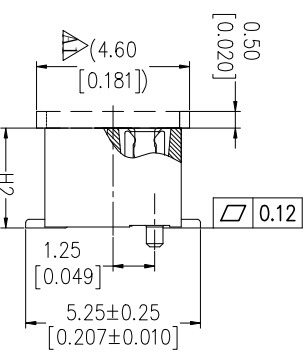
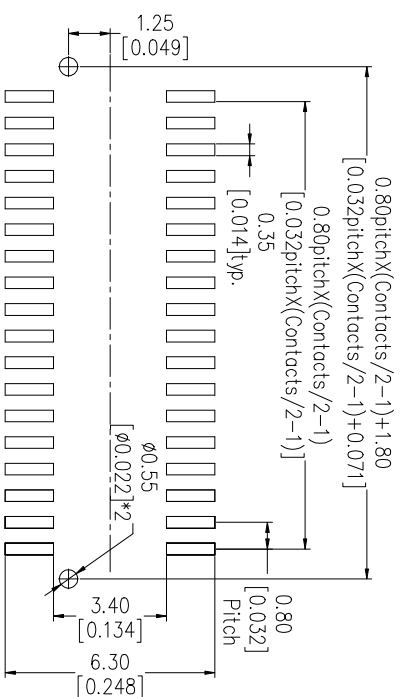
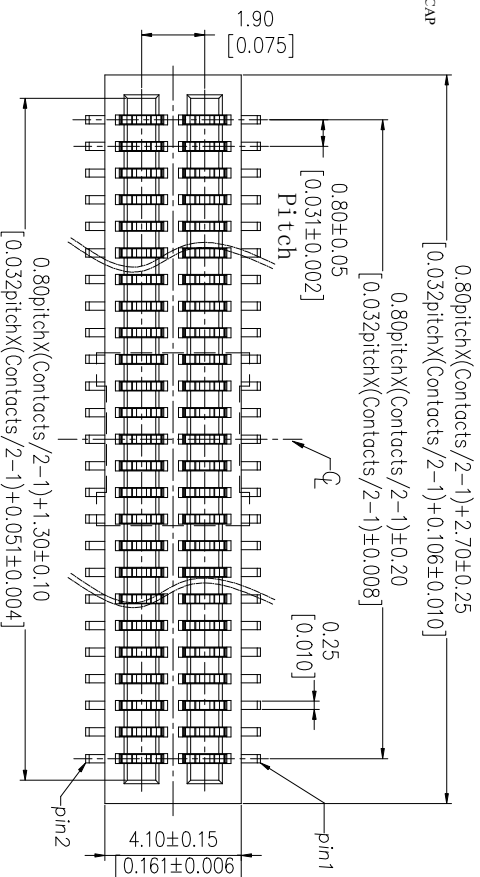
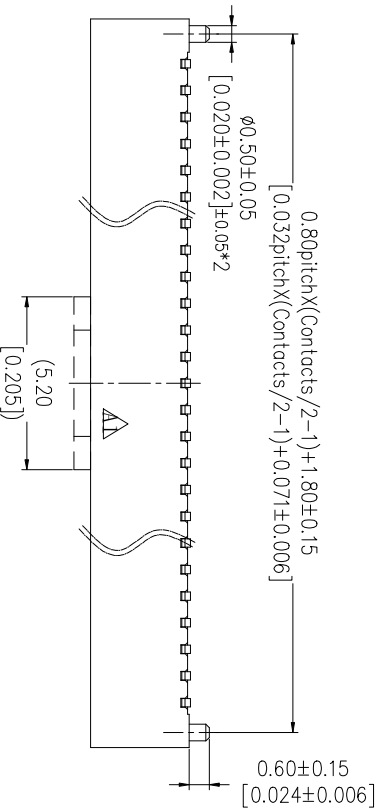
No of Pins
 10P
 20P
 30P
 40P
 50P
 80P
 100P

Housing High
 00=0.400
 01=0.400
 05=0.500

Contact Plating
 GI=3u"Gold
 G2=5u"Gold
 SI=5u"Gold/Mate Tin
 S2=5u"Gold/Mate Tin

T-Tube
 P=Type CAP
 R=Type RREF-CAP

ASSY HIGH(H)	PLUG(H1)	SOCKET(H2)
4.00	1.00	3.00
4.50	1.50	3.00
5.00	2.00	3.00
5.50	1.50	4.00
6.00	2.00	4.00
6.50	2.00	4.50
7.00	3.00	4.00
7.50	3.00	4.50
8.00	4.00	4.00



Assembly

Recommended P.C.B Layout (Top Side)
 (PCB BOARD TOLERANCE ± 0.05)

REV	DATE	MODIFICATION DESCRIPTION	CHANGE	OPERATION	DRAW	DATE	SCALE	FIT	PART NO.	TITLE:	WCON-Dongguan	WCON-Kunshan
A1	2020/01/08	Modify		XX ±0.40	SU	2020/01/08	mm A4	inch	3610-SXXX-XXXXXR01	0.80mm B TO B FEMALE 180° SMT TYPE	Tel: +86 769 85358920 Fax: +86 769 85358915 E-mail: sales@wcon.com	Tel: +86 512 57468408 Fax: +86 512 57468468 E-mail: sales@wcon.com
A0	2012/11/02	NEW		XX ±0.15	CHECK		mm A4	inch				
REV	DATE	MODIFICATION DESCRIPTION	CHANGE	Angle ± 3°	APPROVE	DATE	SHEET 1/1	PROJ.	Customer NO.			

WCON
 Http: www.wcon.com