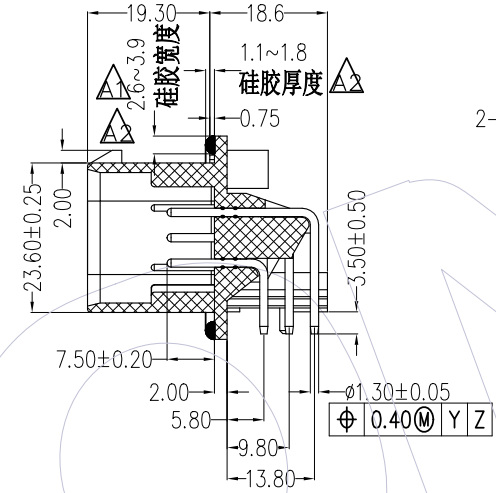
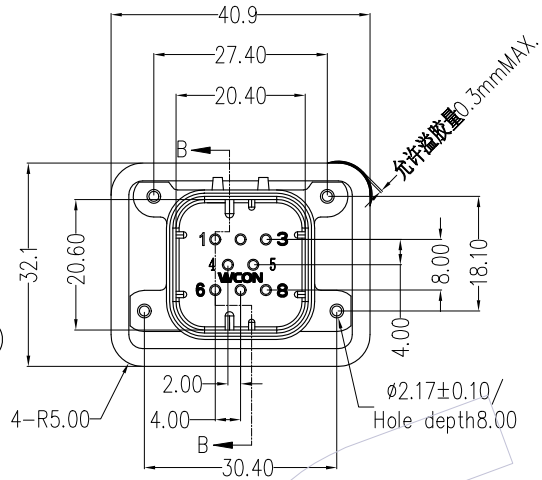
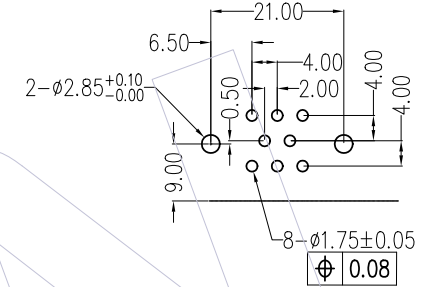


NOTES:
 Rated Current: 5-8A
 Rated Voltage: 250V AC
 Contact Resistance: 10mΩ Max.
 Withstand Voltage: 1000V
 Insulation Resistance: 5000MΩ Min.
 Operation Temperature:
 Tin Plating: -40℃ to +125℃
 Gold Plating: -40℃ to +125℃
 Contact Material: Copper Alloy
 Contact Plating: Sn or Au over Ni
 Main Body Material: PBT+30%GF White
 Waterproof grade: IP68/IP69K(After installation)



Recommended P.C.B Layout(Top Side)
 (PCB BOARD TOLERANCE±0.05 T=1.50mm)



Ordering Information

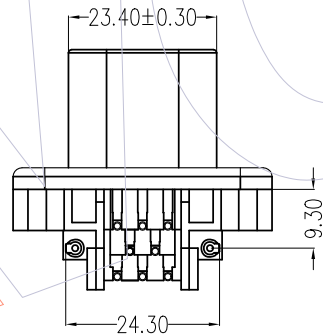
74040-3MR 008 A B XX N A 2 W

Body Material:
A=PBT

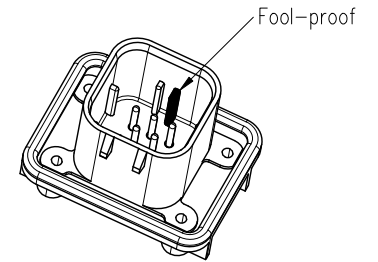
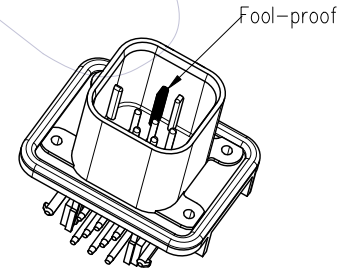
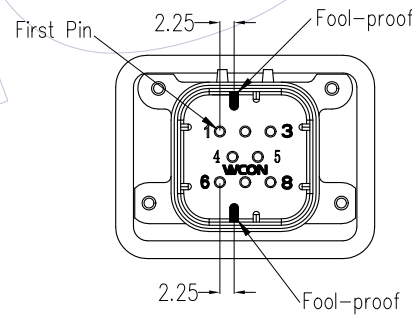
Contact Material:
B=Brass

Contact Plating:
G0=1u" Gold
G3=10u" Gold
SN=Sn
SM=Matte Sn

A=Tray



Section B-B



Matched Female Number
74040-3FC008AN00WA2W

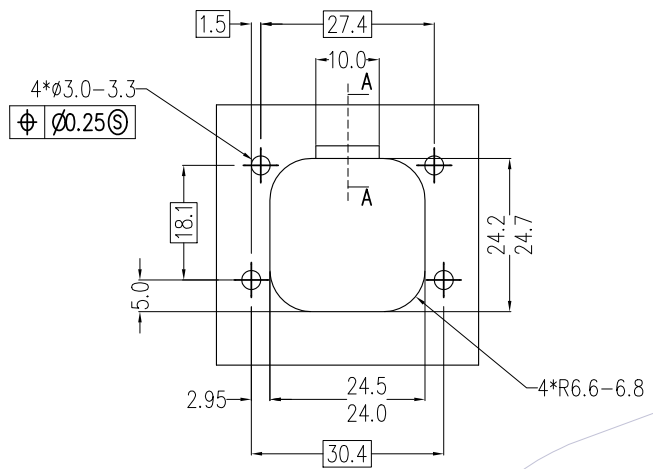
Fool-proof Structure

REV	DATE	MODIFICATION DESCRIPTION	CHANGE	DIM	TOL	OPERATION	DRAW	DATE	SCALE	PART NO.
A4	2019.04.16	Modify	—			OPERATION	Ding	2019.04.16	1:1	74040-3MR008ABXXNA2W
A3	2018.11.23	Modify	—	x.X	±0.40	CHECK			mm	
A2	2018.09.14	Modify	—	x.XX	±0.25	APPROVE			A4	车用防水型8P插座90度
A0	2018.03.12	NEW	—	x.XXX	±0.15				1/2	
				Angle	± 3°					Customer NO.

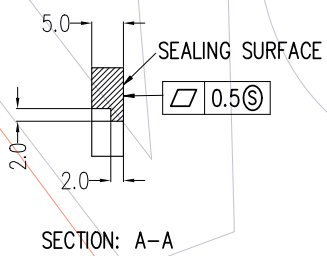
WCON
 Http: www.wcon.com

WCON-Dongguan Tel: +86 769 85358920 Fax: +86 769 85358915 E-mail: sales@wcon.com

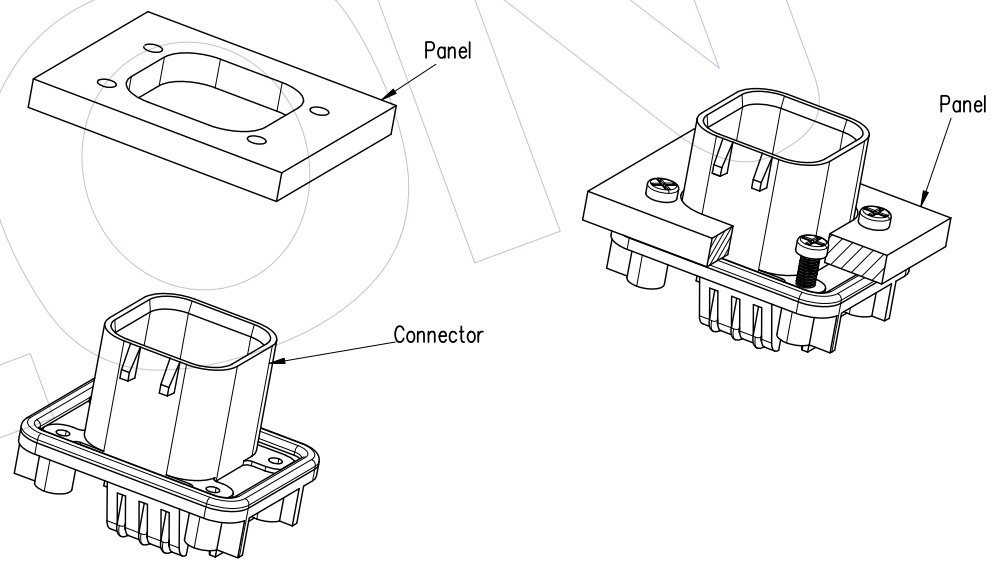
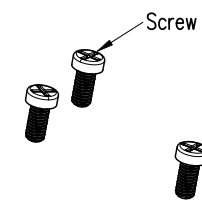
WCON-Kunshan Tel: +86 512 57468408 Fax: +86 512 57468468 E-mail: salesks@wcon.com



RECOMMENDED MOUNTING HOLE LAYOUT FOR 5.0 MAX THICK PANEL (8PIN)



OPTIONAL CONSTRUCTION IF PANEL THICKNESS IS GREATER THAN 2.0



Explosion View

A4	2019.04.16	Modify	OPERATION	DRAW	DATE	SCALE	1:1	PART NO. 74040-3MR008ABXXNA2W
A3	2018.11.23	Modify	x.X ±0.40	Ding	2019.04.16	UNIT	mm	
A2	2018.09.14	Modify	x.XX ±0.25	CHECK	DATE	SIZE	A4	TITLE: 车用防水型8P插座90度
A0	2018.03.12	NEW	x.XXX ±0.15	APPROVE	DATE	SHEET	2/2	
REV	DATE	MODIFICATION DESCRIPTION	CHANGE	DIM	TOL	PROJ.		Customer NO.

WCON
 Http: www.wcon.com

WCON-Dongguan
 Tel: +86 769 85358920
 Fax: +86 769 85358915
 E-mail: sales@wcon.com

WCON-Kunshan
 Tel: +86 512 57468408
 Fax: +86 512 57468468
 E-mail: salesks@wcon.com