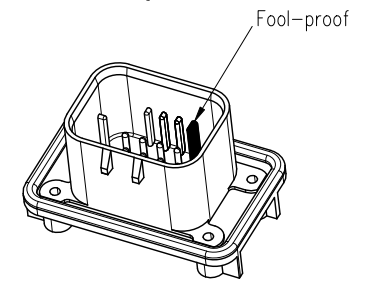
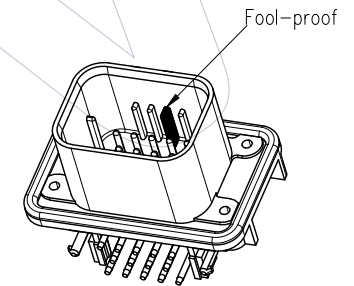
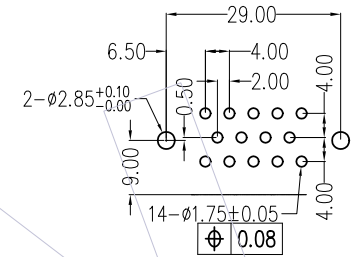
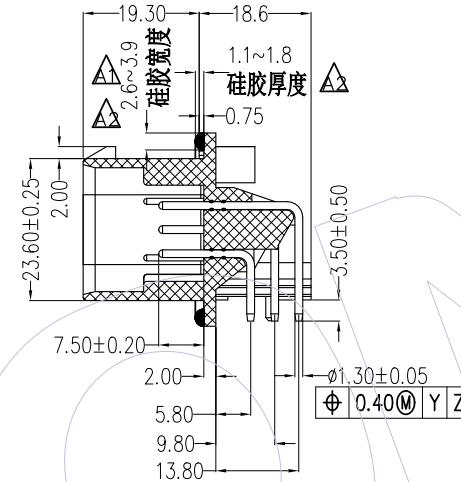
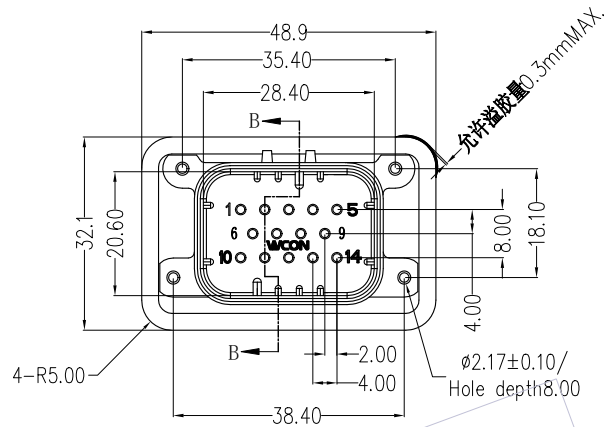


NOTES:  
 Rated Current: 5-8A  
 Rated Voltage: 250V AC  
 Contact Resistance: 10mΩ Max.  
 Withstand Voltage: 1000V  
 Insulation Resistance: 5000MΩ Min.  
 Operation Temperature:  
 Tin Plating: -40℃ to +125℃  
 Gold Plating: -40℃ to +125℃  
 Contact Material: Copper Alloy  
 Contact Plating: Sn or Au over Ni  
 Main Body Material: PBT+30%GF Blue

Waterproof grade: IP68/IP69K (After installation)

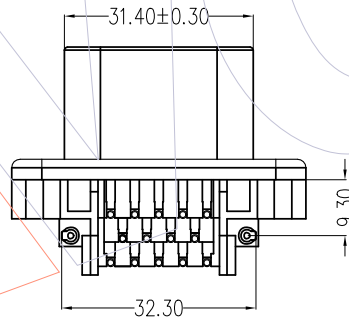
Recommended P.C.B Layout (Top Side)  
 (PCB BOARD TOLERANCE ±0.05 T=1.50mm)



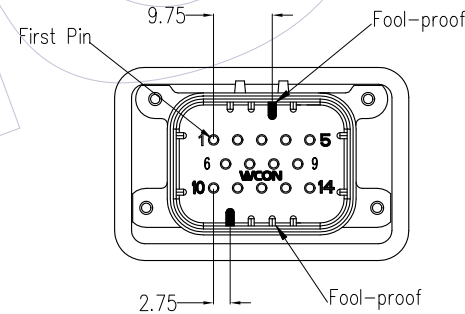
### Ordering Information

74040-3MR 014 A B XX N A 4 W

Contact Material:  
 B=Brass  
 A=Tray  
 Body Material:  
 A=PBT  
 Contact Plating:  
 G0=1u" Gold  
 G3=10u" Gold  
 SN=Sn  
 SM=Matte Sn



Section B-B



Fool-proof Structure

Matched Female Number

74040-3FC014AN00WA4W

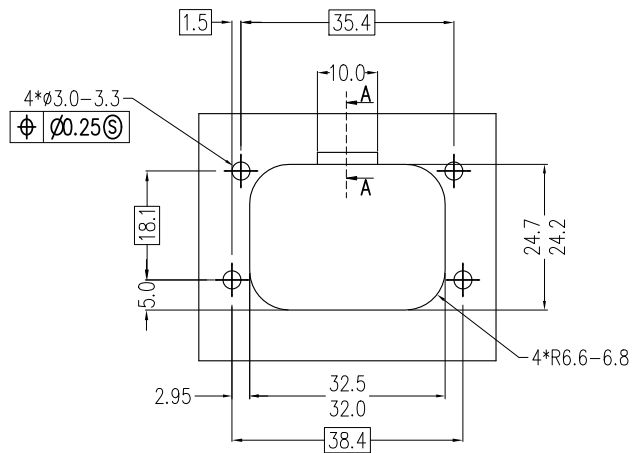
| REV | DATE       | MODIFICATION DESCRIPTION | CHANGE | DIM   | TOL   | OPERATION | DRAW | DATE       | SCALE | PART NO.                |
|-----|------------|--------------------------|--------|-------|-------|-----------|------|------------|-------|-------------------------|
| A4  | 2019.04.16 | Modify                   | —      |       |       | OPERATION | Ding | 2019.04.16 | 1:1   | 74040-3MR014ABXXNA4W    |
| A3  | 2018.11.23 | Modify                   | —      | x.X   | ±0.40 | CHECK     |      |            | mm    |                         |
| A2  | 2018.09.14 | Modify                   | —      | x.XX  | ±0.25 |           |      |            | A4    | TITLE:<br>车用防水型14P插座90度 |
| A0  | 2018.03.12 | NEW                      | —      | x.XXX | ±0.15 | APPROVE   |      |            | 1/2   |                         |
|     |            |                          |        | Angle | ± 3°  |           |      |            |       | Customer NO.            |

**WCON**

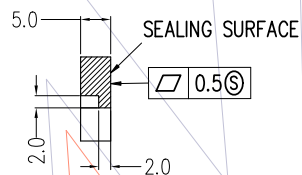
Http: www.wcon.com

WCON-Dongguan  
 Tel: +86 769 85358920  
 Fax: +86 769 85358915  
 E-mail: sales@wcon.com

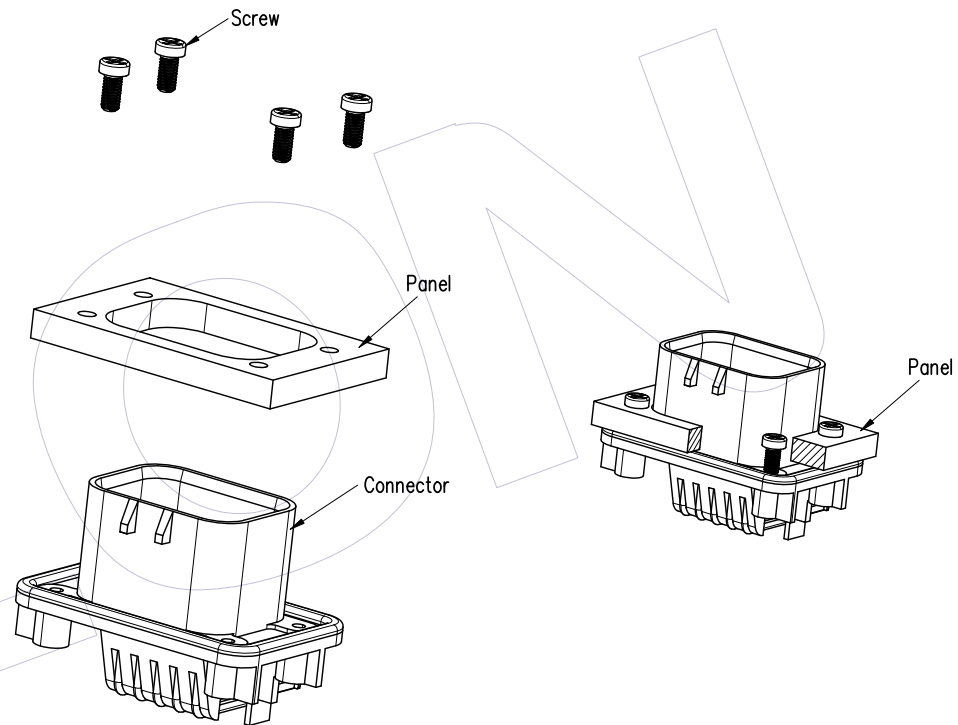
WCON-Kunshan  
 Tel: +86 512 57468408  
 Fax: +86 512 57468468  
 E-mail: salesks@wcon.com





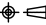
RECOMMENDED MOUNTING HOLE LAYOUT FOR 5.0 MAX THICK PANEL (14PIN)



OPTIONAL CONSTRUCTION IF PANEL THICKNESS IS GREATER THAN 2.0



Explosion View

|     |            |                          |             |         |            |       |   |  |   |
|-----|------------|--------------------------|-------------|---------|------------|-------|---|--|---|
| A4  | 2019.04.16 | Modify                   | OPERATION   | DRAW    | DATE       | SCALE | 1:1   | PART NO.   | <br><a href="http://www.wcon.com">Http: www.wcon.com</a>   |
| A3  | 2018.11.23 | Modify                   | x.x ±0.40   | Ding    | 2019.04.16 | UNIT  | mm  | 74040-3MR014ABXXNA4W  |   |
| A2  | 2018.09.14 | Modify                   | x.xx ±0.25  | CHECK   | DATE       | SIZE  | A4  | TITLE:   | WCON-Dongguan      WCON-Kunshan<br>Tel: +86 769 85358920      Tel: +86 512 57468408<br>Fax: +86 769 85358915      Fax: +86 512 57468468<br>E-mail: sales@wcon.com      E-mail: salesks@wcon.com |
| A0  | 2018.03.12 | NEW                      | x.xxx ±0.15 | APPROVE | DATE       | SHEET | 2/2   | 车用防水型14P插座90度  |   |
| REV | DATE       | MODIFICATION DESCRIPTION | CHANGE      | DIM     | TOL        | PROJ. |  | Customer NO.   |   |