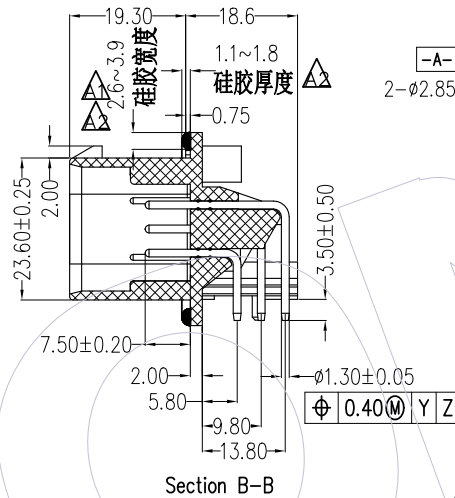
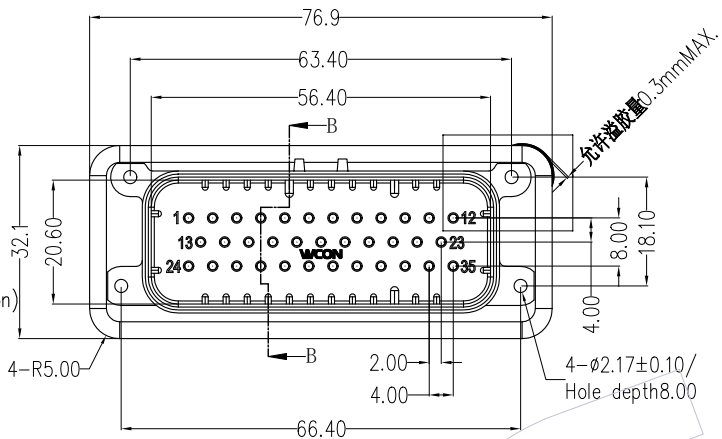
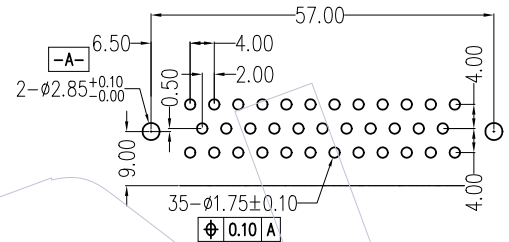


NOTES:
 Rated Current: 5-8A
 Rated Voltage: 250V AC
 Contact Resistance: 10mΩ Max.
 Withstand Voltage: 1000V
 Insulation Resistance: 5000MΩ Min.
 Operation Temperature:
 Tin Plating: -40℃ to +125℃
 Gold Plating: -40℃ to +125℃
 Contact Material: Copper Alloy
 Contact Plating: Sn or Au over Ni
 Main Body Material: PBT+30%GF Blue
 Waterproof grade: IP68/IP69K(After installation)



Recommended P.C.B Layout (Top Side)
 (PCB BOARD TOLERANCE ±0.05 T=1.50mm)



Ordering Information

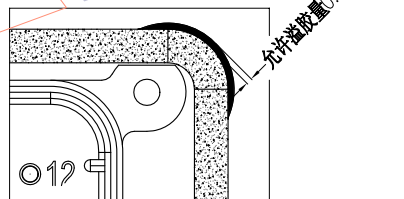
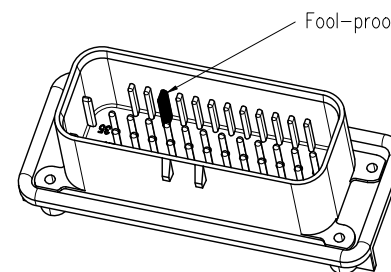
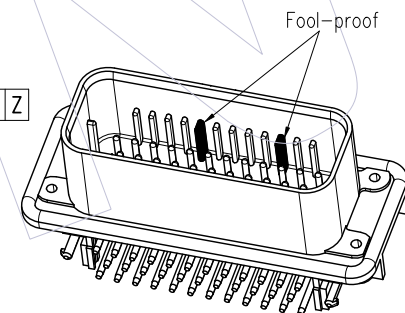
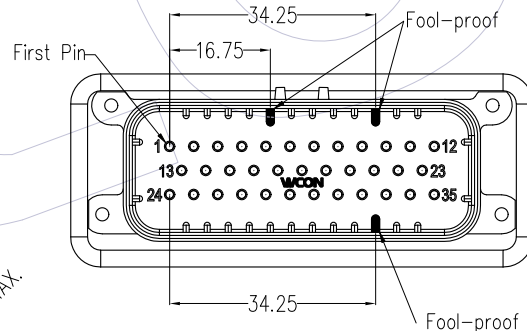
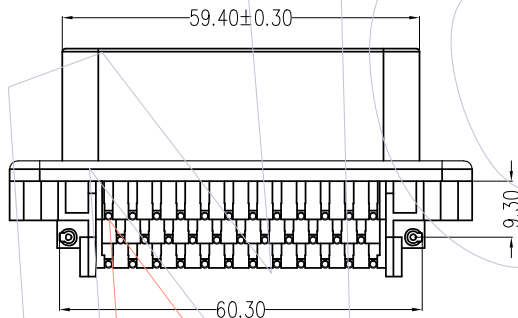
74040-3MR 035 A B XX N A 4 W

Body Material:
 A=PBT

Contact Material:
 B=Brass

A=Tray

Contact Plating:
 G0=1u" Gold
 G3=10u" Gold
 SN=Sn
 SM=Matte Sn



Matched Female Number
 74040-3FC035AN00WA4W

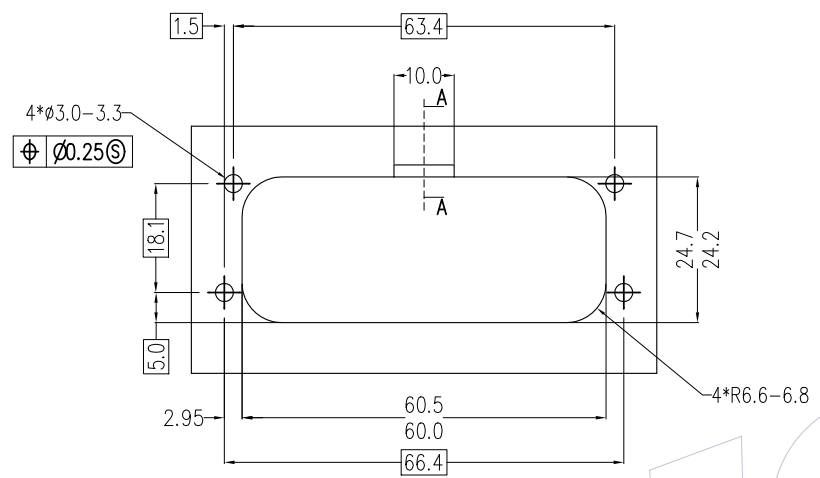
Fool-proof Structure

A4	2019.04.16	Modify	OPERATION	DRAW	DATE	SCALE	1:1	PART NO.
A3	2018.11.23	Modify	x.x ±0.40	Ding	2019.04.16	UNIT	mm	74040-3MR035ABXXNA4W
A2	2018.09.14	Modify	x.xx ±0.25	CHECK	DATE	SIZE	A4	TITLE:
A0	2018.03.12	NEW	x.xxx ±0.15	APPROVE	DATE	SHEET	1/2	车用防水型35P插座90度
REV	DATE	MODIFICATION DESCRIPTION	CHANGE	DIM	TOL	PROJ.	φ	Customer NO.

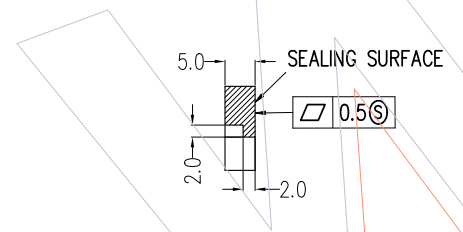
WCON
 Http: www.wcon.com

WCON-Dongguan
 Tel: +86 769 85358920
 Fax: +86 769 85358915
 E-mail: sales@wcon.com

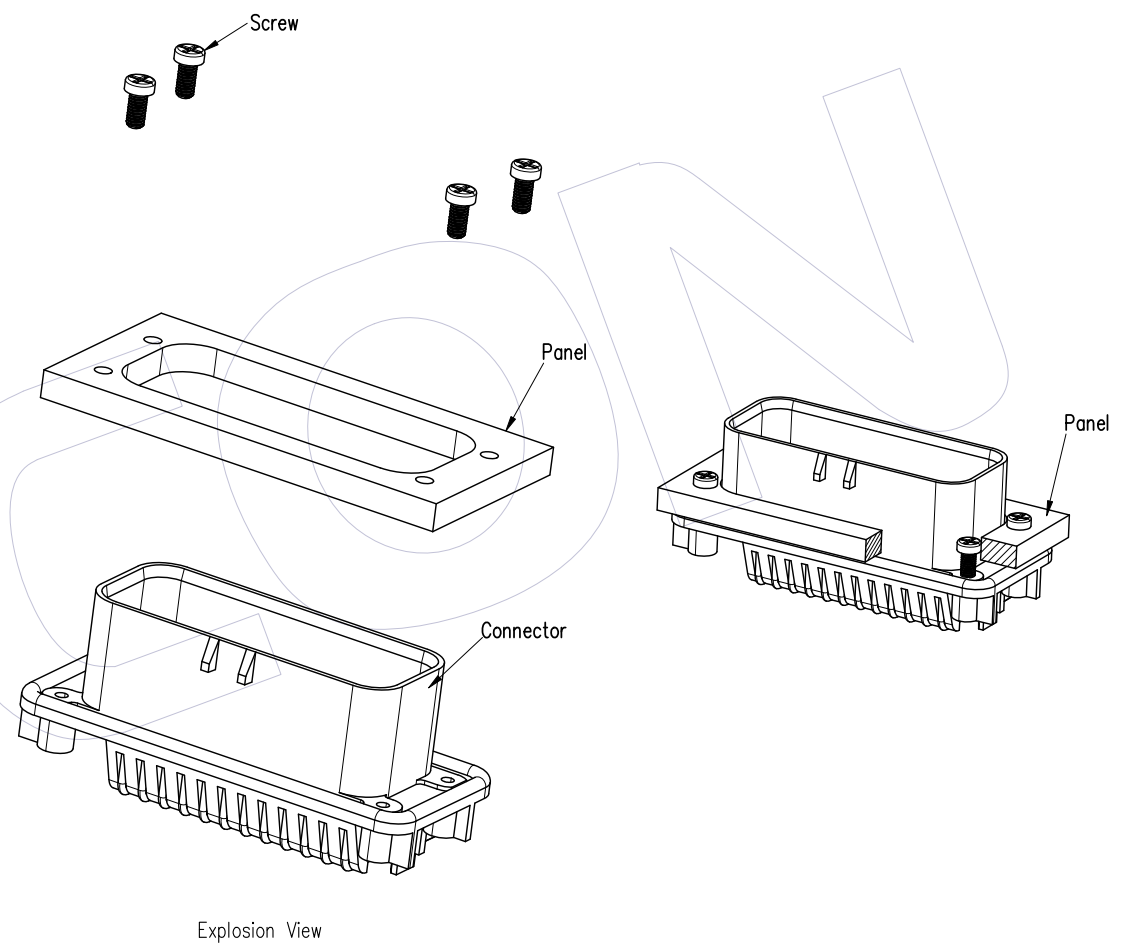
WCON-Kunshan
 Tel: +86 512 57468408
 Fax: +86 512 57468468
 E-mail: salesks@wcon.com



RECOMMENDED MOUNTING HOLE LAYOUT FOR 5.0 MAX THICK PANEL (35PIN)



SECTION: A-A
OPTIONAL CONSTRUCTION IF PANEL THICKNESS IS GREATER THAN 2.0



Explosion View

A4	2019.04.16	Modify	OPERATION	DRAW	DATE	SCALE	1:1	PART NO. 74040-3MR035ABXXNA4W
A3	2018.11.23	Modify	x.x ±0.40	Ding	2019.04.16	UNIT	mm	
A2	2018.09.14	Modify	x.xx ±0.25	CHECK	DATE	SIZE	A4	TITLE: 车用防水型35P插座90度
A0	2018.03.12	NEW	x.xxx ±0.15	APPROVE	DATE	SHEET	2/2	
REV	DATE	MODIFICATION DESCRIPTION	CHANGE	DIM	TOL	PROJ.		Customer NO.

WCON
Http: www.wcon.com

WCON-Dongguan Tel: +86 769 85358920 Fax: +86 769 85358915 E-mail: sales@wcon.com	WCON-Kunshan Tel: +86 512 57468408 Fax: +86 512 57468468 E-mail: salesks@wcon.com
---	--