

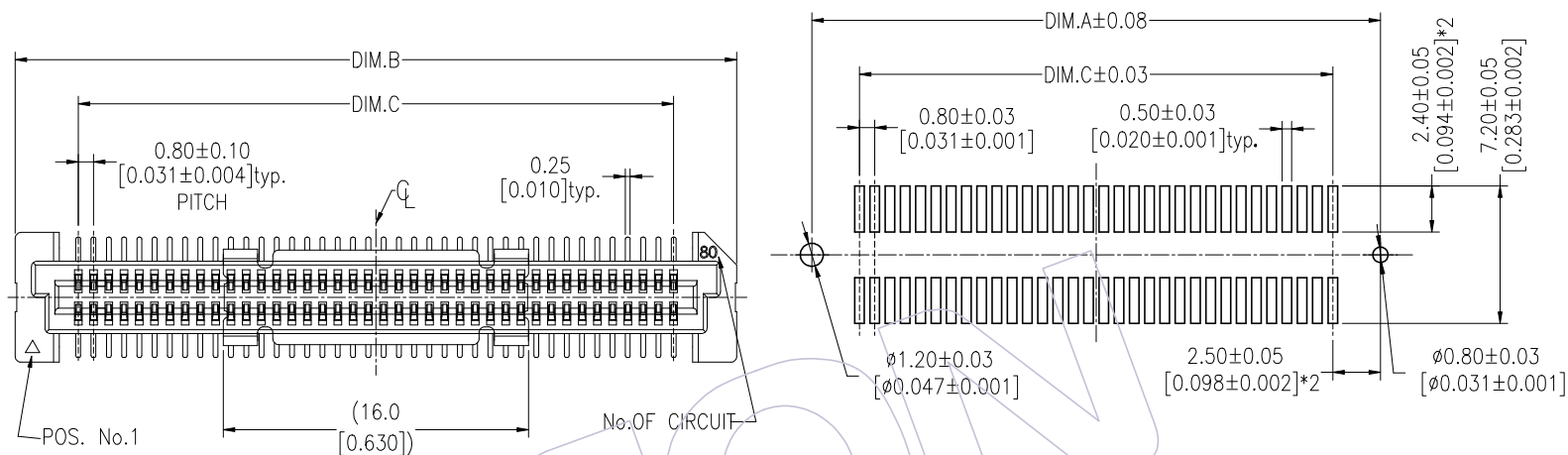
HSF

NOTES:
 Current Rating:0.5AMP
 Contact Resistance:30mΩ max
 Withstand Voltage:100V AC/DC
 Insulation Resistance:500MΩ min
 Operation Temperature:-40℃ to +125℃

Contact Material:Phosphor Bronze
 Cap Material:SUS,t=0.25mm
 Housing Material:LCP/PA9T(UL94V-0),Nature
 Contact plating:Au and Tin over Ni

Flatness: <80Pins The "M" Is 0.12mm MAX
 ≥80Pins The "M" Is 0.15mm MAX

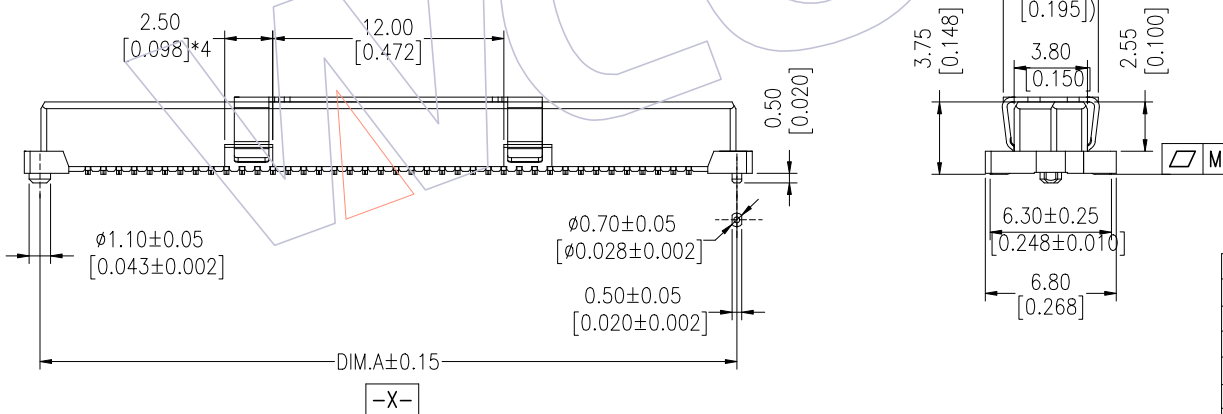
Recommended P. C. B Layout (Top Side)
 (PCB BOARD TOLERANCE ±0.05)



Ordering Information

3616-S XXX -037 XX R XX

No.of Pins Housing High Contact Plating R=Tape&Reel+CAP
 S1=3u"Gold/Tin
 S3=10u"Gold/Tin



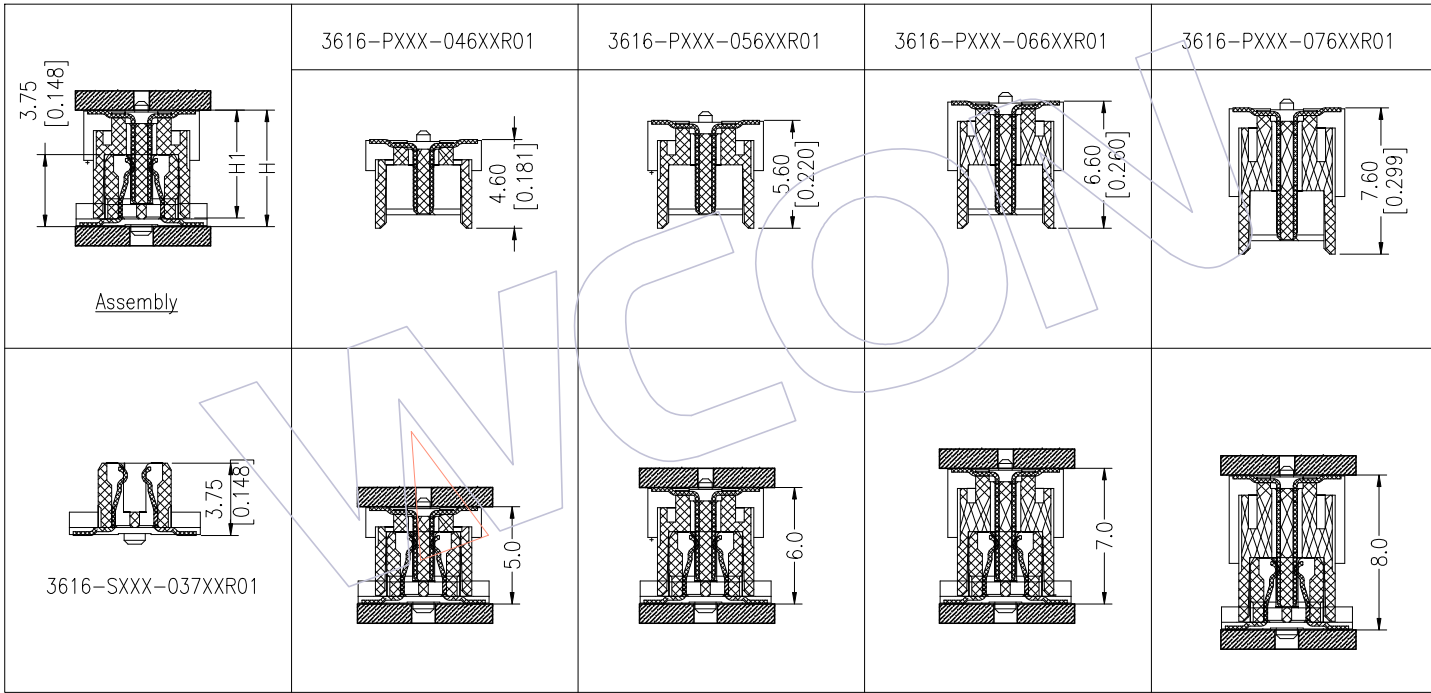
79.20	85.80	84.20	200
71.20	77.80	76.20	180
63.20	69.80	68.20	160
55.20	61.80	60.20	140
47.20	53.80	52.20	120
39.20	45.80	44.20	100
31.20	37.80	36.20	80
23.20	29.80	28.20	60
15.20	21.80	20.20	40
DIM.C	DIM.B	DIM.A	PIN NO.

REV	DATE	MODIFICATION DESCRIPTION	CHANGE	OPERATION	DRAW	DATE	SCALE	FIT	PART NO.
A2	2022/02/24	Add Housing Material	△△	X.X ±0.40	GH	2022/02/24	UNIT	mm	3616-SXXX-037XXRXX
A1	2014/11/07	Modify	△△	X.XX ±0.25	CHECK	DATE	inch	SIZE	
A0	2014/06/24	NEW	—	X.XXX ±0.15	APPROVE	DATE	SHEET	1/2	
				Angle ± 3'			PROJ.	Customer NO.	

WCON
 Http: www.wcon.com

WCON-Dongguan Tel: +86 769 85358920 Fax: +86 769 85358915 E-mail: sales@wcon.com
 WCON-Kunshan Tel: +86 512 57468408 Fax: +86 512 57468468 E-mail: salesks@wcon.com

HSF



REV	DATE	MODIFICATION DESCRIPTION	CHANGE	OPERATION	DRAW	DATE	SCALE	FIT	PART NO.
A2	2022/02/24	Add Housing Material		X.X ±0.40	GH	2022/02/24	UNIT	mm	Δ 3616-SXXX-037XXRXX TITLE: 0.80mm B TO B Female H=3.75 "T" TYPE SMT Customer NO.
A1	2014/11/07	Modify		X.XX ±0.25	CHECK	DATE	SIZE	inch	
A0	2014/06/24	NEW		X.XXX ±0.15	APPROVE	DATE	SHEET	A4	
				Angle ± 3'			PROJ.	2/2	
				DIM TOL					

WCON
 Http: www.wcon.com

WCON-Dongguan Tel: +86 769 85358920
 Fax: +86 769 85358915
 E-mail: sales@wcon.com

WCON-Kunshan Tel: +86 512 57468408
 Fax: +86 512 57468468
 E-mail: salesks@wcon.com