

HSF

NOTES:
 Current Rating:0.5AMP
 Contact Resistance:30mΩ max
 Withstand Voltage:100V AC/DC
 Insulation Resistance:500MΩ min
 Operation Temperature:-40℃ to +125℃

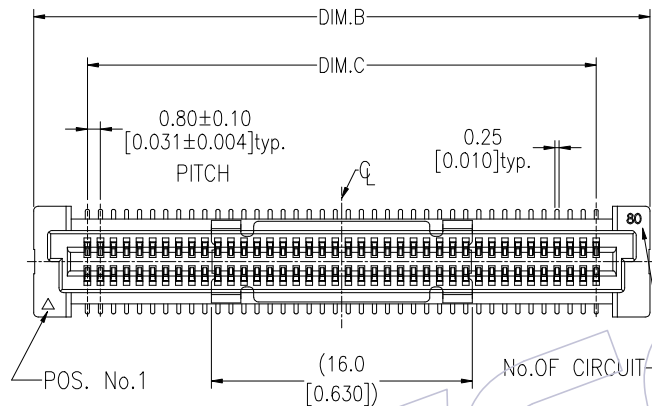
Contact Material:Phosphor Bronze
 Cap Material:SUS,t=0.25mm
 Housing Material:LCP/PA9T(UL94V-0),Nature \triangle
 Contact plating:Au and Tin over Ni

Flatness: <80Pins The "M" Is 0.12mm MAX
 ≥80Pins The "M" Is 0.15mm MAX

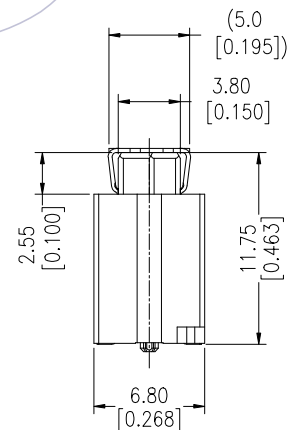
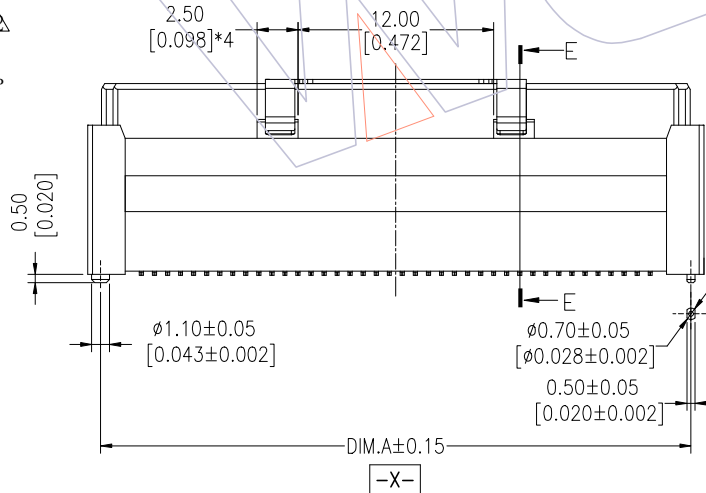
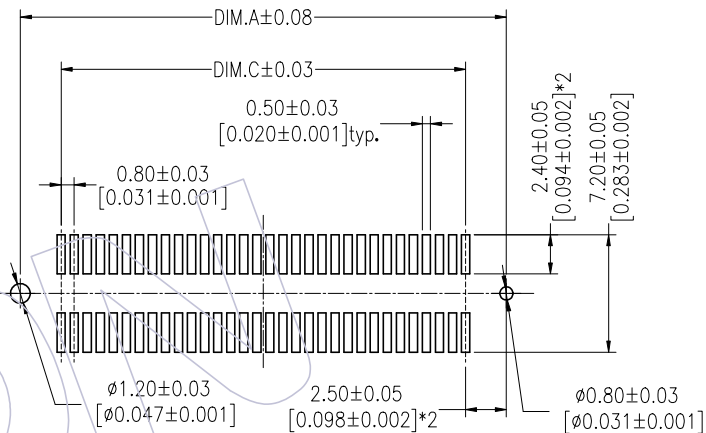
Ordering Information

3616-S XXX - 117 XX R XX \triangle

No.of Pins Housing High Contact Plating R=Tape&Reel+CAP
 S1=3u"Gold/Tin S3=10u"Gold/Tin
 \triangle



Recommended P. C. B Layout (Top Side)
 (PCB BOARD TOLERANCE ±0.05)



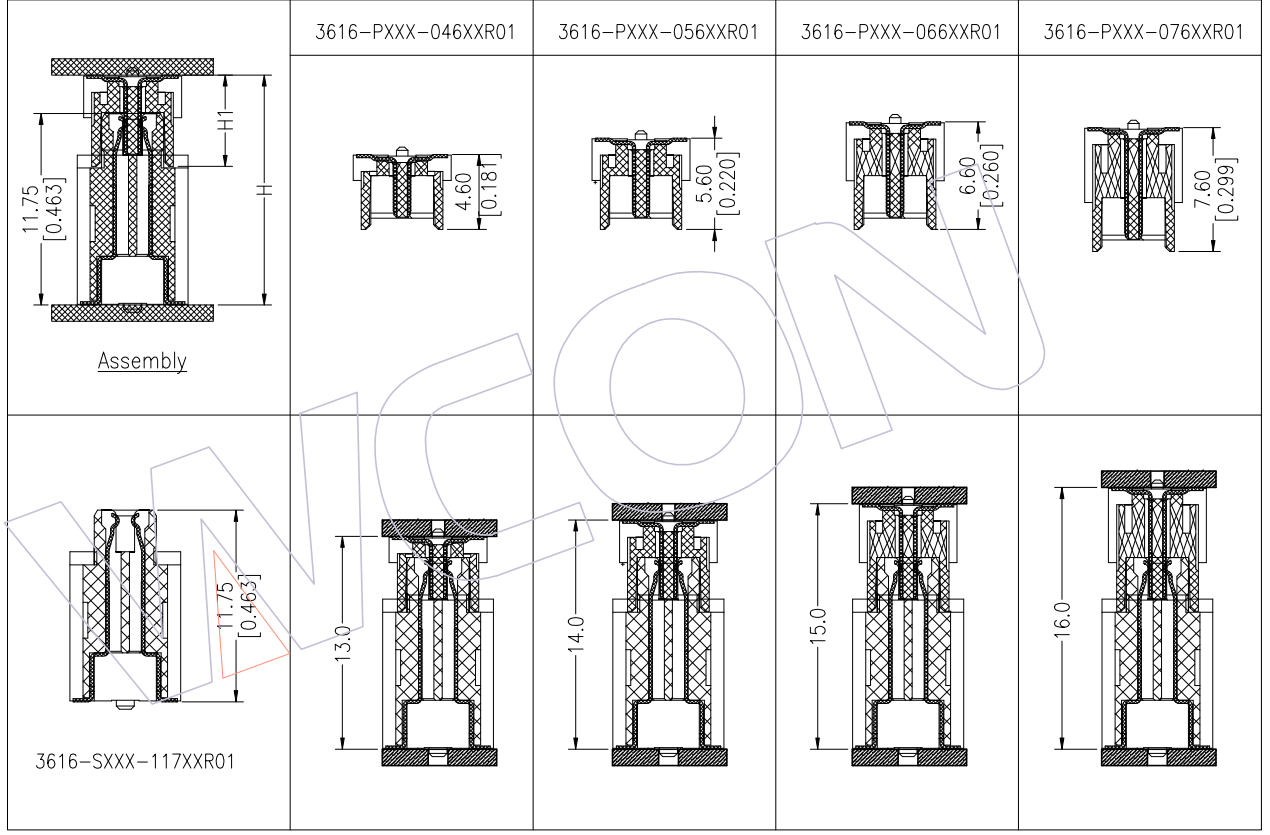
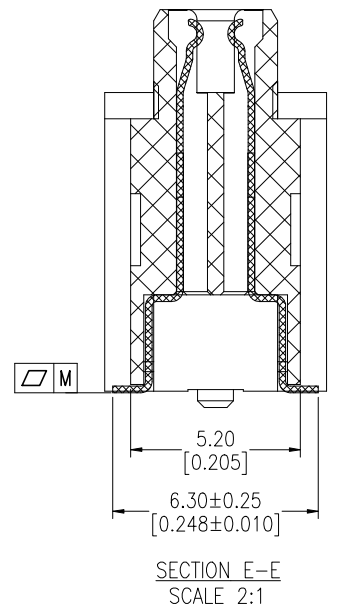
79.20	85.80	84.20	200
71.20	77.80	76.20	180
63.20	69.80	68.20	160
55.20	61.80	60.20	140
47.20	53.80	52.20	120
39.20	45.80	44.20	100
31.20	37.80	36.20	80
23.20	29.80	28.20	60
15.20	21.80	20.20	40
DIM.C	DIM.B	DIM.A	PIN NO.

REV	DATE	MODIFICATION DESCRIPTION	CHANGE	OPERATION	DRAW	DATE	SCALE	FIT	PART NO.
A2	2022/02/24	Add Housing Material	\triangle	X.X ±0.40	GH	2022/02/24	UNIT	mm	3616-SXXX-117XXRXX
A1	2014/11/07	Modify	\triangle	X.XX ±0.25	CHECK	DATE	SIZE	inch	
A0	2014/06/24	NEW	—	X.XXX ±0.15	APPROVE	DATE	SHEET	1/2	TITLE: 0.80mm B TO B Female H=11.75 "T" TYPE SMT
				Angle ± 3'			PROJ.	Customer NO.	
				DIM TOL					

WCON
 Http: www.wcon.com

WCON-Dongguan WCON-Kunshan
 Tel: +86 769 85358920 Tel: +86 512 57468408
 Fax: +86 769 85358915 Fax: +86 512 57468468
 E-mail: sales@wcon.com E-mail: salesks@wcon.com

HSF



REV	DATE	MODIFICATION DESCRIPTION	CHANGE	OPERATION	DRAW	DATE	SCALE	FIT	PART NO.
A2	2022/02/24	Add Housing Material		X.X ±0.40	GH	2022/02/24	UNIT	mm	3616-SXXX-117XXRXX
A1	2014/11/07	Modify		X.XX ±0.25	CHECK	DATE	inch	SIZE	
A0	2014/06/24	NEW	—	X.XXX ±0.15	APPROVE	DATE	SHEET	2/2	TITLE: 0.80mm B TO B Female H=11.75 "T" TYPE SMT
				Angle ± 3'			PROJ.		Customer NO.
				DIM TOL					

WCON
Http: www.wcon.com

WCON-Dongguan Tel: +86 769 85358920 Fax: +86 769 85358915 E-mail: sales@wcon.com	WCON-Kunshan Tel: +86 512 57468408 Fax: +86 512 57468468 E-mail: salesks@wcon.com
---	--