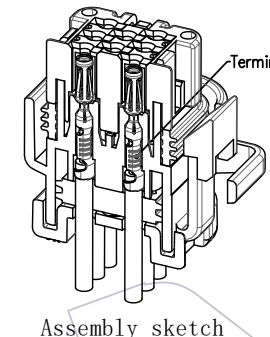
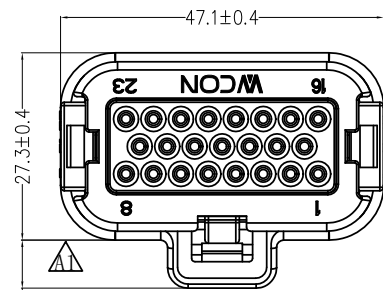
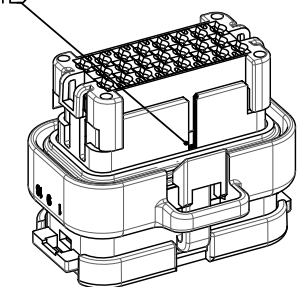
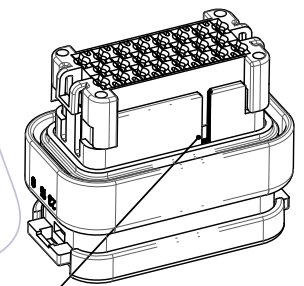
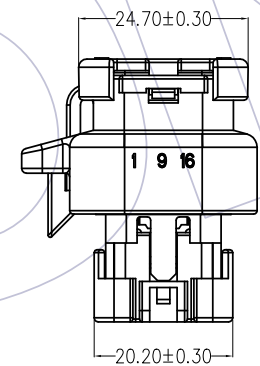
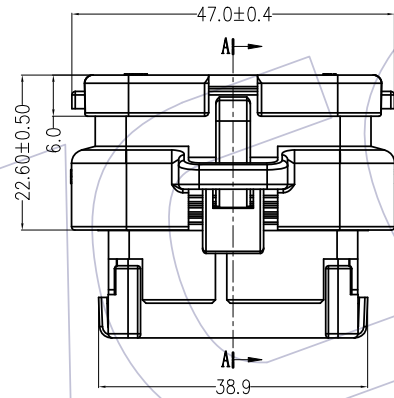
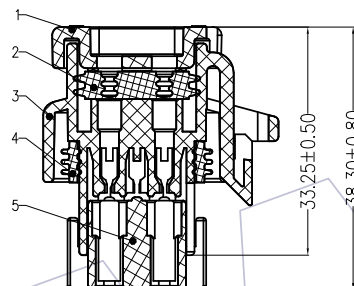


NOTES:
 No. of Positions: 23 Pin
 Housing Material: PBT
 Wire Size Range: 20-16AWG(1.0-1.5mm²)
 Operation Temperature: -40°C to +125°C
 Waterproof grade: IP68/IP69K(After installation)



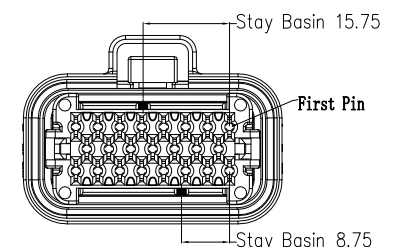
Serial Number	Part Name	Material	Consumption
1	Line end shell	PBT / BLACK	1
2	Line end sealing ring	Silicon rubber	1
3	Main body	PBT / WHITE	1
4	Main sealing ring	Silicon rubber	1
5	Lock cover	PBT / RED	1



Stay Basin

Matched Plug Number:

74040-3MS023ABXXNA2 (W)
74040-3MS023ABXXJA2 (W)
74040-3MR023ABXXNA2 (W)
74040-3MR023ABXXJA2 (W)



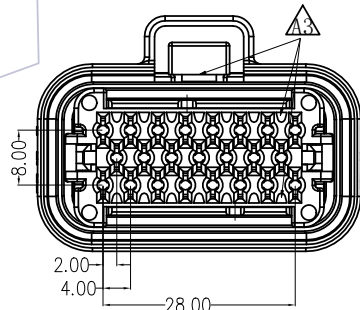
Ordering Information

74040-3FC 023 A N 00 W A 2 W

No. of Pins:
023=23P

Body Material:
A=PBT

A=Tray
 W=W/T WCON LOGO
 Blank=W/O LOGO



REV	DATE	MODIFICATION DESCRIPTION	CHANGE	DIM	TOL	OPERATION	DATE	SCALE	FIT	PART NO.
A3	2021/09/03	Modify;ADD W/O LOGO SPEC. &P/N	—			OPERATION	2021/09/03	UNIT	mm	74040-3FC023AN00WA2 (W) ^{A3}
A2	2019/03/18	Modify	—	X.X	±0.40	CHECK	DATE	SIZE	inch	TITLE:
A1	2018/11/29	Modify	—	X.XX	±0.25	APPROVE	DATE	SHEET	A4	4.0X4.0 three row car connector
A0	2018/09/01	NEW	—	X.XXX	±0.15		DATE	PROJ.	1/1	line end 23P socket
				Angle	± 3'					Customer NO.



WCON-Dongguan Tel: +86 769 85358920 Fax: +86 769 85358915 E-mail: sales@wcon.com
 WCON-Kunshan Tel: +86 512 57468408 Fax: +86 512 57468468 E-mail: sales@wcon.com