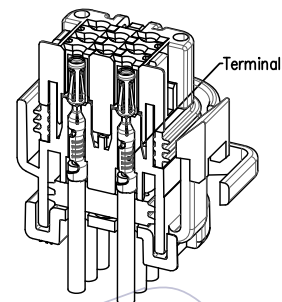
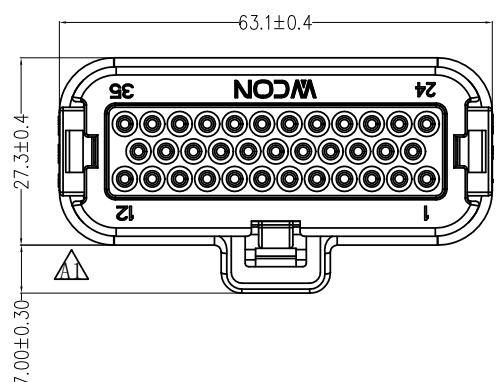
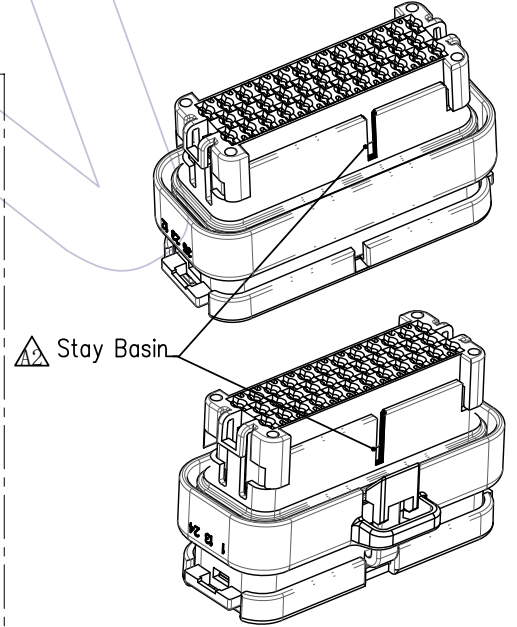
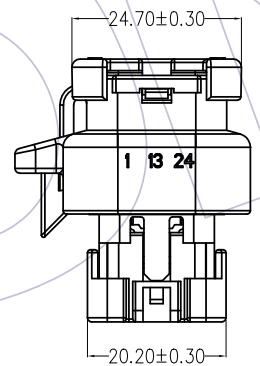
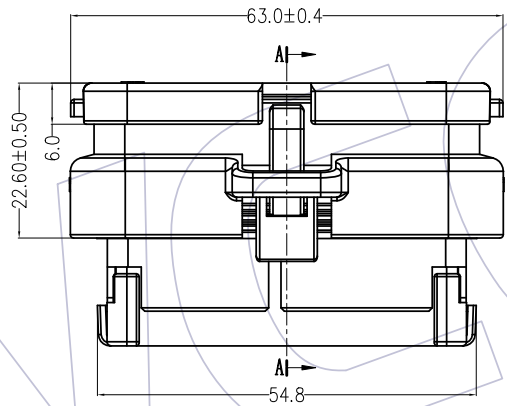
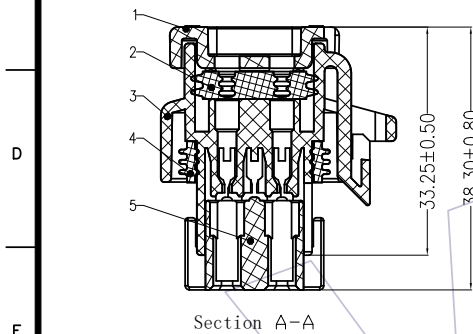


NOTES:
 No. of Positions: 35 Pin
 Housing Material: PBT
 Wire Size Range: 20-16AWG(1.0-1.5mm²)
 Operation Temperature: -40°C to +125°C
 Waterproof grade: IP68/IP69K(After installation)

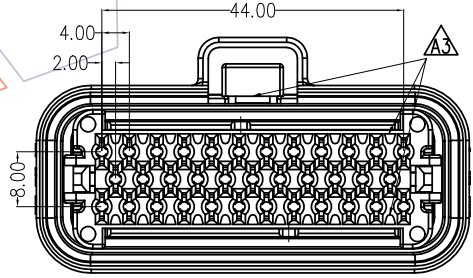


Serial Number	Part Name	Material	Consumption
1	Line end shell	PBT / BLACK	1
2	Line end sealing ring	Silicon rubber	1
3	Main body	PBT / WHITE	1
4	Main sealing ring	Silicon rubber	1
5	Lock cover	PBT / RED	1



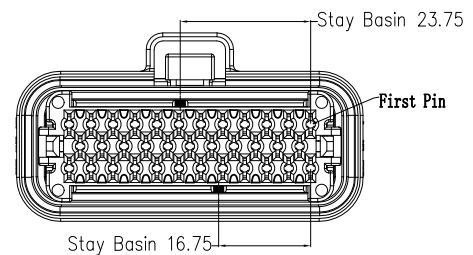
Ordering Information
 74040-3FC 035 A N 00 W A 2 W

No. of Pins: 035=35P
 Body Material: A=PBT
 A=Tray
 W=W/T WCON LOGO
 Blank=W/O LOGO



Matched Plug Number:

74040-3MS035ABXXNA2 (W)
74040-3MS035ABXXJA2 (W)
74040-3MR035ABXXNA2 (W)
74040-3MR035ABXXJA2 (W)



REV	DATE	MODIFICATION DESCRIPTION	CHANGE	DIM	TOL	OPERATION	APPROVE	DATE	SHEET	PROJ.	PART NO.	TITLE:
A3	2021/09/03	Modify;ADD W/O LOGO SPEC. &P/N	XSR			OPERATION		DATE	SCALE	FIT	74040-3FC035AN00WA2 (W)	4.0X4.0 three row car connector line end 35P socket
A2	2019/03/18	Modify		X.X	±0.40	OPERATION		DATE	UNIT	mm		
A1	2018/11/29	Modify		X.XX	±0.25	CHECK		DATE	SIZE	inch		
A0	2018/09/01	NEW		X.XXX	±0.15	CHECK		DATE	SHEET	1/1		
				Angle	± 3'	APPROVE		DATE	PROJ.		Customer NO.	

WCON
 Http: www.wcon.com

WCON-Dongguan Tel: +86 769 85358920 Fax: +86 769 85358915 E-mail: sales@wcon.com

WCON-Kunshan Tel: +86 512 57468408 Fax: +86 512 57468468 E-mail: salesks@wcon.com