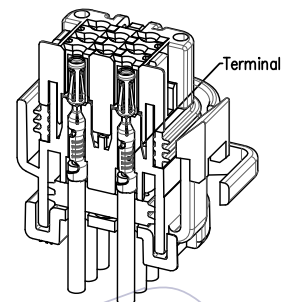
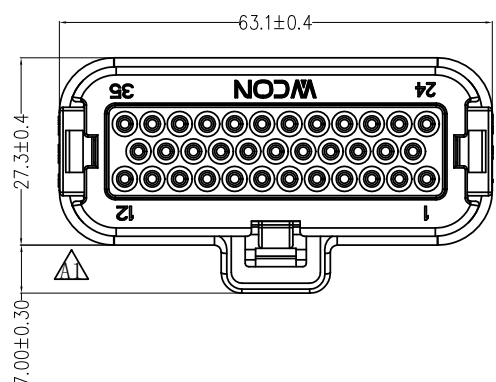
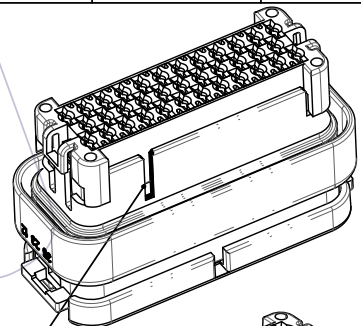


NOTES:
 No. of Positions: 35 Pin
 Housing Material: PBT
 Wire Size Range: 20-16AWG(1.0-1.5mm²)
 Operation Temperature: -40°C to +125°C
 Waterproof grade: IP68/IP69K(After installation)

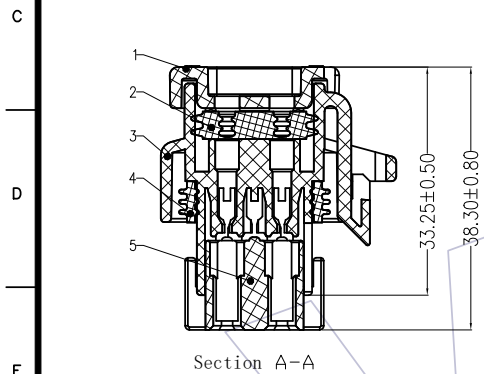
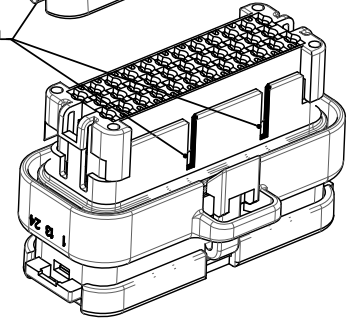


| Serial Number | Part Name | Material | Consumption |
|---------------|-----------------------|----------------|-------------|
| 1 | Line end shell | PBT / BLACK | 1 |
| 2 | Line end sealing ring | Silicon rubber | 1 |
| 3 | Main body | PBT / BLUE | 1 |
| 4 | Main sealing ring | Silicon rubber | 1 |
| 5 | Lock cover | PBT / RED | 1 |

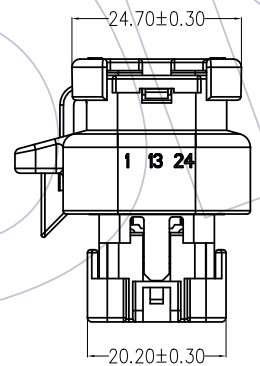
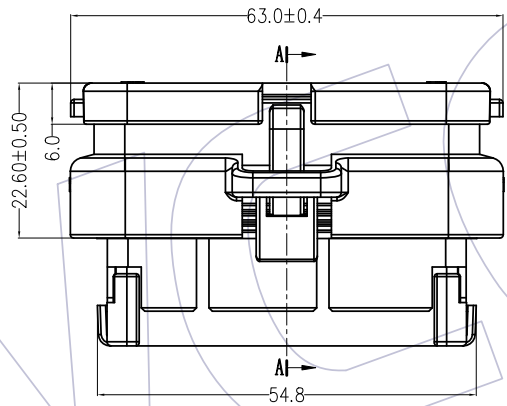
Assembly sketch



Stay Basin



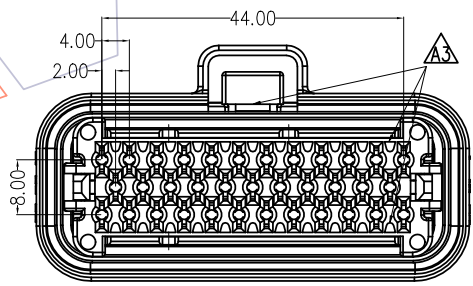
Section A-A



Ordering Information

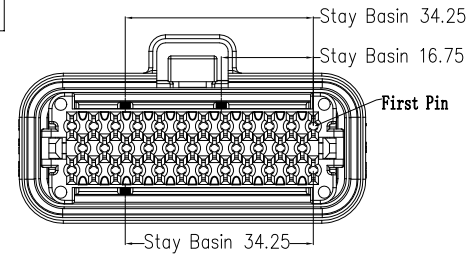
74040-3FC 035 A N 00 W A 4 W

No. of Pins: 035=35P
 Body Material: A=PBT
 A=Tray
 W=W/T WCON LOGO
 Blank=W/O LOGO



Matched Plug Number:

| |
|-------------------------|
| 74040-3MS035ABXXNA4 (W) |
| 74040-3MS035ABXXJA4 (W) |
| 74040-3MR035ABXXNA4 (W) |
| 74040-3MR035ABXXJA4 (W) |



| REV | DATE | MODIFICATION DESCRIPTION | CHANGE | DIM | TOL | OPERATION | DATE | SCALE | FIT | PART NO. |
|-----|------------|--------------------------------|--------|-----|------------|-----------|------------|-------|------|---------------------------------|
| A3 | 2021/09/03 | Modify;ADD W/O LOGO SPEC. &P/N | XSR | | | OPERATION | 2021/09/03 | UNIT | mm | 74040-3FC035AN00WA4 (W) |
| A2 | 2019/03/18 | Modify | | | ±0.40 | CHECK | | SIZE | inch | TITLE: |
| A1 | 2018/11/29 | Modify | | | ±0.25 | | | SHEET | A4 | 4.0X4.0 three row car connector |
| A0 | 2018/09/01 | NEW | | | ±0.15 | APPROVE | | PROJ. | 1/1 | line end 35P socket |
| | | | | | Angle ± 3' | | | | | Customer NO. |

WCON
 Http: www.wcon.com

WCON-Dongguan Tel: +86 769 85358920 Fax: +86 769 85358915 E-mail: sales@wcon.com

WCON-Kunshan Tel: +86 512 57468408 Fax: +86 512 57468468 E-mail: salesks@wcon.com