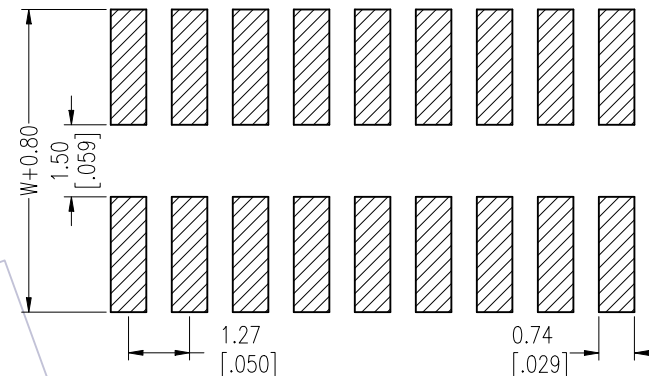
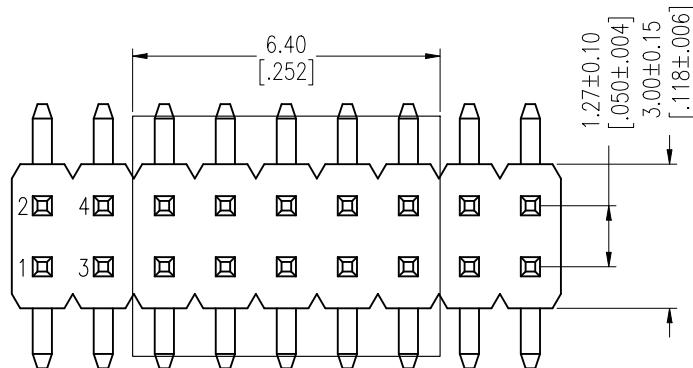


# HSF

NOTES:  
 Rated Current:1.0AMP.  
 Contact Resistance:20mΩ Max.  
 Withstand Voltage:500V AC/DC  
 Insulation Resistance:1000MΩ Min.  
 Operation Temperature:-40°C to +105°C

Contact Material:Brass  
 Contact Plating:Au or Sn Over Ni  
 Insulator Material:PA9T+33%G.F UL94V-0 BK

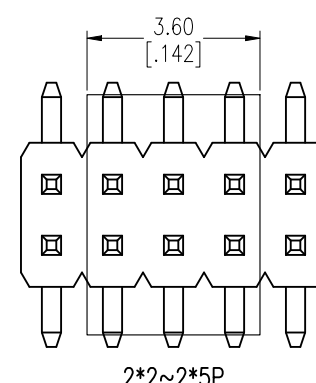
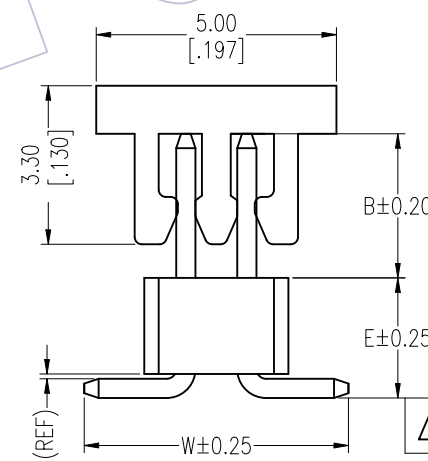
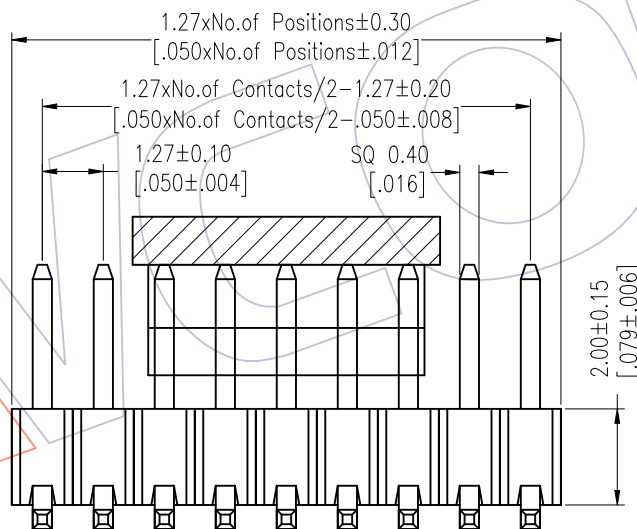
Recommended P.C.B Layout (Top Side)  
 (PCB BOARD TOLERANCE±0.05)



## Ordering Information

### 1320-12 XX XX M XXX C R XX

No. of Pins	Contact Plating	Pin Length	Insulator	Series No.
Per Row:02~50	G0=Gold Flash G3=10u"Gold G4=15u"Gold G5=30u"Gold S0=Gold Flash/Tin S3=10u"Gold/Tin S4=15u"Gold/Tin S5=30u"Gold/Tin SN=Tin SM=Matte Tin	L=B+D+2.0+ <sup>W+1.27</sup> Standard:061=6.1 072=7.2 082=8.2	C=PA9T	01~99
				Packing A=Tray T=Tube P=Tube+CAP R=Tape&Reel+CAP



Item	Pin Length	W	E	B	Mating
Standard	6.1	5.50	2.50	1.90	2321
	7.2	5.50	2.50	3.00	2334
	8.2	5.50	2.50	4.00	2344
Alternate					

PIN(PerRow)	2-15P	16-30P	31-50P
M	0.10	0.15	0.18

A3	2023/02/02	Add Flatness	$\triangle 3$	Du Ying	OPERATION	DRAW	DATE	SCALE	Fit	PART NO.
A2	2021/12/27	MODIFY CAP	$\triangle 2$	Du Ying	x.X ±0.40	Du Ying	2023/02/02	UNIT	mm [inch]	1320-12XXXXMXXXCXXX $\triangle 1$
A1	2018/01/17	MODIFY PART NO.	$\triangle 1$	William Chen	x.XX ±0.25	CHECK	DATE	SIZE	A4	TITLE:
A0	2012/03/22	NEW		-----	x.XXX ±0.15	APPROVE	DATE	SHEET	1/1	1.27 Pin Header, DUAL ROW, SMT, WITHOUT POST, H=2.0
REV	DATE	MODIFICATION DESCRIPTION	CHANGE		Angle ± 3°			PROJ.	$\phi$	Customer NO.
					DIM TOL					

# WCON

Http: www.wcon.com

WCON-Dongguan Tel: +86 769 85358920 Fax: +86 769 85358915 E-mail: sales@wcon.com

WCON-Kunshan Tel: +86 512 57468408 Fax: +86 512 57468468 E-mail: salesks@wcon.com