

HSF

NOTES:
 Rated Current:1.0AMP.
 Contact Resistance:20mΩ Max.
 Withstand Voltage:500V AC/DC
 Insulation Resistance:1000MΩ Min.
 Operation Temperature:-40°C to +105°C

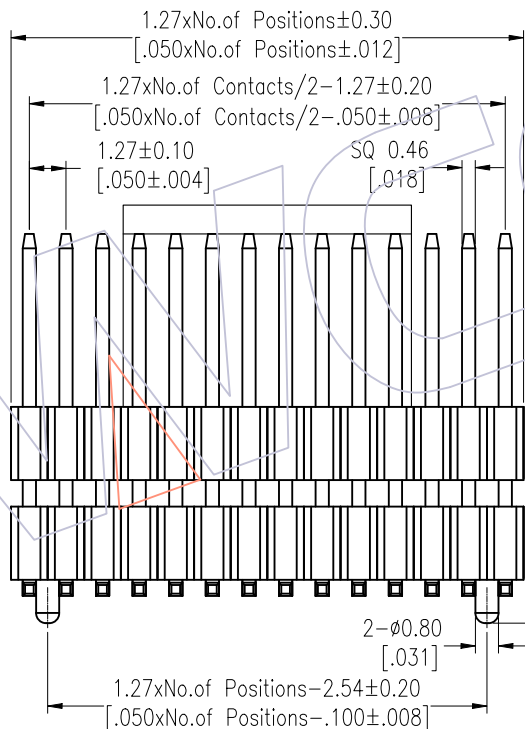
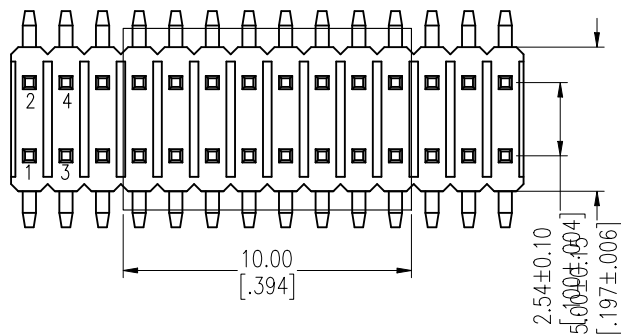
Contact Material:Brass
 Contact Plating:Au or Sn Over Ni
 Insulator Material:PA9T+33%G.F UL94V-0 BK

Ordering Information

1425-22 XX XX M XXX C R XX

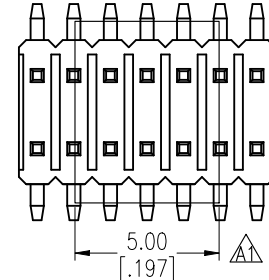
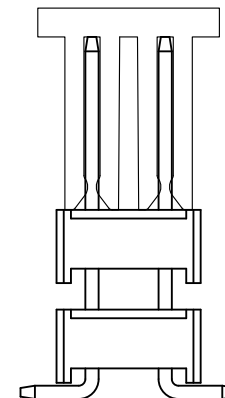
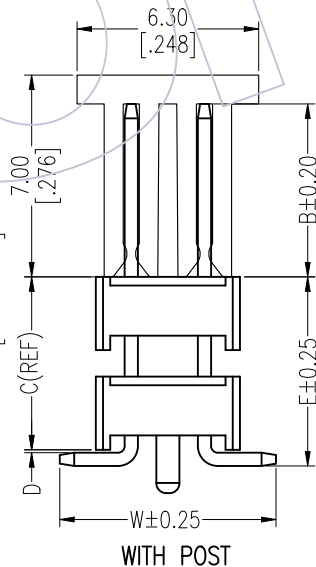
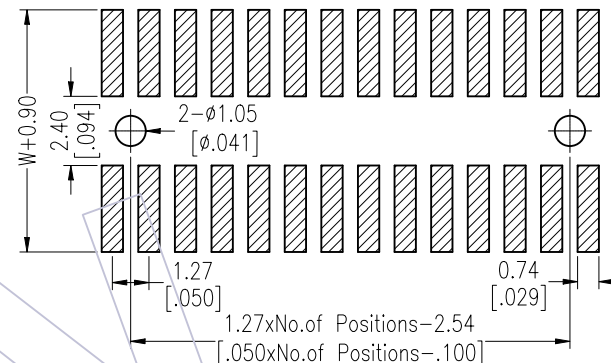
No.of Pins	Contact Plating	Pin Length	Insulator	Series No.
Per Row:02~50	G0=Gold Flash	L=B+C+D+W _{2.54}	C=PA9T	01~99
	G3=10u"Gold			
	G4=15u"Gold			
	G5=30u"Gold			
	S0=Gold Flash/Tin			
	S3=10u"Gold/Tin			
	S4=15u"Gold/Tin			
	S5=30u"Gold/Tin			
	SN=Tin			
	SM=Matte Tin			

Packing
T=Tube
P=Tube+CAP
R=Tape&Reel+CAP



Recommended P.C.B Layout (Top Side)

(PCB BOARD TOLERANCE±0.05)



Item	Pin Length	W	D	B	E	Mating
Standard	--	7.50	0.10	2.80	--	2446
	--	7.50	0.10	6.00	--	2485
Alternate						

△3	PIN(PerRow)	2-15P	16-30P	31-50P
	M	0.10	0.12	0.15

A3	2023/02/02	Add Flatness	△3	Du Ying	OPERATION	DRAW	DATE	SCALE	Fit	PART NO. 1425-22XXXXMXXXCXXX △2
A2	2018/01/12	MODIFY PART NO.	△2	William Chen	X.X ±0.40	Du Ying	2023/02/02	UNIT	mm [inch]	
A1	2012/09/20	Modify Drawing	△1	-----	X.XX ±0.25	CHECK	DATE	SIZE	A4	TITLE: 1.27*2.54 Pin Header, DUAL ROW, SMT, DOUBLE PLASTIC, H=2.54
A0	2012/04/06	NEW	-----	-----	X.XXX ±0.15	APPROVE	DATE	SHEET	1/1	
REV	DATE	MODIFICATION DESCRIPTION	CHANGE	-----	Angle ± 3'	APPROVE	DATE	PROJ.	Customer NO.	

WCON
 Http: www.wcon.com
 WCON-Dongguan Tel: +86 769 85358920
 WCON-Kunshan Tel: +86 512 57468408
 Fax: +86 769 85358915
 Fax: +86 512 57468468
 E-mail: sales@wcon.com
 E-mail: salesks@wcon.com