

HSF

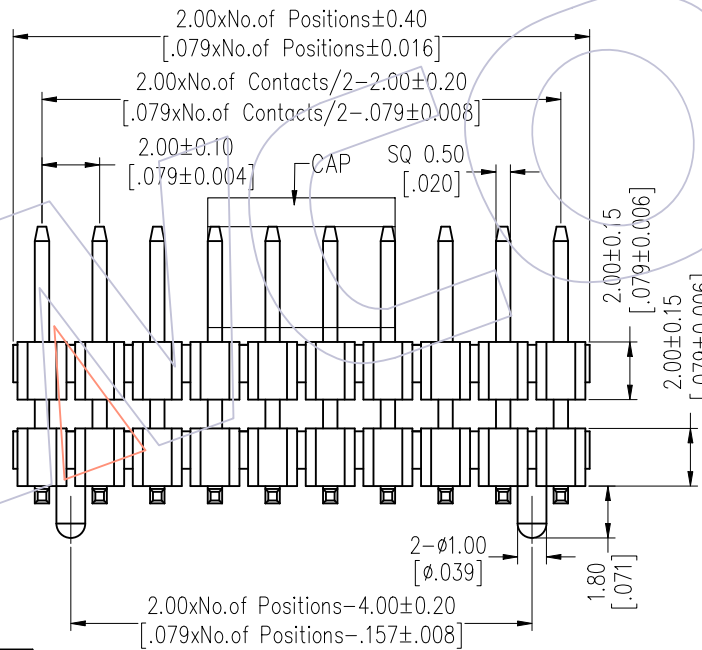
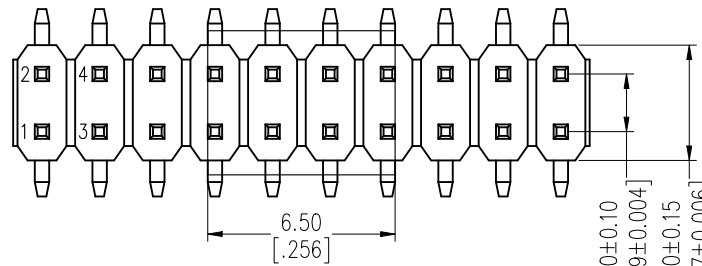
NOTES:
 Rated Current: 2.0AMP.
 Contact Resistance: 20mΩ Max.
 Withstand Voltage: 500V AC/DC
 Insulation Resistance: 1000MΩ Min.
 Operation Temperature: -40°C to +105°C

Contact Material: Brass
 Contact Plating: Au or Sn Over Ni
 Insulator Material: PA9T+33%G.F UL94V-0 BK

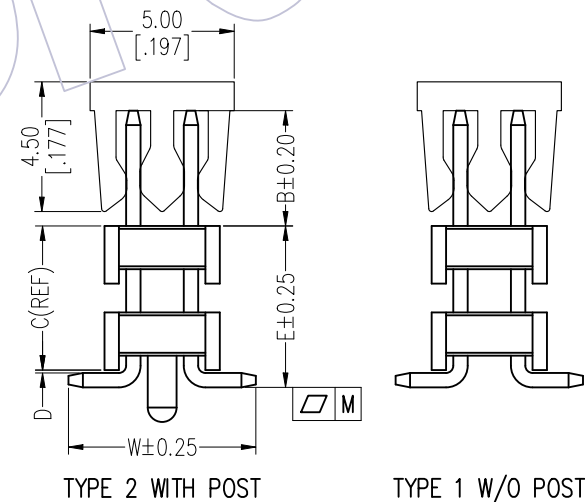
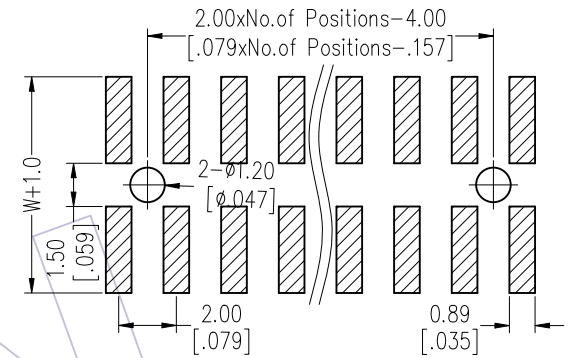
Ordering Information

1220-22 XX XX M XXX C R XX

No. of Pins Per Row: 02-40	Contact Plating G0=Gold Flash G3=10u"Gold G4=15u"Gold G5=30u"Gold S0=Gold Flash/Tin S3=10u"Gold/Tin S4=15u"Gold/Tin S5=30u"Gold/Tin SN=Tin SM=Matte Tin	Pin Length L=B+C+D+W/2 Standard:	Insulator Material C=PA9T	Packing T=Tube P=Tube+CAP R=Tape&Reel+CAP	Series No. 01~99
-------------------------------	---	--	------------------------------	--	---------------------



Recommended P.C.B Layout (Top Side)
 (PCB BOARD TOLERANCE±0.05)



Item	Pin Length	W	D	B	E	Mating
Standard	---	6.50	0.10	4.00	---	2240 2243 2263 2272
Alternate						

PIN(PerRow)	2-15P	16-25P	26-40P
M	0.10	0.15	0.18

REV	DATE	MODIFICATION DESCRIPTION	CHANGE	OPERATION	DRAW	DATE	SCALE	Fit	PART NO.
A2	2023/02/02	Add Flatness	<i>Du Ying</i>	x.X ±0.40	<i>Du Ying</i>	2023/02/02	UNIT	mm	1220-22XXXXMXXCRXX
A1	2018/01/19	Modify P/N	<i>Liu</i>	x.XX ±0.25	CHECK	DATE	SIZE	A4	TITLE: PH2.00 DUAL ROW DOUBLE PLASTIC SMT H=2.0
A0	2012/04/26	NEW	-----	x.XXX ±0.15	APPROVE	DATE	SHEET	1/1	Customer NO.
				Angle ± 3°			PROJ.		
				DIM TOL					

WCON
 Http: www.wcon.com

WCON-Dongguan Tel: +86 769 85358920 Fax: +86 769 85358915 E-mail: sales@wcon.com

WCON-Kunshan Tel: +86 512 57468408 Fax: +86 512 57468468 E-mail: salesks@wcon.com