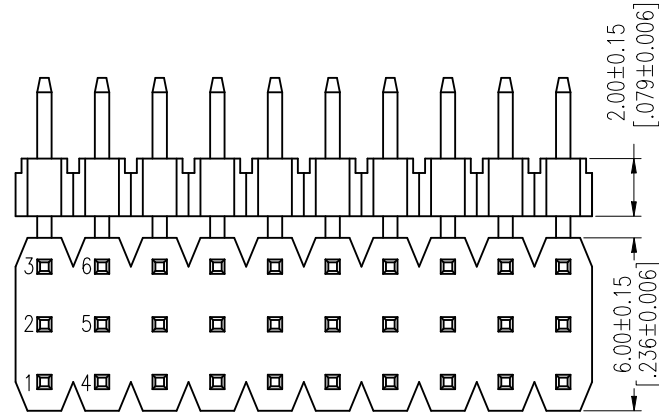
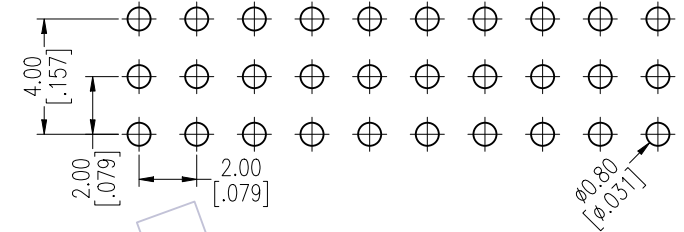


HSF

NOTES:
 Rated Current:2.0AMP.
 Contact Resistance:20mΩ Max.
 Withstand Voltage:500V AC/DC
 Insulation Resistance:1000MΩ Min.
 Operation Temperature:-40°C to +105°C

Contact Material:Brass
 Contact Plating:Au or Sn Over Ni
 Insulator Material:PA9T+33%G.F UL94V-0 BK

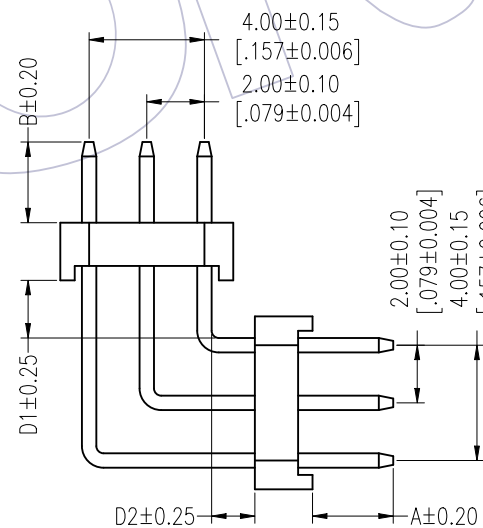
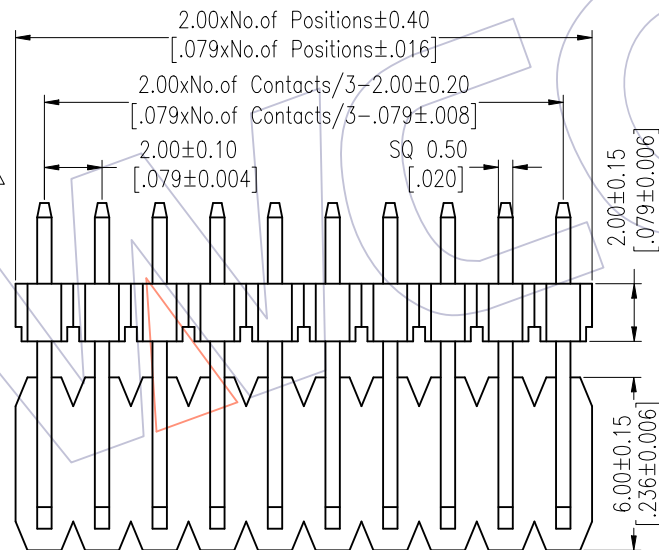
Recommended P.C.B Layout (Top Side)
 (PCB BOARD TOLERANCE±0.05)



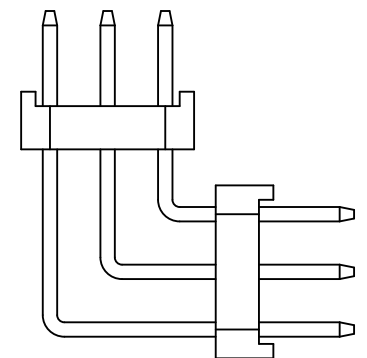
Ordering Information

1220-23 XX XX R XXX C 0 XX Δ

No. of Pins Per Row: 03-40
 Contact Plating: G0=Gold Flash, G3=10u"Gold, G4=15u"Gold, G5=30u"Gold, S0=Gold Flash/Tin, S3=10u"Gold/Tin, S4=15u"Gold/Tin, S5=30u"Gold/Tin, SN=Tin, SM=Matte Tin
 Pin Length(Short) L=A+B+D1+D2+4.2 Standard:
 Packing: 0=PE Bag, T=Tube
 Series No. 01-99
 Insulator Material C=PA9T



TYPE 3



TYPE 4

Item	Pin Length	A	D1	B	D2
Standard	---	2.80	---	2.80	---
Alternate					

OPERATION	DRAW	DATE	SCALE	Fit	PART NO.
X.X ±0.40	<i>Liu</i>	2018.01.19	UNIT mm		1220-23XXXXRXXXC0XX Δ
X.XX ±0.25	CHECK	DATE	SIZE A4		TITLE: PH2.00 THREE ROW DOUBLE PLASTIC 90° H=2.0 MIDDLE BENDING
X.XXX ±0.15	APPROVE	DATE	SHEET 1/1		Customer NO.
Angle ± 3'			PROJ.		
DIM TOL					

WCON
 Http: www.wcon.com
 WCON-Dongguan Tel: +86 769 85358920
 WCON-Kunshan Tel: +86 512 57468408
 Fax: +86 769 85358915
 Fax: +86 512 57468468
 E-mail: sales@wcon.com
 E-mail: salesks@wcon.com