



HSF

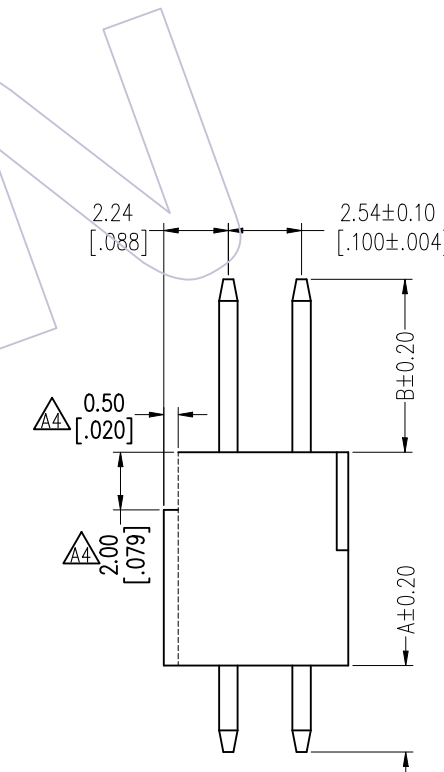
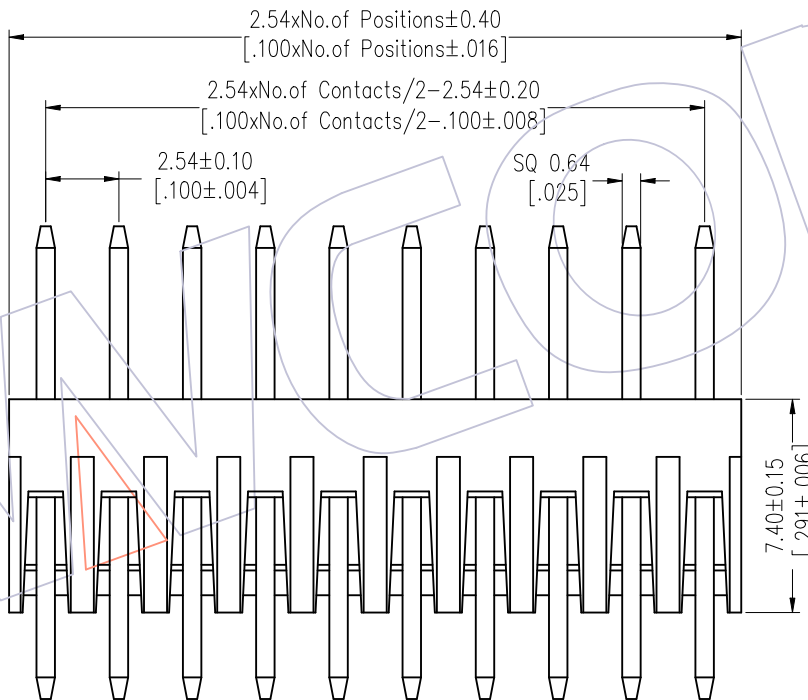
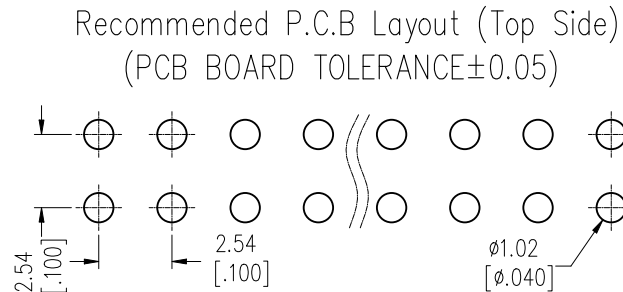
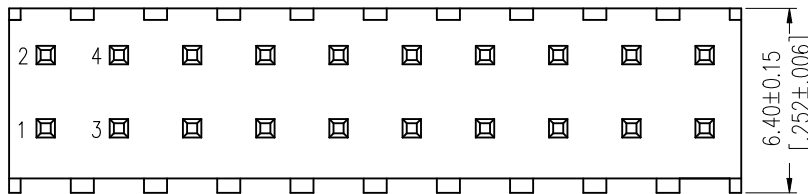
NOTES:
 Rated Current: 3.0AMP.
 Contact Resistance: 20mΩ Max.
 Withstand Voltage: 1000V AC/DC
 Insulation Resistance: 1000MΩ Min. 
 Operation Temperature: -40°C to +125°C(Au)
 -40°C to +105°C(Sn)
 Contact Material: Brass
 Contact Plating: Au or Sn Over Ni
 Insulator Material: PA9T+33%G.F UL94V-0 BK



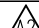
Ordering Information

1174-12 XX XX S XXX C 0 XX 

No. of Pins Per Row: 02-40	Contact Plating G0=Gold Flash G3=10u"Gold G4=15u"Gold G5=30u"Gold S0=Gold Flash/Tin S3=10u"Gold/Tin S4=15u"Gold/Tin S5=30u"Gold/Tin SN=Tin SM=Matte Tin	Pin Length L=A+B+7.4 Standard: 164=16.4	Insulator Material C=PA9T	Packing 0=PE Bag T=Tube	Series No. 01-99
-------------------------------	---	---	---------------------------------	-------------------------------	---------------------

Item	Pin Length	A	B
Standard	16.40	3.00	6.00
	18.00	4.50	6.10 
Alternate			



REV	DATE	MODIFICATION DESCRIPTION	CHANGE	OPERATION	DRAW	DATE	SCALE	Fit	PART NO.
A4	2019/03/25	Modify Drawing		OPERATION	DRAW	2019/03/25	UNIT	mm	1174-12XXXXXXC0XX
A3	2018/01/22	Modify P/N		x.X ±0.40	XSR	DATE	mm		
A2	2013/03/01	Modify The Material		x.XX ±0.25	CHECK	DATE	SIZE	A4	PH2.54 DUAL ROW 180° H=7.4
A0	2012/05/08	NEW	-----	x.XXX ±0.15		DATE	SHEET	1/1	
				Angle ± 3°	APPROVE	DATE	PROJ.		Customer NO.
				DIM TOL					

WCON
 Http: www.wcon.com
 WCON-Dongguan Tel: +86 769 85358920
 WCON-Kunshan Tel: +86 512 57468408
 Fax: +86 769 85358915 Fax: +86 512 57468468
 E-mail: sales@wcon.com E-mail: salesks@wcon.com