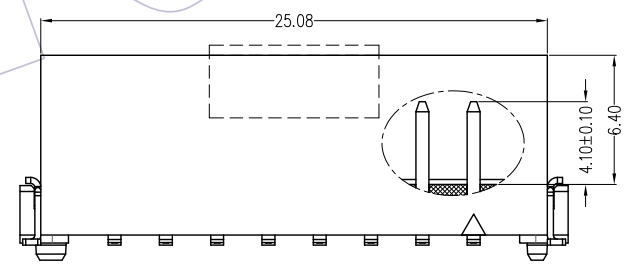
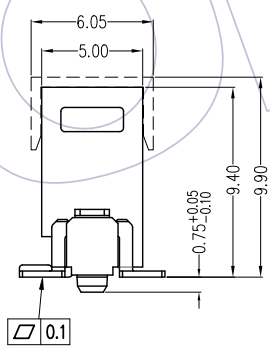
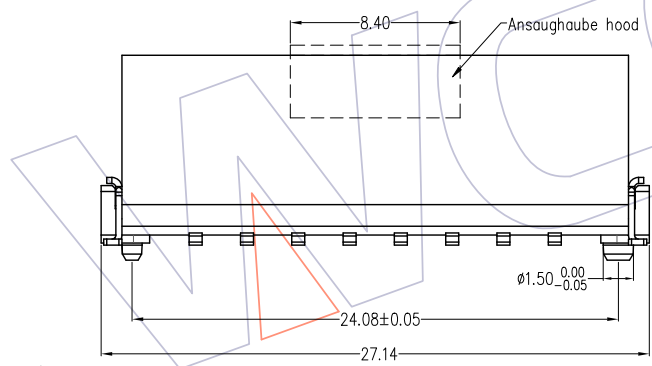
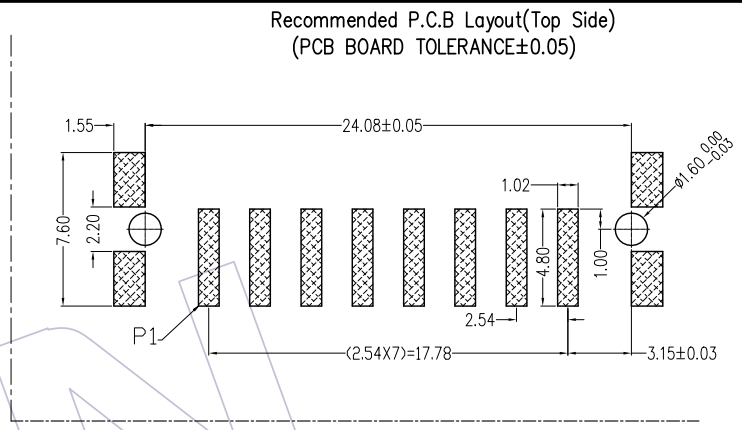
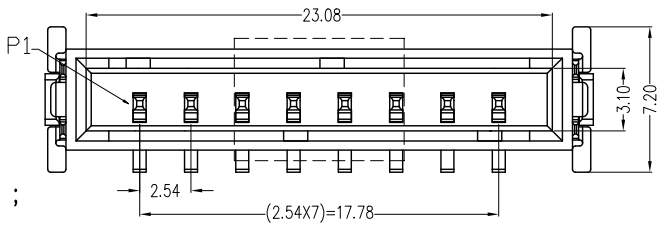


HSF

NOTES:

- No. of Positions: 8 Pin
- Rated Current: 12.0 A Max;
- Contact Resistance: 20mΩ Max;
- Withstand Voltage: 2000V AC;
- Insulation Resistance: 1000MΩ Min ;
- Operation Temperature: -55℃ to +150℃ ;

- Contact Material: Copper Alloy
- Contact Plating: Au or Sn Over Ni
- Insulator Material: High Temperature Thermoplastic(UL94V-0)

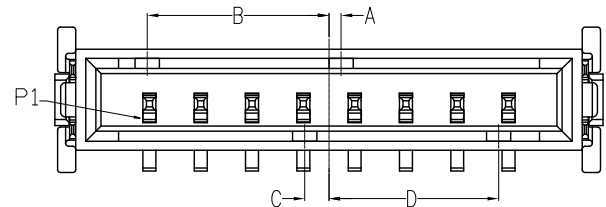


Ordering Information


3915-P 08-1 M XX W D X R 1

Contact Plated:
W3=10u" Gold /Matte Sn
W4=15u" Gold /Matte Sn
W5=30u" Gold /Matte Sn

Color:
B=BLACK
U=BLUE
G=GREEN
R=RED



PART NO.	COLOR	防呆尺寸			
		A	B	C	D
3915-P08-1MXXWDBR1	BLACK	0.6	9.0	1.2	8.4
3915-P08-1MXXWDUR1	BLUE	1.8	7.8	2.4	7.2
3915-P08-1MXXWDGR1	GREEN	3.0	6.6	3.6	6.0
3915-P08-1MXXWDRR1	RED	4.2	5.4	4.8	4.8

				OPERATION	DRAW	DATE	SCALE	FIT	PART NO.	 Http: www.wcon.com WCON-Dongguan Tel: +86 769 85358920 WCON-Kunshan Tel: +86 512 57468408 Fax: +86 769 85358915 Fax: +86 512 57468468 E-mail: sales@wcon.com E-mail: salesks@wcon.com
				X.X ±0.40	XSR	2019/12/11	UNIT	mm	3915-P08-1MXXWDXR1	
				X.XX ±0.25	CHECK	DATE	SIZE	inch	TITLE:	
AO	2019/12/11	NEW		X.XXX ±0.15	APPROVE	DATE	SHEET	A4	LSC Connector - Single Row 180°SMT Plug (8 PIN)	
REV	DATE	MODIFICATION DESCRIPTION	CHANGE	Angle ± 3'			PROJ.	1/1	Customer NO.	