

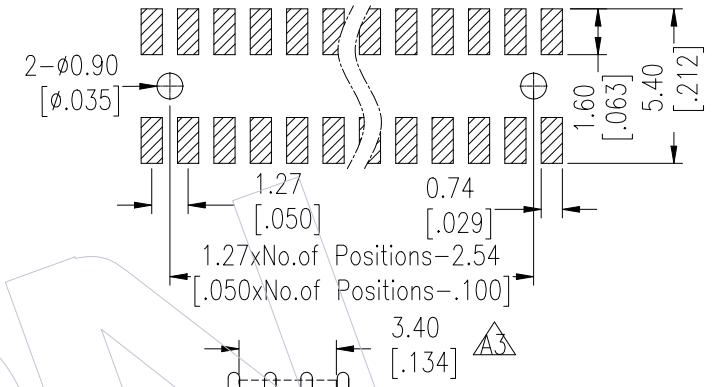
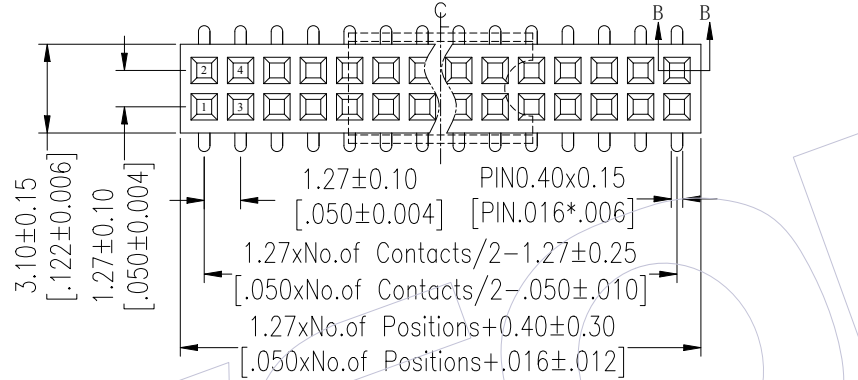
HSF

NOTES:

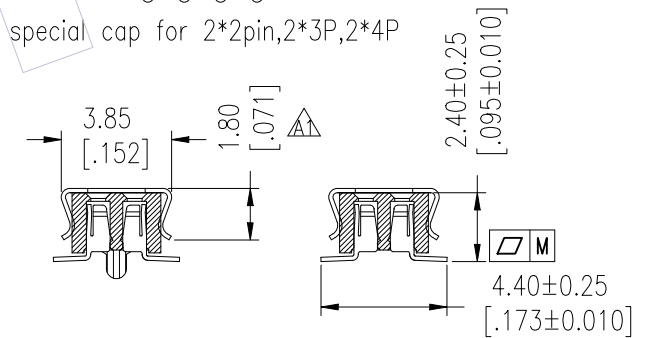
Current Rating: 1.0AMP
 Contact Resistance: 20mΩ Max
 Withstand Voltage: 500V AC
 Insulation Resistance: 1000MΩ Min
 Operation Temperature: -40℃ to +105℃

Contact Material: Phosphor Bronze
 Contact plating: Au over Ni
 Insulator Material: PA9T+33%GF UL94V-0

Recommended P.C.B Layout(Top Side)
 (PCB BOARD TOLERANCE ±0.05)



special cap for 2*2pin, 2*3P, 2*4P



TYPE 2 (W/T POST)

TYPE 1 (W/O POST)

SECTION A-A

SECTION B-B

Ordering Information

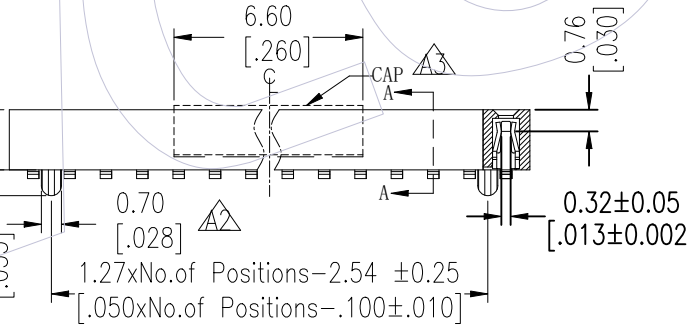
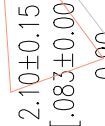
2321-2 XX M XX CUN T X

No.of Pins per Row: 02-50Pin

Contact Plating:
 G0=Gold Flash
 G3=10μ"Gold
 G4=15μ"Gold
 G5=30μ"Gold

Packing:
 T=Tube
 P=Tube+CAP
 R=Tape&Reel+CAP

Series No.
 1=Type 1
 2=Type 2



Item	Pitch	Mating
Standard	1.27	1310/1315/1320
Alternate		

Pin(Per Row)	2-15P	16-30P	31-50P
M	0.10	0.15	0.18

TITLE	PART NO.
TYPE 1	2321-2XXMXXCUNT1
TYPE 2	2321-2XXMXXCUNT2

REV	DATE	MODIFICATION DESCRIPTION	CHANGE	OPERATION	DRAW	DATE	SCALE	FIT	PART NO.
A4	2022/02/03	Modify Flatness							SEE TABLE
A3	2014/12/30	Modify CAP		x.x	±0.40	2022/02/03	UNIT	mm	
A2	2014/11/04	Modify Post		x.xx	±0.25		SIZE	A4	
A0	2012/07/06	NEW		x.xxx	±0.15		SHEET	1/1	
				Angle	± 3'				Customer NO.
				DIM	TOL		PROJ.		

WCON

Http: www.wcon.com

WCON-Dongguan WCON-Kunshan
 Tel: +86 769 85358920 Tel: +86 512 57468408
 Fax: +86 769 85358915 Fax: +86 512 57468468
 E-mail: sales@wcon.com E-mail: salesks@wcon.com