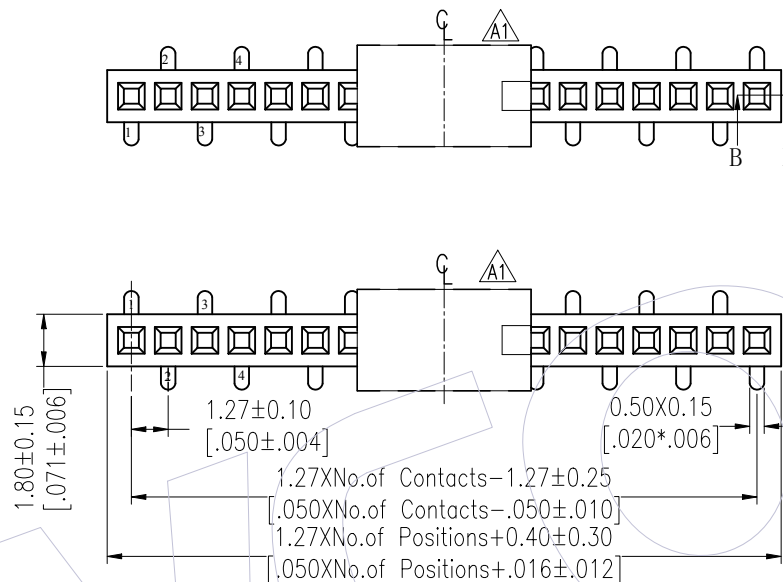
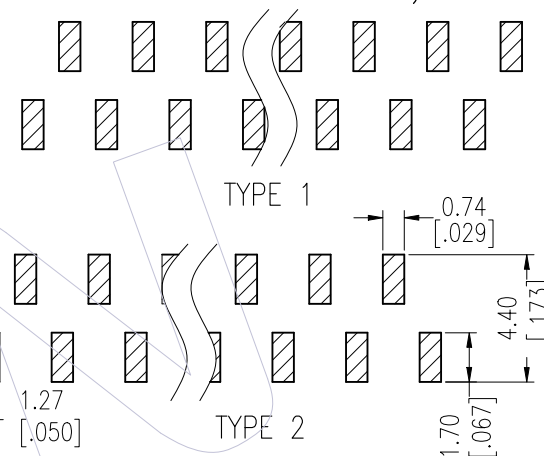


HSF

NOTES:
 Current Rating: 1.0AMP
 Contact Resistance: 20mΩ Max
 Withstand Voltage: 500V AC
 Insulation Resistance: 1000MΩ Min
 Operation Temperature: -40°C to +105°C

Contact Material: Phosphor Bronze
 Contact plating: Au Or Sn over Ni
 Insulator Material: PA9T+33%GF UL94V-0

Recommended P.C.B Layout (Top Side)
 (PCB BOARD TOLERANCE ±0.05)



Ordering Information

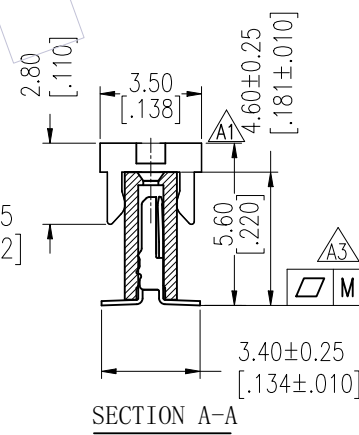
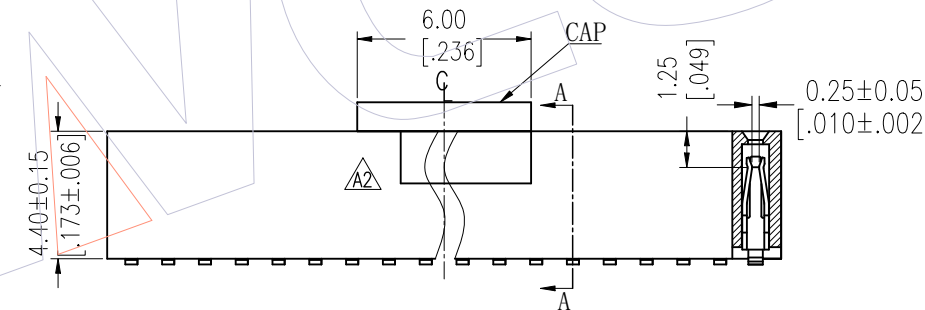
2344-1 XX M XX CUN X X

No. of Pins per Row: 02-50Pin

Contact Plating:
 G0=Gold Flash
 G3=10μ"Gold
 G4=15μ"Gold
 G5=30μ"Gold
 S0=Gold Flash/Tin
 S3=10μ"Gold/Tin
 S4=15μ"Gold/Tin
 S5=30μ"Gold/Tin
 SN=Tin

Packing:
 T=Tube
 P=Tube+CAP
 R=Tape&Reel+CAP

Series No.
 1=Type 1
 2=Type 2



Item	Pitch	Mating
Standard	1.27	1310/1315/1320
Alternate		

Pin (Per Row)	2-15P	16-30P	31-50P
	M	0.10	0.15

TITLE	PART NO.
TYPE 1	2344-1XXMXXXUNX1
TYPE 2	2344-1XXMXXXUNX2

REV	DATE	MODIFICATION DESCRIPTION	CHANGE	ANGLE	DIM	TOL	APPROVE	DATE	SCALE	FIT	PART NO.
A3	2023/02/03	ADD Flatness	A3	XSR	OPERATION	DRAW	DATE	SCALE	FIT	PART NO.	SEE TABLE
A2	2017/04/14	MODIFY CAP	A2	-----	X.X	±0.40	XSR	2023/02/03	UNIT	mm	TITLE: 1.27mm Female Header SINGLE ROW 180°SMT H=4.40
A1	2016/12/15	MODIFY CAP	A1	-----	X.XX	±0.25	CHECK	DATE	SIZE	A4	
A0	2012/07/09	NEW	-----	-----	X.XXX	±0.15	CHECK	DATE	SHEET	1/1	
REV	DATE	MODIFICATION DESCRIPTION	CHANGE	ANGLE	DIM	TOL	APPROVE	DATE	PROJ.	Customer NO.	

WCON
 Http: www.wcon.com

WCON-Dongguan
 Tel: +86 769 85358920
 Fax: +86 769 85358915
 E-mail: sales@wcon.com

WCON-Kunshan
 Tel: +86 512 57468408
 Fax: +86 512 57468468
 E-mail: sales@wcon.com