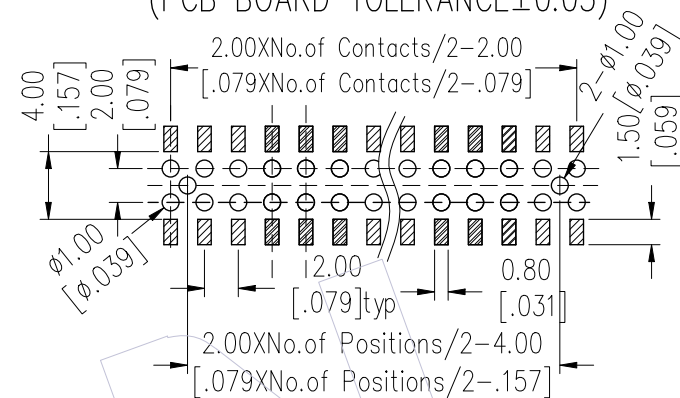
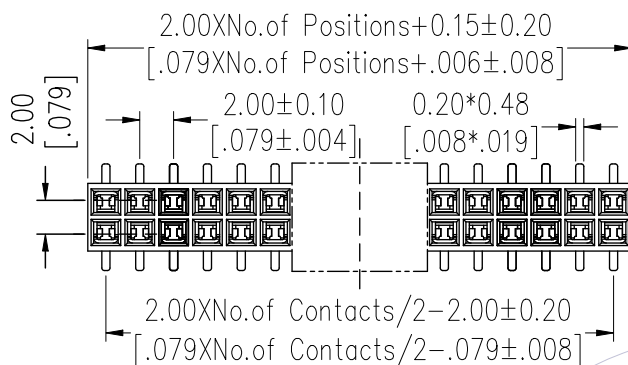


# HSF

NOTES:  
 Current Rating: 2.0AMP  
 Contact Resistance: 20mΩ Max  
 Withstand Voltage: 500V AC  
 Insulation Resistance: 1000MΩ Min  
 Operation Temperature: -40°C to +125°C(Au)  
 -40°C to +105°C(Sn)

Contact Material: Phosphor Bronze  
 Contact plating: Au Or Sn over Ni  
 Insulator Material: LCP+30%GF UL94V-0

Recommended P.C.B Layout(Top Side)  
 (PCB BOARD TOLERANCE ±0.05)



## Ordering Information

2245T - 2 XX M XX D UN X X A1

No. of Pins per ROW: 02-40PIN

Contact Plating:

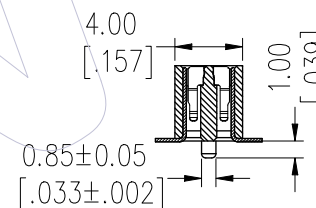
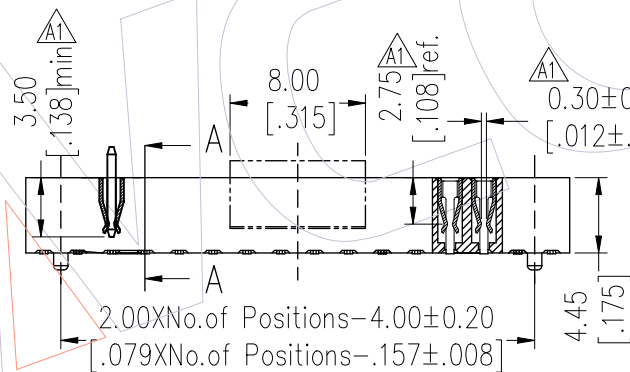
- G0=Gold Flash
- G3=10μ"Gold
- G4=15μ"Gold
- G5=30μ"Gold
- S0=Gold Flash/Tin
- S3=10μ"Gold/Tin
- S4=15μ"Gold/Tin
- S5=30μ"Gold/Tin
- SN=Tin
- SM=Matte Tin

Packing:

- T=Tube
- P=Tube+CAP
- R=Tape&Reel+CAP

TYPE:

- 1=Type 1
- 2=Type 2



TYPE 2 W/T POST      TYPE 1 W/O POST

Item	Pitch	Mating
Standard	2.00	1215/1220
Alternate		

Pin(Per Row)	2-15P	16-25P	26-40P
M	0.10	0.15	0.18

TITLE	PART NO.
TYPE 1	2245T-2XXMXXDUNX1
TYPE 2	2245T-2XXMXXDUNX2

REV	DATE	MODIFICATION DESCRIPTION	CHANGE	OPERATION	DRAW	DATE	SCALE	FIT	PART NO.
A2	2019/11/11	Modify Drawing	A2	x.X ±0.40	Surong Xu	2019/11/11	UNIT	mm	2245T-2XXMXXDUNXX A1
A1	2018/04/03	ADD TYPE 1; ADD DIM.	A1	x.XX ±0.25	CHECK	DATE	SIZE	A4	TITLE: 2.0mm Female Header Dual Row Top Enter H=4.45
A0	2012/07/17	NEW	-----	x.XXX ±0.15	APPROVE	DATE	SHEET	1/1	Customer NO.
				Angle ± 3°			PROJ.		
				DIM TOL					

**WCON**  
 Http: www.wcon.com  
 WCON-Dongguan      WCON-Kunshan  
 Tel: +86 769 85358920      Tel: +86 512 57468408  
 Fax: +86 769 85358915      Fax: +86 512 57468468  
 E-mail: sales@wcon.com      E-mail: salesks@wcon.com