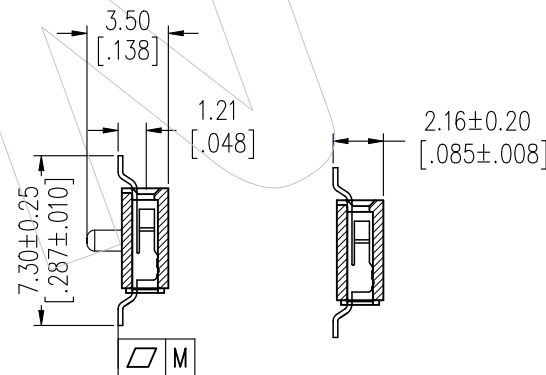
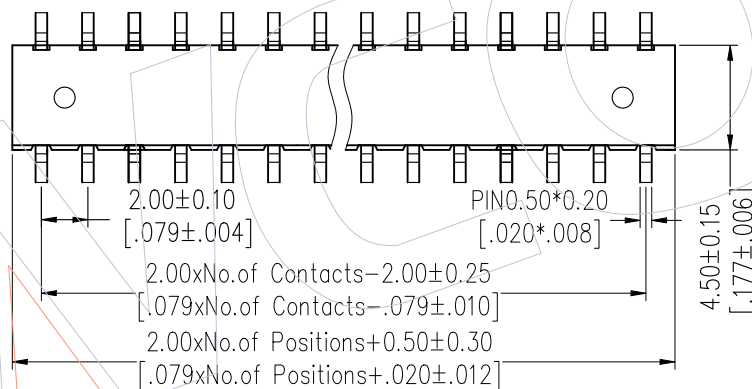
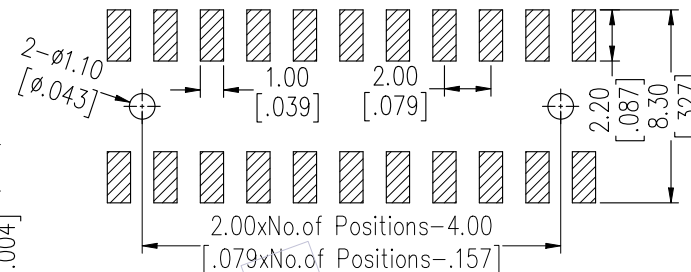
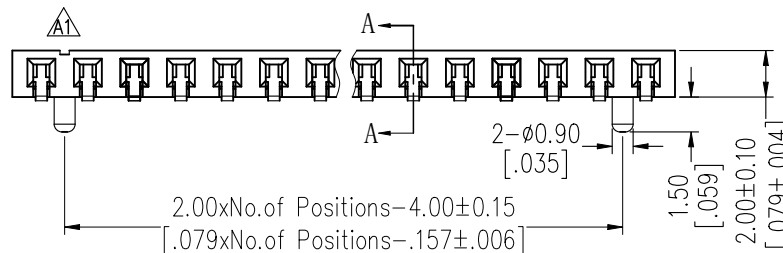


HSF

NOTES:
 Current Rating: 2.0AMP
 Contact Resistance: 20mΩ Max
 Withstand Voltage: 500V AC
 Insulation Resistance: 1000MΩ Min
 Operation Temperature: -40°C to +105°C

Contact Material: Phosphor Bronze
 Contact plating: Au over Ni
 Insulator Material: PA9T+33%G.F UL94V-0

Recommended P.C.B Layout(Top Side)
 (PCB BOARD TOLERANCE ±0.05)



Ordering Information

2220 - 1 XX M XX CUNT X

No. of Pins per ROW: 02-40PIN

Contact Plating:
 G0=Gold Flash
 G3=10μ"Gold
 G4=15μ"Gold
 G5=30μ"Gold

Packing:
 T=Tube

Series No.
 1=TYPE1
 2=TYPE2

Item	Pitch	Mating
Standard	2.00	1220
Alternate		



Pin(Per Row)	2-15P	16-25P	26-40P
M	0.10	0.15	0.20

TITLE	PART NO.
TYPE 1	2220-1XXMXXCUNT1
TYPE 2	2220-1XXMXXCUNT2

REV	DATE	MODIFICATION DESCRIPTION	CHANGE	OPERATION	DRAW	DATE	SCALE	FIT	PART NO.
A2	2023/02/14	Modify Flatness	-----	x.x ±0.40	XSR	2023/02/13	UNIT mm		2220-1XXMXXCUNT X
A1	2013/03/26	Modify Drawing	-----	x.xx ±0.25	CHECK	DATE	SIZE A4		TITLE: 2.0mm Female Header SINGLE ROW 180°SMT SIDE ENTER H=2.0
A0	2012/12/06	NEW	-----	x.xxx ±0.15	APPROVE	DATE	SHEET 1/1		Customer NO.
				Angle ± 3°			PROJ.		
				DIM TOL					

WCON

Http: www.wcon.com

WCON-Dongguan
 Tel: +86 769 85358920
 Fax: +86 769 85358915
 E-mail: sales@wcon.com

WCON-Kunshan
 Tel: +86 512 57468408
 Fax: +86 512 57468468
 E-mail: salesks@wcon.com