

# HSF

**NOTES:**

Current Rating: 2.0AMP  
 Contact Resistance: 20mΩ Max  
 Withstand Voltage: 500V AC  
 Insulation Resistance: 1000MΩ Min  
 Operation Temperature:  $-40^{\circ}\text{C}$  to  $+125^{\circ}\text{C}$ (Au)  
 $-40^{\circ}\text{C}$  to  $+105^{\circ}\text{C}$ (Sn)

Contact Material: Phosphor Bronze  
 Contact plating: Au Or Sn over Ni  
 Insulator Material: PA9T+33%G.F UL94V-0

## Ordering Information

2235 - 2 XX M XX CUN X X

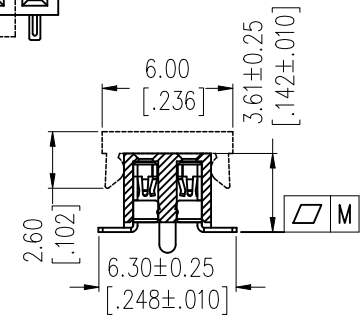
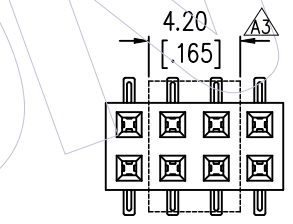
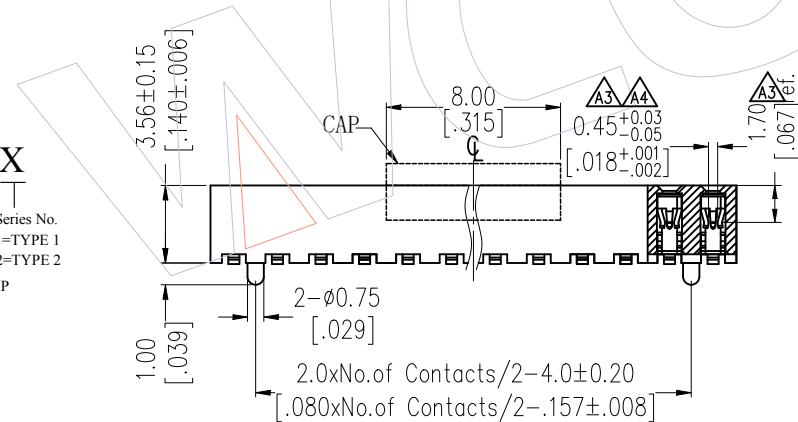
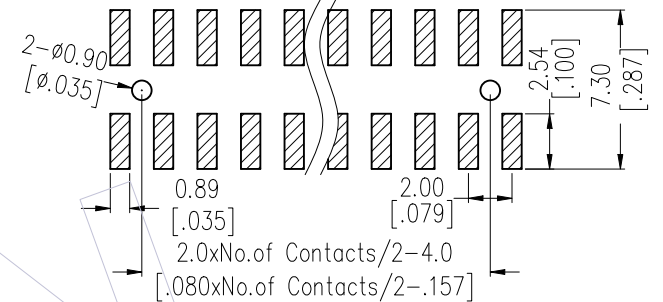
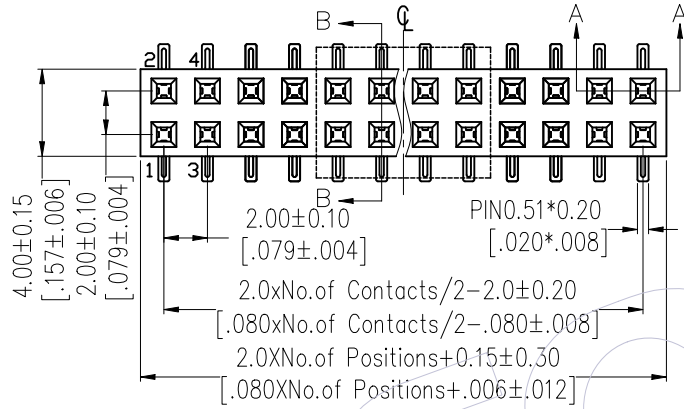
No. of Pins per ROW: 02-40PIN

Contact Plating:  
 G0=Gold Flash  
 G3=10μ"Gold  
 G4=15μ"Gold  
 G5=30μ"Gold  
 S0=Gold Flash/Tin  
 S3=10μ"Gold/Tin  
 S4=15μ"Gold/Tin  
 S5=30μ"Gold/Tin  
 SN=Tin  
 SM=Matte Tin

Packing:  
 T=Tube  
 P=Tube+CAP  
 R=Tape&Reel+CAP

Series No.  
 1=TYPE 1  
 2=TYPE 2

Recommended P.C.B Layout(Top Side)  
 (PCB BOARD TOLERANCE±0.05)



TYPE 1 W/O POST

TYPE 2: WITH POST

SECTION B-B

SECTION A-A

Item	Pitch	Mating
Standard	2.00	1215/1220
Alternate		

Pin(Per Row)	2-15P	16-25P	26-40P
M	0.10	0.15	0.18

TITLE	PART NO.
TYPE 1	2235-2XXMXXCUN1
TYPE 2	2235-2XXMXXCUN2

REV	DATE	MODIFICATION DESCRIPTION	CHANGE	OPERATION	DRAW	DATE	SCALE	FIT	PART NO.
A4	2020/09/04	Modify DIM.	-----	OPERATION	XSR	2020/09/04	UNIT	mm	SEE TABLE
A3	2019/01/16	Modify drawing&CAP	-----	X.X ±0.40	CHECK	DATE	SIZE	A4	TITLE:
A2	2013/01/28	TYPE 1 → TYPE 2, TYPE 2 → TYPE 1	-----	X.XX ±0.25	APPROVE	DATE	SHEET	1/1	2.0mm Female Header DUAL ROW
A0	2012/07/12	NEW	-----	X.XXX ±0.15	DATE	DATE	PROJ.	1/1	180°SMT H=3.56 W=4.0
				Angle ± 3°					Customer NO.
				DIM TOL					

# WCON

Http: www.wcon.com

WCON-Dongguan  
 Tel: +86 769 85358920  
 Fax: +86 769 85358915  
 E-mail: sales@wcon.com

WCON-Kunshan  
 Tel: +86 512 57468408  
 Fax: +86 512 57468468  
 E-mail: salesks@wcon.com