

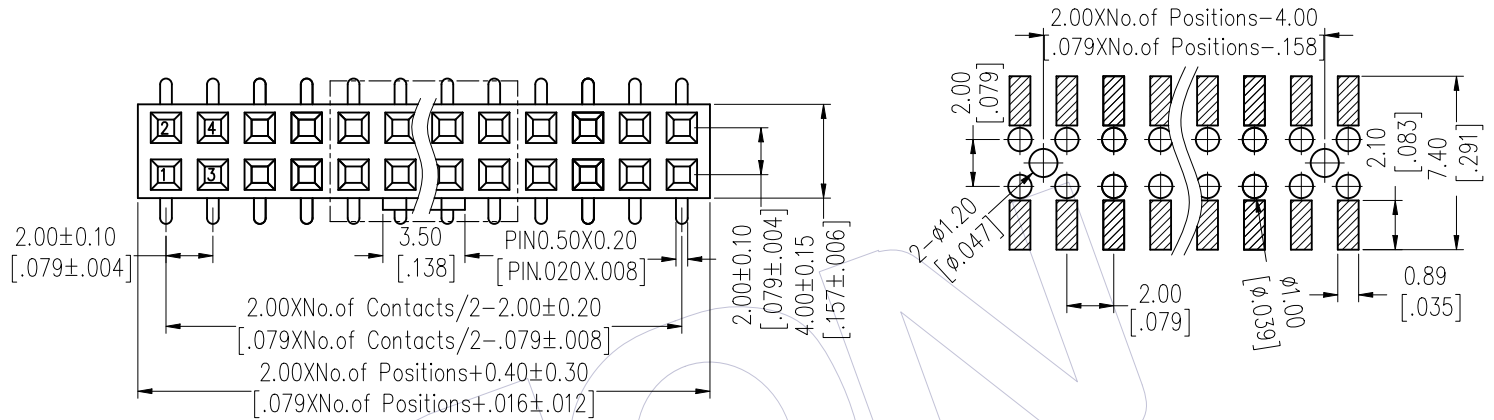
# HSF

**NOTES:**

Current Rating: 2.0AMP  
 Contact Resistance: 20mΩ Max  
 Withstand Voltage: 500V AC  
 Insulation Resistance: 1000MΩ Min  
 Operation Temperature: -40°C to +125°C(Au)  
 -40°C to +105°C(Sn)

Contact Material: Phosphor Bronze  
 Contact plating: Au Or Sn over Ni  
 Insulator Material: PA9T+33%GF UL94V-0

**Recommended P.C.B Layout(Top Side)**  
 (PCB BOARD TOLERANCE±0.05)



## Ordering Information

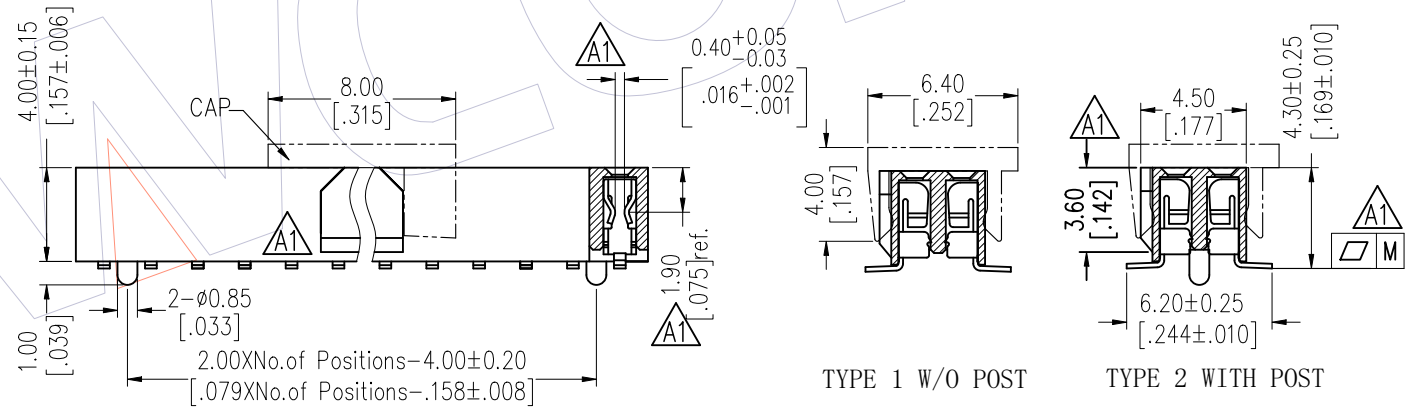
2240N - 2 XX M XX CUN X X

No. of Pins per ROW: 02-40PIN

Contact Plating:  
 G0=Gold Flash  
 G3=10μ"Gold  
 G4=15μ"Gold  
 G5=30μ"Gold  
 S0=Gold Flash/Tin  
 S3=10μ"Gold/Tin  
 S4=15μ"Gold/Tin  
 S5=30μ"Gold/Tin  
 SN=Tin  
 SM=Matte Tin

Packing:  
 T=Tube  
 P=Tube+CAP  
 R=Tape&Reel+CAP

Series No.  
 3=TYPE1  
 4=TYPE2



Item	Pitch	Mating
Standard	2.00	1215/1220
Alternate		

Pin(Per Row)	2-15P	16-25P	26-40P
M	0.10	0.15	0.18

TITLE	PART NO.
TYPE 1	2240N-2XXMXXCUNX3
TYPE 2	2240N-2XXMXXCUNX4

REV	DATE	MODIFICATION DESCRIPTION	CHANGE	OPERATION	DRAW	DATE	SCALE	FIT	PART NO.
A1	2019/11/11	Modify Drawing	-----	x.x ±0.40	XSR	2019/11/11	UNIT mm		SEE TABLE
A0	2012/07/13	NEW	-----	x.xx ±0.25	CHECK	DATE	SIZE A4		TITLE: 2.0mm Female Header DUAL ROW 180°SMT H=4.0 W=4.0 WITH BUMP
				x.xxx ±0.15	APPROVE	DATE	SHEET 1/1		Customer NO.
				Angle ± 3°			PROJ.		
				DIM TOL					

**WCON**  
 Http: www.wcon.com  
 WCON-Dongguan Tel: +86 769 85358920  
 WCON-Kunshan Tel: +86 512 57468408  
 Fax: +86 769 85358915 Fax: +86 512 57468468  
 E-mail: sales@wcon.com E-mail: salesks@wcon.com