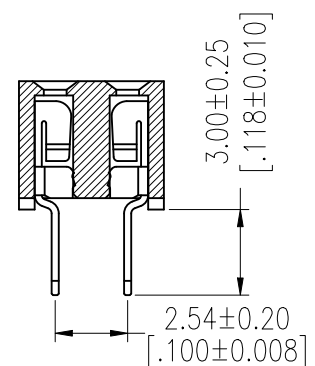
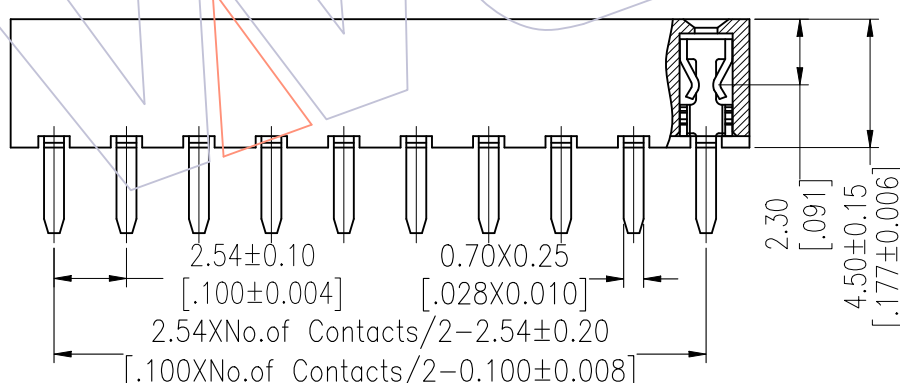
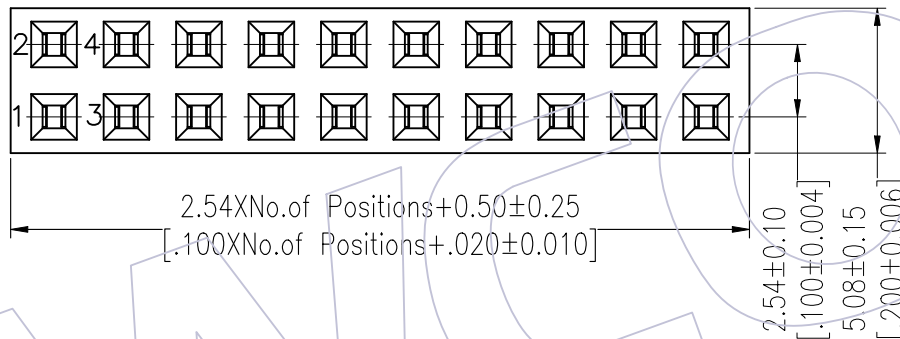
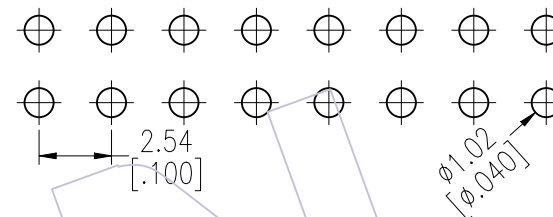


HSF

NOTES:
 Current Rating: 3.0AMP
 Contact Resistance: 20mΩ Max
 Withstand Voltage: 1000V AC/DC
 Insulation Resistance: 1000MΩ Min
 Operation Temperature: -40°C to +105°C

Contact Material: Phosphor Bronze
 Contact plating: Au Or Sn over Ni
 Insulator Material: PA9T+30%G.F UL94V-0

Recommended P.C.B Layout (Top Side)
 (PCB BOARD TOLERANCE ±0.05)



Ordering Information

2145 - 2 XX S XX XUNT 1

No. of Pins per ROW: 01-40PIN
 Contact Plating: G0=Gold Flash, G3=10μ"Gold, G4=15μ"Gold, G5=30μ"Gold, S0=Gold Flash/Tin, S3=10μ"Gold/Tin, S4=15μ"Gold/Tin, S5=30μ"Gold/Tin, SN=Tin, SM=Matte Tin
 Insulator: A=PBT, C=PA9T
 Packing: T=Tube

Item	Pitch	Mating
Standard	2.54	1115/1120/1125
Alternate		

REV	DATE	MODIFICATION DESCRIPTION	CHANGE	OPERATION	DRAW	DATE	SCALE	FIT	PART NO.
A0	2012/08/03	NEW	-----	X.X ±0.40	JYHuang	2012/08/03	UNIT mm		2145-2XXSXXXUNT1
				X.XX ±0.25	CHECK	DATE	SIZE A4		TITLE: FH2. 54mm DUAL ROW 180° DIP H=4.50
				X.XXX ±0.15	APPROVE	DATE	SHEET 1/1		Customer NO.
				Angle ± 3°			PROJ.		
				DIM TOL					

WCON

Http: www.wcon.com

WCON-Dongguan Tel: +86 769 85358920 Fax: +86 769 85358915 E-mail: sales@wcon.com
 WCON-Kunshan Tel: +86 512 57468408 Fax: +86 512 57468468 E-mail: salesks@wcon.com