

HSF

NOTES:
 Current Rating: 3.0AMP
 Contact Resistance: 20mΩ Max
 Withstand Voltage: 1000V AC
 Insulation Resistance: 1000MΩ Min
 Operation Temperature: -40°C to +105°C

Contact Material: Phosphor Bronze
 Contact plating: Au Or Sn over Ni
 Insulator Material: PA9T+33%G.F UL94V-0

Ordering Information

2150 - 2 XX M XX CUN X X

No. of Pins per ROW: 02-40/PIN

Contact Plating:

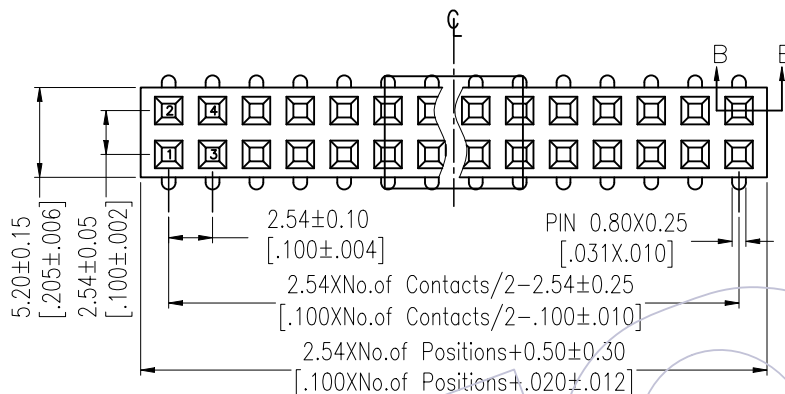
G0=Gold Flash
 G3=10μ"Gold
 G4=15μ"Gold
 G5=30μ"Gold
 S0=Gold Flash/Tin
 S3=10μ"Gold/Tin
 S4=15μ"Gold/Tin
 S5=30μ"Gold/Tin
 SN=Tin
 SM=Matte Tin

Packing:

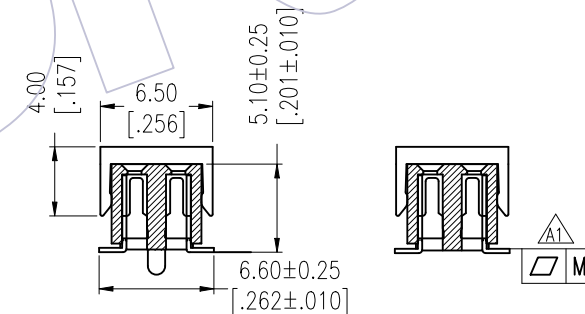
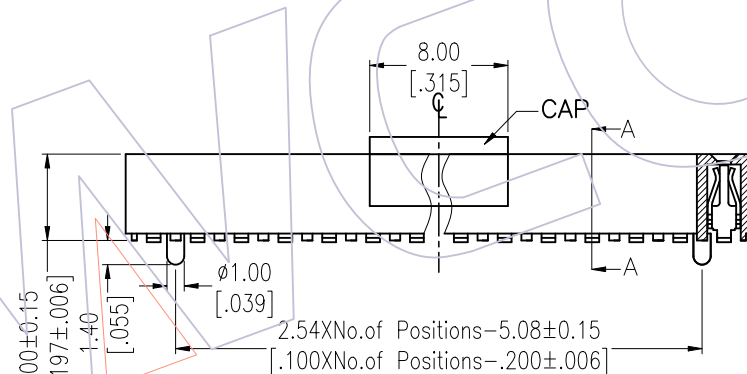
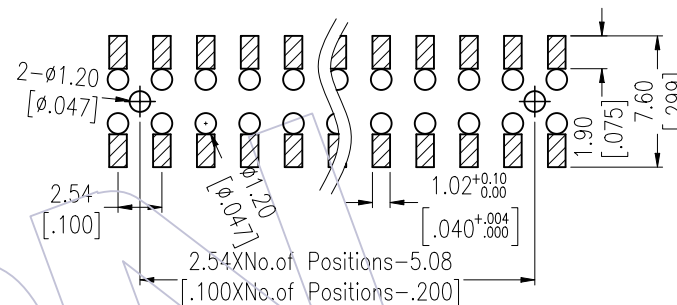
T=Tube
 P=Tube+CAP
 R=Tape&Reel+CAP

Series No.

i=TYPE 1
 2=TYPE 2



Recommended P.C.B Layout (Top Side)
 (PCB BOARD TOLERANCE ±0.05)



SECTION: B-B

SECTION: A-A

Item	Pitch	Mating
Standard	2.54	1115/1120/1125
Alternate		

Pin(Per Row)	2-15P	16-25P	26-40P
M	0.10	0.15	0.18

TITLE	PART NO.
TYPE 1	2150-2XXMXXCUNX1
TYPE 2	2150-2XXMXXCUNX2

OPERATION	DRAW	DATE	SCALE	FIT	PART NO.
X.X ±0.40	XSR	2023/02/13	UNIT	mm	SEE TABLE
X.XX ±0.25	CHECK	DATE	SIZE	A4	TITLE: 2.54mm Female Header DUAL ROW 180°SMT H=5.0
X.XXX ±0.15	APPROVE	DATE	SHEET	1/1	Customer NO.
Angle ± 3'			PROJ.		
DIM TOL					

WCON
 Http: www.wcon.com
 WCON-Dongguan Tel: +86 769 85358920
 WCON-Kunshan Tel: +86 512 57468408
 Fax: +86 769 85358915
 Fax: +86 512 57468468
 E-mail: sales@wcon.com
 E-mail: salesks@wcon.com