

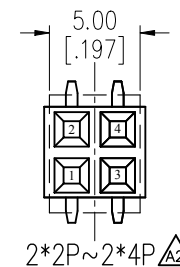
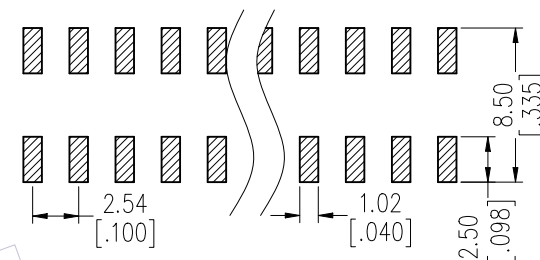
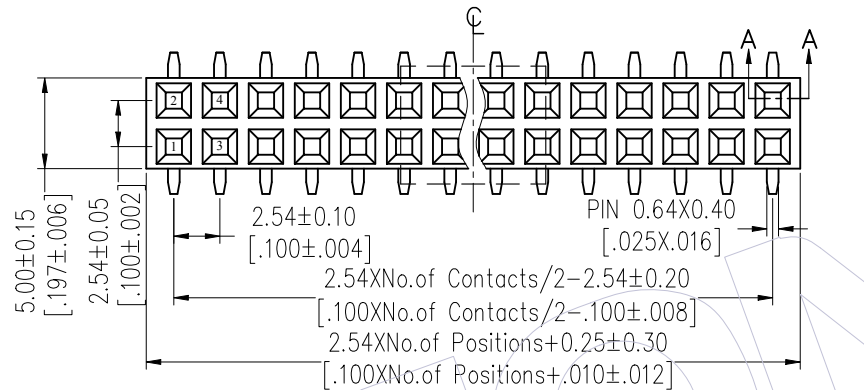
# HSF

**NOTES:**

Current Rating: 3.0AMP  
 Contact Resistance: 20mΩ Max  
 Withstand Voltage: 1000V AC  
 Insulation Resistance: 1000MΩ Min  
 Operation Temperature: -40°C to +105°C

Contact Material: Phosphor Bronze Or Brass  
 Contact plating: Au Or Sn over Ni  
 Insulator Material: PA9T+33%G.F UL94V-0

Recommended P.C.B Layout(Top Side)  
 (PCB BOARD TOLERANCE ±0.05)



## Ordering Information

2185 - 2 XX M XX CYN X 1

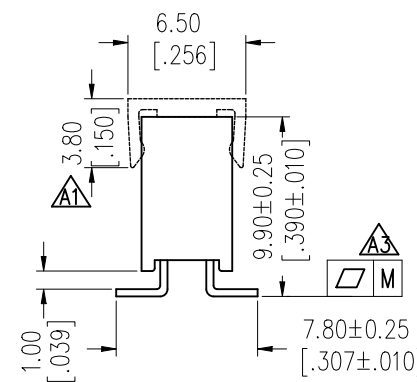
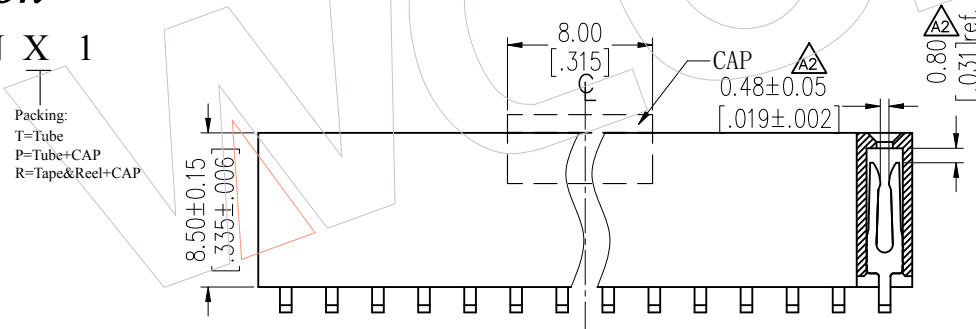
No. of Pins per ROW: 02-40PIN

Contact Plating:

- G0=Gold Flash
- G3=10μ"Gold
- G4=15μ"Gold
- G5=30μ"Gold
- S0=Gold Flash/Tin
- S3=10μ"Gold/Tin
- S4=15μ"Gold/Tin
- S5=30μ"Gold/Tin
- SN=Tin
- SM=Matte Tin

Packing:

- T=Tube
- P=Tube+CAP
- R=Tape&Reel+CAP



Item	Pitch	Mating
Standard	2.54	1115/1120/1125
Alternate		

Pin(Per Row)	2-15P	16-25P	26-40P
M	0.10	0.15	0.18

REV	DATE	MODIFICATION DESCRIPTION	CHANGE	OPERATION	DRAW	DATE	SCALE	FIT	PART NO.
A3	23/02/13	Modify Flatness	-----	OPERATION	Surong Xu	23/02/13	UNIT	mm	2185-2XXMXXCYN1
A2	17/08/22	ADD CAP(2*2P~2*4P)&ADD DIM.	-----	x.X ±0.40	CHECK	DATE	SIZE	A4	TITLE:
A1	13/06/17	Modify CAP 4.30 → 3.80	-----	x.XX ±0.25	APPROVE	DATE	SHEET	1/1	2.54mm Female Header DUAL ROW
A0	12/08/15	NEW	-----	x.XXX ±0.15	DATE	DATE	PROJ.	Customer NO.	180*SMT H=8.5
				Angle ± 3'					
				DIM TOL					

# WCON

Http: [www.wcon.com](http://www.wcon.com)

WCON-Dongguan      WCON-Kunshan  
 Tel: +86 769 85358920      Tel: +86 512 57468408  
 Fax: +86 769 85358915      Fax: +86 512 57468468  
 E-mail: [sales@wcon.com](mailto:sales@wcon.com)      E-mail: [salesks@wcon.com](mailto:salesks@wcon.com)