

HSF

Recommended P.C.B Layout(Top Side)
(PCB BOARD TOLERANCE±0.05)

NOTES:
Current Rating: 3.0AMP
Contact Resistance: 20mΩ Max
Withstand Voltage: 1000V AC
Insulation Resistance: 1000MΩ Min
Operation Temperature: -40°C to +105°C

Contact Material: Phosphor Bronze or Brass
Contact plating: Au Or Sn over Ni
Insulator Material: PA9T+33%G.F UL94V-0

Ordering Information

2185 - 2 XX M XX CYN X 3

△ No. of Pins per ROW: 02-27PIN

Contact Plating:

G0=Gold Flash

G3=10μ"Gold

G4=15μ"Gold

G5=30μ"Gold

S0=Gold Flash/Tin

S3=10μ"Gold/Tin

S4=15μ"Gold/Tin

S5=30μ"Gold/Tin

SN=Tin

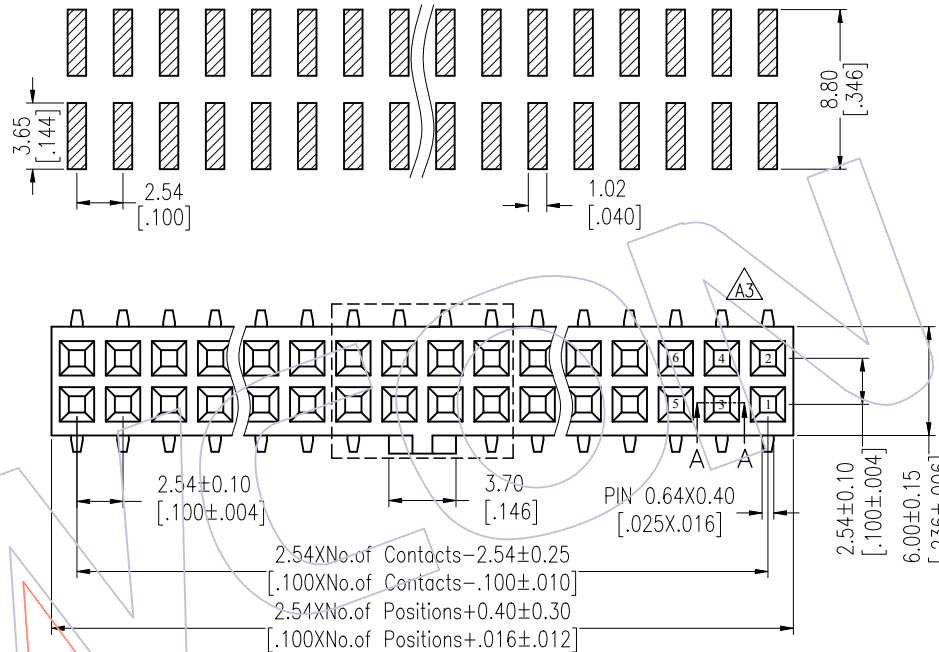
SM=Matte Tin

Packing:

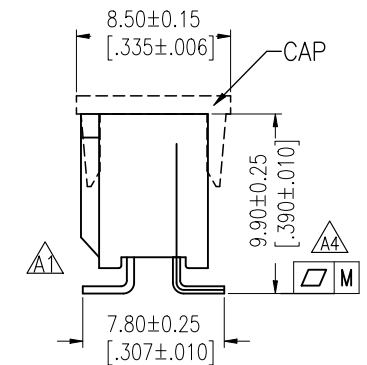
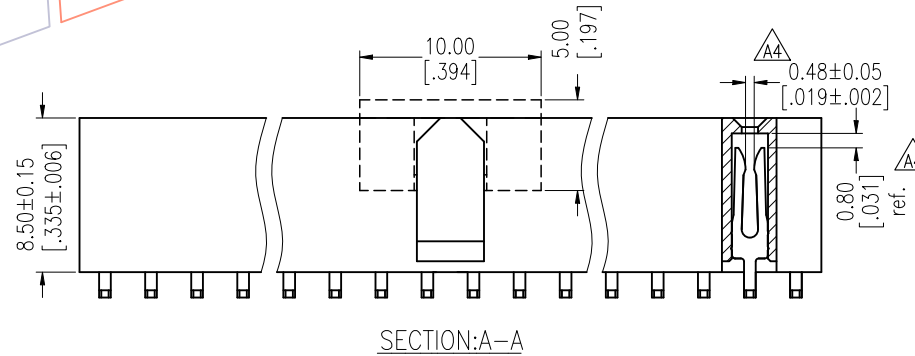
T=Tube

P=Tube+CAP

R=Tape&Reel+CAP



Pin(Per Row)	2-15P	16-25P	26-27P
M	0.10	0.15	0.18



Item	Pitch	Mating
Standard	2.54	1115/1120/1125
Alternate		

REV	DATE	MODIFICATION DESCRIPTION	CHANGE	OPERATION	DRAW	DATE	SCALE	FIT	PART NO.
A4	2023/02/13	Modify Flatness	△A4	OPERATION	DRAW	DATE	SCALE	FIT	PART NO.
A3	2017/07/12	Modify	△A3	X.X ±0.40	Surong Xu	2023/02/13	UNIT	mm	2185-2XXMXXCYNX3
A2	2015/08/27	Modify	△A2	X.XX ±0.25	CHECK	DATE	SIZE	A4	TITLE:
A0	2012/08/15	NEW	-----	X.XXX ±0.15	APPROVE	DATE	SHEET	1/1	2.54mm Female Header DUAL ROW
				Angle ± 3°			PROJ.	1/1	180°SMT WITH FULL BUMP H=8.50
				DIM TOL					Customer NO.

WCON

Http: www.wcon.com

WCON-Dongguan Tel: +86 769 85358920 Fax: +86 769 85358915 E-mail: sales@wcon.com

WCON-Kunshan Tel: +86 512 57468408 Fax: +86 512 57468468 E-mail: salesks@wcon.com