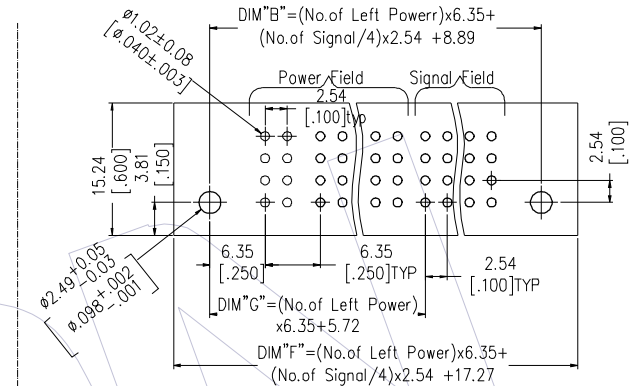
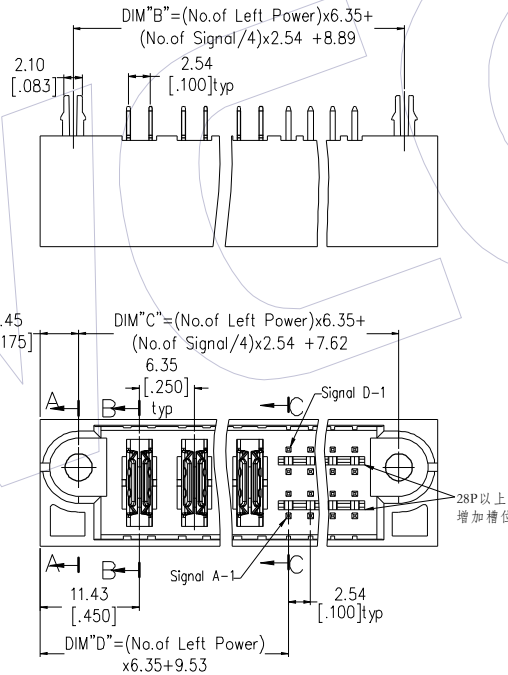
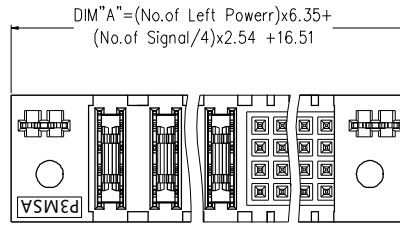
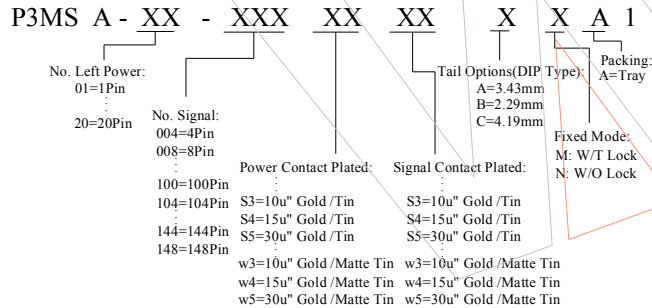


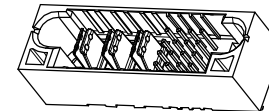
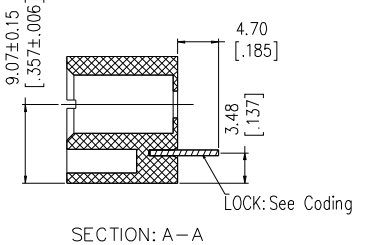
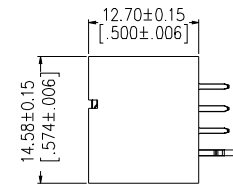
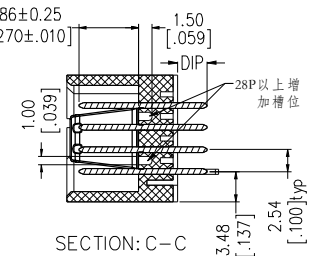
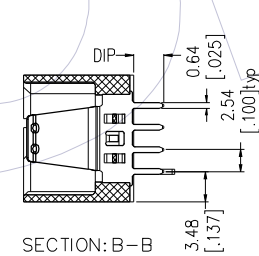
# HSF

**NOTES:**

1. Insulator material: PA9T+33%G.F, UL94 V-0;
2. Terminal material: Copper Alloy;  
Terminal Plating: Au/Sn Plated Over Nickel ;
3. Rated Voltage: Signal 50V; Power 600V  $\Delta$
4. Rated Current: Signal 2.5A; Power 30A;
5. Contact Resistance:  
Power 0.7m $\Omega$  Max; Signal 20m $\Omega$  Max;
6. Insulation Resistance: DC500V  
Power 10000M $\Omega$  Min; Signal 500M $\Omega$  Min;
7. Insulation Withstand Voltage:  
Power 2500VAC/1min; Signal 1000VAC/1min ;
8. Durability :200 cycling;
9. Operation Temperature: -20°C to +105°C;




Recommended P.C.B Layout(Top Side)  
(PCB BOARD TOLERANCE  $\pm 0.05$ )



REV	DATE	MODIFICATION DESCRIPTION	CHANGE	OPERATION		DRAW PAN	DATE	SCALE	FIT	PART NO.	TITLE:	WCON	
				Angle	DIM TOL							Http: www.wcon.com	
A1	2022/03/25	Modify Notes	—	x.x	$\pm 0.40$	CHECK	2022/03/25	UNIT	mm	P3MSA-XX-XXXXXXXXXA1	PSP Spacing A 180° DIP MALE (TYPE-3: Left Power+2.54Signal)	WCON-Dongguan	WCON-Kunshan
A0	2018/10/10	NEW	—	x.xx	$\pm 0.25$	APPROVE	DATE	SIZE	A4			Tel: +86 769 85358920	Tel: +86 512 57468408
				x.xxx	$\pm 0.15$			SHEET	1/2	Fax: +86 769 85358915	Fax: +86 512 57468468		
								PROJ.	$\phi$ $\perp$	E-mail: sales@wcon.com	E-mail: salesks@wcon.com		

No.	P/N	No. Left Power	No. Signal	DIM "A"	DIM "B"	DIM "C"	DIM "D"	DIM "F"	DIM "G"
1	P3MSA-18-044XXXXXXA1	18	44	158.75	151.13	149.86	123.83	159.51	120.02
2	P3MSA-14-024XXXXXXA1	14	24	120.65	113.03	111.76	98.43	121.41	94.62
3	P3MSA-12-020XXXXXXA1	12	20	105.41	97.79	96.52	85.73	106.17	81.92
4	P3MSA-11-024XXXXXXA1	11	24	101.60	93.98	92.71	79.38	102.36	75.57
5	P3MSA-10-024XXXXXXA1	10	24	95.25	87.63	86.36	73.03	96.01	69.22
6	P3MSA-10-012XXXXXXA1	10	12	87.63	80.01	78.74	73.03	88.39	69.22
7	P3MSA-08-044XXXXXXA1	8	44	95.25	87.63	86.36	60.33	96.01	56.52
8	P3MSA-08-024XXXXXXA1	8	24	82.55	74.93	73.66	60.33	83.31	56.52
9	P3MSA-08-016XXXXXXA1	8	16	77.47	69.85	68.58	60.33	78.23	56.52
10	P3MSA-08-008XXXXXXA1	8	8	72.39	64.77	63.50	60.33	73.15	56.52
11	P3MSA-07-040XXXXXXA1	7	40	86.36	78.74	77.47	53.98	87.12	50.17
12	P3MSA-06-036XXXXXXA1	6	36	77.47	69.85	68.58	47.63	78.23	43.82
13	P3MSA-06-024XXXXXXA1	6	24	69.85	62.23	60.96	47.63	70.61	43.82
14	P3MSA-06-020XXXXXXA1	6	20	67.31	59.69	58.42	47.63	68.07	43.82
15	P3MSA-04-032XXXXXXA1	4	32	62.23	54.61	53.34	34.93	62.99	31.12
16	P3MSA-04-024XXXXXXA1	4	24	57.15	49.53	48.26	34.93	57.91	31.12
17	P3MSA-04-020XXXXXXA1	4	20	54.61	46.99	45.72	34.93	55.37	31.12
18	P3MSA-04-016XXXXXXA1	4	16	52.07	44.45	43.18	34.93	52.83	31.12
19	P3MSA-03-016XXXXXXA1	3	16	45.72	38.10	36.83	28.58	46.48	24.77
20	P3MSA-03-004XXXXXXA1	3	4	38.10	30.48	29.21	28.58	38.86	24.77
21	P3MSA-02-016XXXXXXA1	2	16	39.37	31.75	30.48	22.23	40.13	18.42
22	P3MSA-02-012XXXXXXA1	2	12	36.83	29.21	27.94	22.23	37.59	18.42
23	P3MSA-02-008XXXXXXA1	2	8	34.29	26.67	25.40	22.23	35.05	18.42
24	P3MSA-02-004XXXXXXA1	2	4	31.75	24.13	22.86	22.23	32.51	18.42
25	P3MSA-01-036XXXXXXA1	1	36	45.72	38.10	36.83	15.88	46.48	12.07

				OPERATION	DRAW	DATE	SCALE	FIT	PART NO.	 Http: <a href="http://www.wcon.com">www.wcon.com</a> WCON-Dongguan      WCON-Kunshan Tel: +86 769 85358920      Tel: +86 512 57468408 Fax: +86 769 85358915      Fax: +86 512 57468468 E-mail: sales@wcon.com      E-mail: salesks@wcon.com
				x.x      ±0.40	PAN	2022/03/25	UNIT	mm	P3MSA-XX-XXXXXXXA1	
A1	2022/03/25	Modify Notes	—	x.xx      ±0.25	CHECK	DATE	SIZE	A4	TITLE:	
A0	2018/10/10	NEW	—	x.xxx      ±0.15	APPROVE	DATE	SHEET	2/2	PSP Spacing A 180° DIP MALE (TYPE-3:Left Power+2.54Signal)	
REV	DATE	MODIFICATION DESCRIPTION	CHANGE	Angle      ± 3° DIM      TOL			PROJ.	⊕	Customer NO.	