

HSF

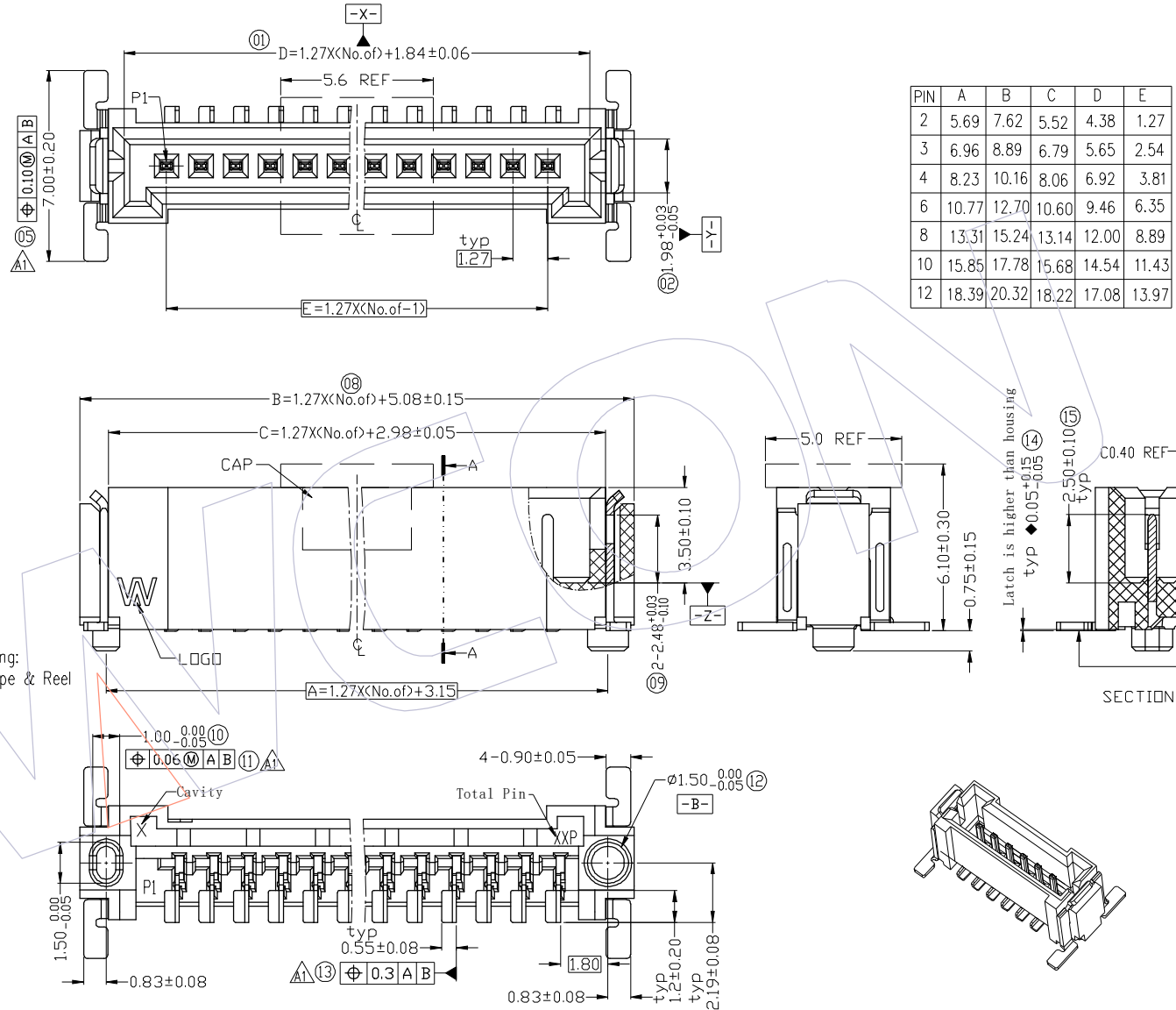
NOTES:

1. Material:
Housing: LCP, G.F, UL94V-0, BK
Terminal/strip: Copper Alloy
2. Contact Plating:
xxu" Gold on contact area (See Ordering Information) 100u" Matte tin on solder area, 50u" Nickel underplating overall.
3. Ground strip: 100u" Matte tin over 50u" Nickel.
4. Rated Current: 4.8A Max
5. Contact Resistance: 25mΩ max
6. Withstand Voltage: 500V AC/DC
7. Insulation Resistance: 10000MΩ min
8. Operation Temperature: -55°C to +150°C
9. Soldering: Solder temperature: 260°C
Solder time: 5±1S

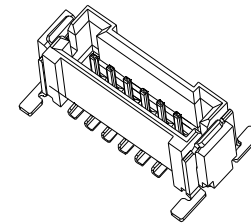
Ordering Information

3916 - P XXX 052 M XX W B R 1

- Male
- No. of Pins: 002=2Pin
- 012=12Pin
- Housing Height: 052=5.25mm
- SMT
- Contact Plated:
 - S0=Gold Flash/Tin
 - S1=3u" Gold/Tin
 - S2=5u" Gold/Tin
 - S3=10u" Gold/Tin
 - S4=15u" Gold/Tin
 - S5=30u" Gold/Tin
- Packing: R=Tape & Reel
- Black
- W/O POST



PIN	A	B	C	D	E
2	5.69	7.62	5.52	4.38	1.27
3	6.96	8.89	6.79	5.65	2.54
4	8.23	10.16	8.06	6.92	3.81
6	10.77	12.70	10.60	9.46	6.35
8	13.31	15.24	13.14	12.00	8.89
10	15.85	17.78	15.68	14.54	11.43
12	18.39	20.32	18.22	17.08	13.97



REV	DATE	MODIFICATION DESCRIPTION	CHANGE	OPERATION	DRAW	DATE	SCALE	FIT	PART NO.
A1	2020/09/24	1. Use geometric tolerance to mark interface dimension;	Xiaobin Gao	x.x ±0.40	Xiaobin Gao	2020/09/24	UNIT mm		3916-PXXX-052MXXWBR1
A0	2019/10/07	NEW	HOUFU Peng	x.xx ±0.25	CHECK	DATE	SIZE A4		TITLE: 1.27mm MSC conn. Male SMT Type H=5.25mm
				x.xxx ±0.15			SHEET 1/3		Customer NO.
				Angle ± 3°	APPROVE	DATE	PROJ.		
				DIM TOL					

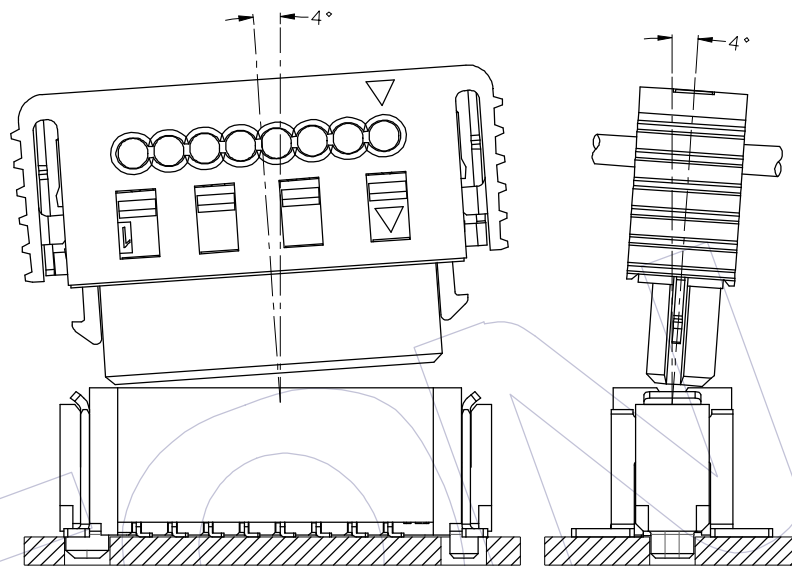
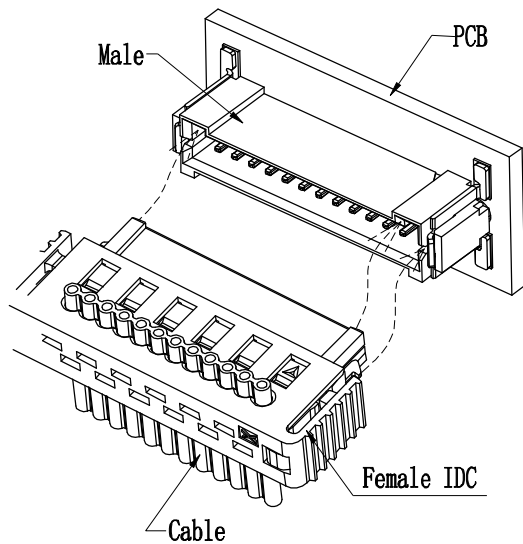
WCON

Http: www.wcon.com

WCON-Dongguan
Tel: +86 769 85358920
Fax: +86 769 85358915
E-mail: sales@wcon.com

WCON-Kunshan
Tel: +86 512 57468408
Fax: +86 512 57468468
E-mail: sales@wcon.com

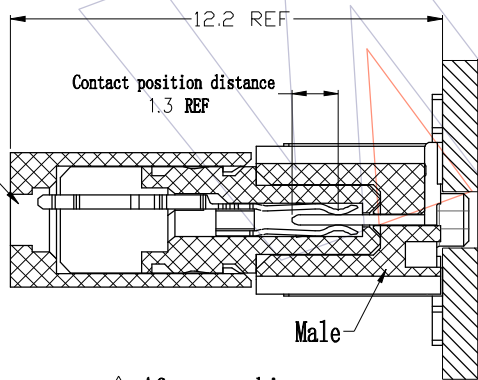
HSF



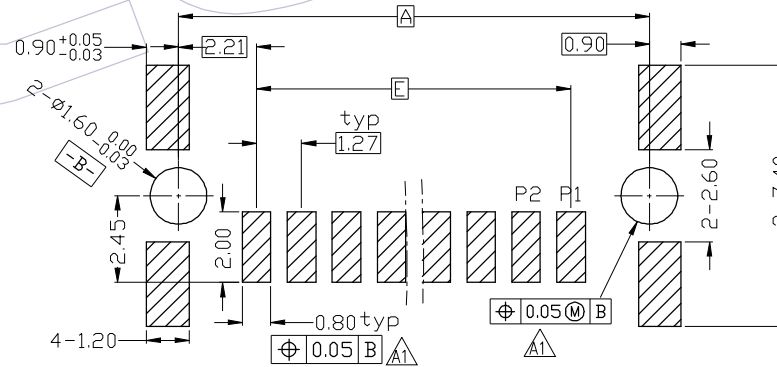
△ Matching-1

△ Matching-2

Female IDC



△ After matching



Recommended P.C.B Layout(Top Side)
(PCB BOARD TOLERANCE±0.05)

REV	DATE	MODIFICATION DESCRIPTION	CHANGE	OPERATION	DRAW	DATE	SCALE	FIT	PART NO.
A1	2020/09/24	1.Use geometric tolerance to mark interface dimension;	Xiaobin Gao	x.x ±0.40	Xiaobin Gao	2020/09/24	UNIT	mm	3916-PXXX-052MXXWBR1
AO	2019/10/07	NEW	HOUFU Peng	x.xx ±0.25	CHECK	DATE	SIZE	A4	TITLE: 1.27mm MSC conn. Male SMT Type H=5.25mm
				x.xxx ±0.15	APPROVE	DATE	SHEET	1/3	Customer NO.
				Angle ± 3°			PROJ.		
				DIM TOL					

WCON

Http: www.wcon.com

WCON-Dongguan Tel: +86 769 85358920 Fax: +86 769 85358915 E-mail: sales@wcon.com	WCON-Kunshan Tel: +86 512 57468408 Fax: +86 512 57468468 E-mail: salesks@wcon.com
---	--