

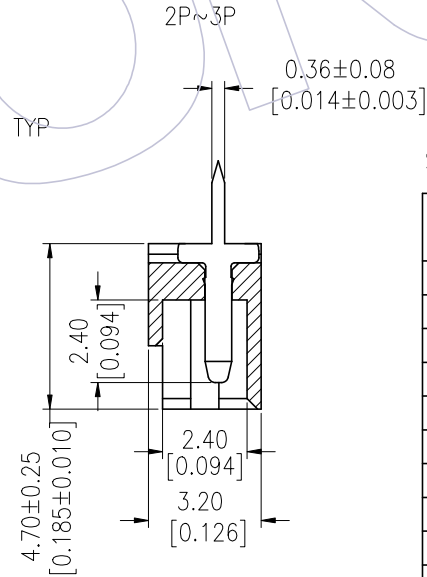
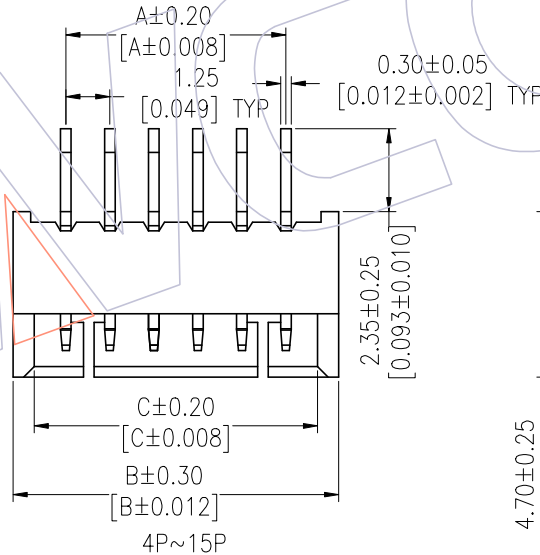
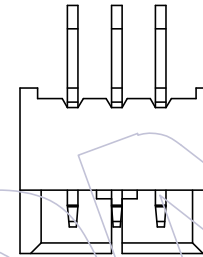
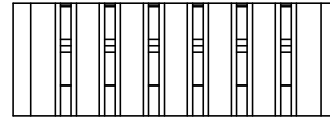
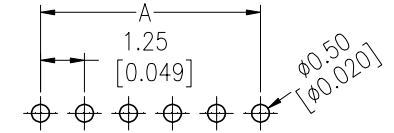
# HSF

Recommended P.C.B Layout(Top Side)  
(PCB BOARD TOLERANCE±0.05)

**NOTES:**

Rated Voltage:100V AC/DC  
 Rated Current:1.0AMP  
 Contact Resistance:20mΩ max  
 Withstand Voltage:500V AC/DC  
 Insulation Resistance:100MΩ min  
 Operation Temperature:-25°C to +85°C

Contact Material:Brass  
 Contact plating:Au Or Sn Over Ni  
 Insulator Material:PA6T+30%G.F UL94V-0



**Specification & Ordering Information:**

Circuit	Part No.	Dimension			Q'ty /Tray
		A	B	C	
02	WF1251-WS02XX1	1.25	4.25	3.05	1,000
03	WF1251-WS03XX1	2.50	5.50	4.30	1,000
04	WF1251-WS04XX1	3.75	6.75	5.55	1,000
05	WF1251-WS05XX1	5.00	8.00	6.80	500
06	WF1251-WS06XX1	6.25	9.25	8.05	500
07	WF1251-WS07XX1	7.50	10.50	9.30	400
08	WF1251-WS08XX1	8.75	11.75	10.55	400
09	WF1251-WS09XX1	10.00	13.00	11.80	400
10	WF1251-WS10XX1	11.25	14.25	13.05	300
11	WF1251-WS11XX1	12.50	15.50	14.30	300
12	WF1251-WS12XX1	13.75	16.75	15.55	300
13	WF1251-WS13XX1	15.00	18.00	16.80	200
14	WF1251-WS14XX1	16.25	19.25	18.05	200
15	WF1251-WS15XX1	17.50	20.50	19.30	200

**Ordering Information**

WF1251 - WS **XX** **X** **X** 1

No. of pins: 02~15P  
 Contact Plating: S0=Gold Flash/Tin, S3=10u"Gold/Tin, S4=15u"Gold/Tin, S5=30u"Gold/Tin, G0=Gold Flash, G3=10u"Gold, G4=15u"Gold, G5=30u"Gold, Blank=Tin  
 Packing: A=Tray, T=Tube, R=Reel  
 Color: W=Natural



REV	DATE	MODIFICATION DESCRIPTION	CHANGE	OPERATION	DRAW	DATE	SCALE	FIT	PART NO.	TITLE:	Customer NO.
A2	2014/07/11	Modify The Color:W=Natural	---	X.X ±0.40	JYHuang	2014/07/11	UNIT	mm	SEE TAB	 Http: www.wcon.com WCON-Dongguan Tel: +86 769 85358920 WCON-Kunshan Tel: +86 512 57468408 Fax: +86 769 85358915 E-mail: sales@wcon.com	
A1	2014/03/13	Modify The Material:PA9T--PA6T	---	X.XX ±0.25	CHECK	DATE	SIZE	A4	"M" TYPE 1.25 Wafer 180° DIP		
AO	2012/08/24	NEW	---	X.XXX ±0.15	APPROVE	DATE	SHEET	1/1			
				Angle ± 3'			PROJ.				