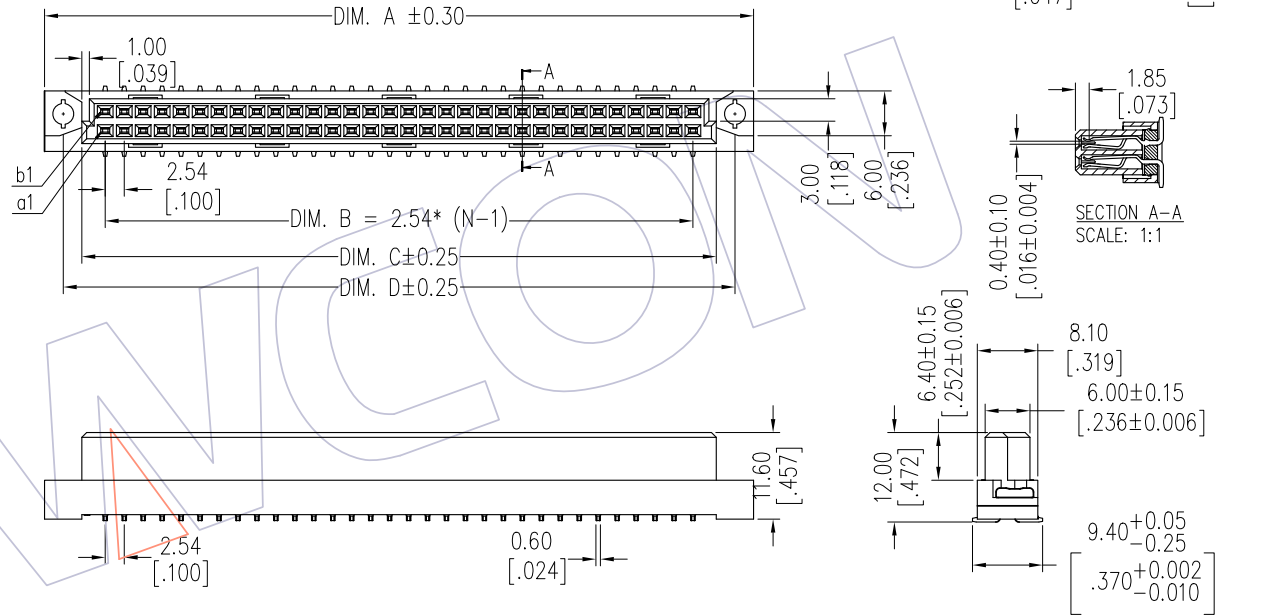


HSF

Recommended P.C.B Layout (Top Side)
(PCB BOARD TOLERANCE ±0.05)

NOTES:
Current Rating: 3.0AMP
Contact Resistance: 30mΩ max
Withstand Voltage: 1000V AC/DC
Insulation Resistance: 1000MΩ
Operation Temperature: -55℃~+105℃

Contact Material: Phosphor Bronze
Contact Plating: Au and Sn over Ni
Fixing Material: Phosphor Bronze
Fixing Plating: Sn over Ni
Housing Material: PA9T+33% G.F(UL94V-0)
Cover Material: PA9T+33% G.F(UL94V-0)



Ordering Information

3410-2 **XX** **X** **FM** **SX** **N** **A** **X**

No. of Pins Per Row: 10pin, 16pin, 32pin
Rows with Contacts: B=a+b, D=a
Contact Plating: S0=Gold Flash/Tin, S1=3u"Gold/Tin, S3=10u"Gold/Tin, S4=15u"Gold/Tin, S5=30u"Gold/Tin, SN=Tin
Packing: A=Tray, N=Without Lock

32	0.15MAX
16	0.12MAX
10	0.10MAX
PIN	□

B	64	2	32	95.00	78.74	85.00	90.00
B/2	32	2	16	55.00	38.10	44.40	50.00
B/3	20	2	10	39.76	22.86	29.10	34.76
TYPE	POS.	ROWS	N	DIM.A	DIM.B	DIM.C	DIM.D

				OPERATION	DRAW	DATE	SCALE	FIT	PART NO.
				X.X	XSR	2019/11/02	UNIT	A4	3410-2XXXFMSXNAX
A1	2019/11/02	Material: PBT TO PA9T		X.XX	CHECK	DATE	SIZE	1/1	TITLE:
A0	2016/09/22	NEW		X.XXX	APPROVE	DATE	SHEET		2.54PITCH DIN 41612
REV	DATE	MODIFICATION DESCRIPTION	CHANGE	Angle			PROJ.		B, B/2, B/3 TYPE FEMALE SMT
				DIM					Customer NO.

WCON

Http: www.wcon.com

WCON-Dongguan
Tel: +86 769 85358920
Fax: +86 769 85358915
E-mail: sales@wcon.com

WCON-Kunshan
Tel: +86 512 57468408
Fax: +86 512 57468468
E-mail: salesks@wcon.com