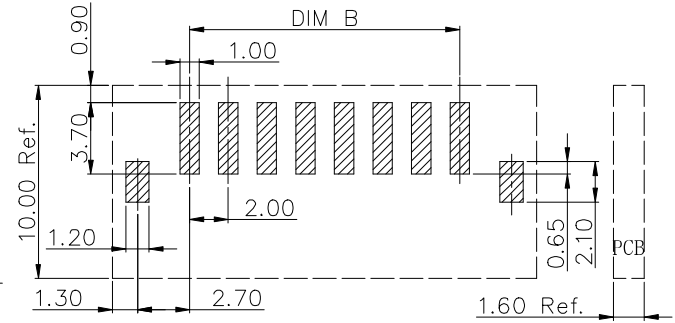
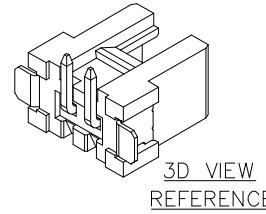
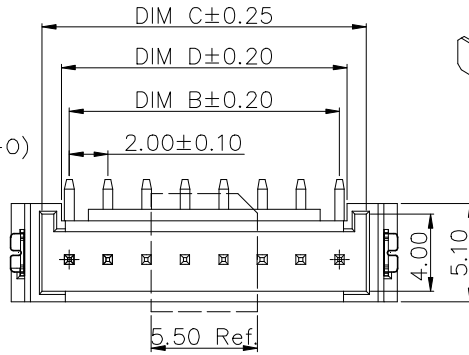


NOTES:

Rated Current: 2.0 AMP
 Rated Voltage: 125V AC/DC
 Contact Resistance: 20mΩ Max
 Withstand Voltage: 500V AC/Minute
 Insulation Resistance: 500MΩ Min
 Operation Temperature: -40°C to +105°C

Housing Material: PA6T+30%GF Natural(UL94V-0)
 CAP Material: PA6T+30%GF Natural(UL94V-0)
 Contact Material: Brass
 Contact Plating: Sn over Ni
 Solder Tab Material: Brass
 Solder Tab Plating: Sn over Ni

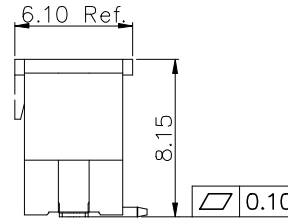
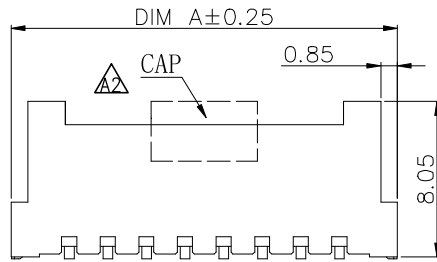


RECOMMENDED PADS LAYOUT
 <TOP VIEW>
 TOLERANCE FOR PCB LAYOUT IS ± 0.05

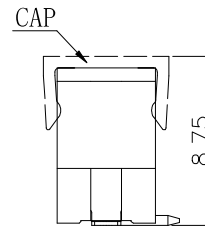
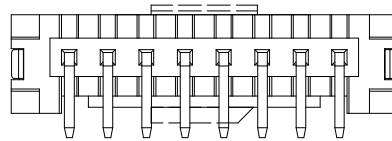
Ordering Information

WF2005 - WM XX E X 1

Terminal shape: WM=180°SMT
 NO.of Pins: 2P~16P
 Color: E=Natural
 Packing: T=Tube, P=Tube+CAP, R=Tape+Reel+CAP



CAP For 4-16P



CAP For 2-3P

Circuits	Dimensions			
	DIM A	DIM B	DIM C	DIM D
2	8.00	2.00	4.80	3.20
3	10.00	4.00	6.80	4.80
4	12.00	6.00	8.80	6.80
5	14.00	8.00	10.80	8.80
6	16.00	10.00	12.80	10.80
7	18.00	12.00	14.80	12.80
8	20.00	14.00	16.80	14.80
9	22.00	16.00	18.80	16.80
10	24.00	18.00	20.80	18.80
11	26.00	20.00	22.80	20.80
12	28.00	22.00	24.80	22.80
13	30.00	24.00	26.80	24.80
14	32.00	26.00	28.80	26.80
15	34.00	28.00	30.80	28.80
16	36.00	30.00	32.80	30.80

REV	DATE	MODIFICATION DESCRIPTION	CHANGE	OPERATION	DRAW	DATE	SCALE	FIT	PART NO.
A2	2019/04/20	Add the CAP	-----	X.X ±0.40	Ding	2019/04/20	UNIT	mm	WF2005-WMXXEX1
A1	2009/09/03	ADD DIMENSION D&E	-----	X.XX ±0.25	CHECK	DATE	SIZE	A4	TITLE:
A0	2009/09/03	NEW	-----	X.XXX ±0.15	APPROVE	DATE	SHEET	1/1	2.00 WAFER 180° SMT
				Angle ± 3'			PROJ.		Customer NO.
				DIM TOL					



Http: www.wcon.com

WCON-Dongguan Tel: +86 769 85358920 Fax: +86 769 85358915 E-mail: sales@wcon.com
 WCON-Kunshan Tel: +86 512 57468408 Fax: +86 512 57468468 E-mail: salesks@wcon.com