

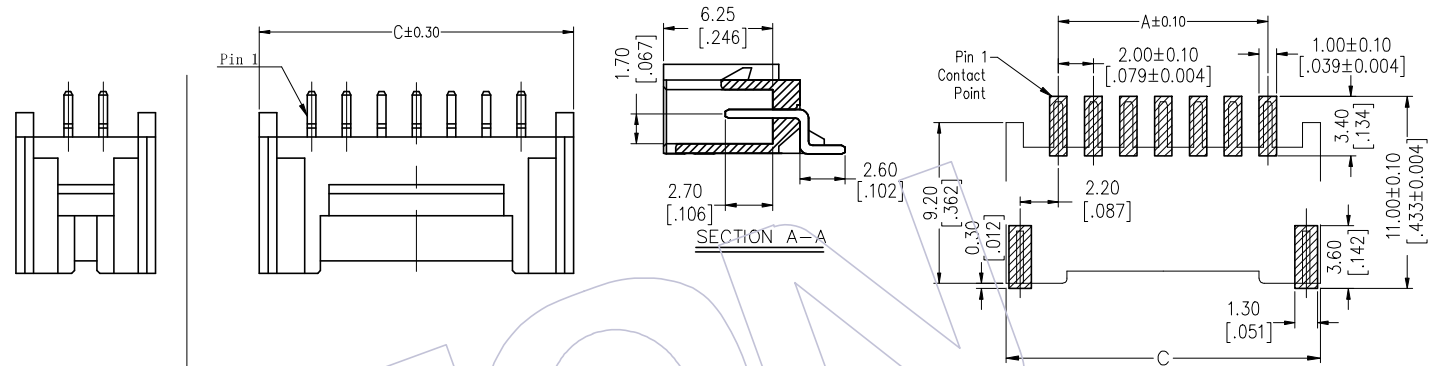
HSF

NOTES:

Rated Current:2A
 Rated Voltage:125V AC/DC
 Contact Resistance:20mΩ max
 Withstand Voltage:250V AC/Minute
 Insulation Resistance:500MΩ min
 Operation Temperature:-40℃ to+105℃ Δ

Contact Material:Brass
 Contact plating:Au Or Sn Over Ni
 Insulator Material:PA6T+30%G.F UL94V-0
 Δ

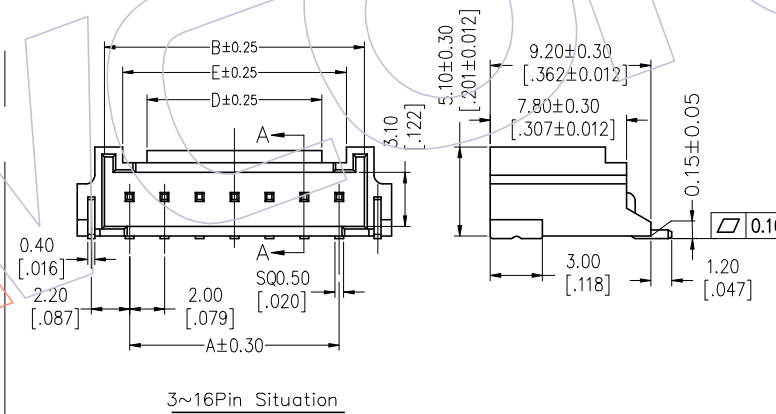
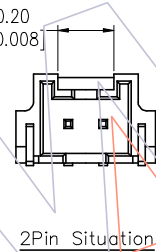
Recommended P.C.B Layout(Top Side)
 (PCB BOARD TOLERANCE \pm 0.05)



Ordering Information

WF2005 - WZ **XX** **X** **X** 1

No.of pins 02~16P
 Contact Plating S0=Gold Flash/Tin S3=10u"Gold/Tin S4=15u"Gold/Tin S5=30u"Gold/Tin G0=Gold Flash G3=10u"Gold G4=15u"Gold G5=30u"Gold Blank=Tin
 Color B=Black E=Beige W=White
 Packing 0=PE Bag T=Tube



Specification & Ordering Information:

Circuit	Part No.	Dimension					Q'ty Bag
		A	B	C	D	E	
02	WF2005-WZ02XX1	2.0	4.8	8.0	—	—	1000
03	WF2005-WZ03XX1	4.0	6.8	10.0	2.0	4.80	1000
04	WF2005-WZ04XX1	6.0	8.8	12.0	4.0	6.80	1000
05	WF2005-WZ05XX1	8.0	10.8	14.0	6.0	8.80	1000
06	WF2005-WZ06XX1	10.0	12.8	16.0	8.0	10.80	1000
07	WF2005-WZ07XX1	12.0	14.8	18.0	10.0	12.80	1000
08	WF2005-WZ08XX1	14.0	16.8	20.0	12.0	14.80	1000
09	WF2005-WZ09XX1	16.0	18.8	22.0	14.0	16.80	1000
10	WF2005-WZ10XX1	18.0	20.8	24.0	16.0	18.80	1000
11	WF2005-WZ11XX1	20.0	22.8	26.0	18.0	20.80	1000
12	WF2005-WZ12XX1	22.0	24.8	28.0	20.0	22.80	1000
13	WF2005-WZ13XX1	24.0	26.8	30.0	22.0	24.80	1000
14	WF2005-WZ14XX1	26.0	28.8	32.0	24.0	26.80	1000
15	WF2005-WZ15XX1	28.0	30.8	34.0	26.0	28.80	1000
16	WF2005-WZ16XX1	30.0	32.8	36.0	28.0	30.80	1000

REV	DATE	MODIFICATION DESCRIPTION	CHANGE	OPERATION	DRAW	DATE	SCALE	FIT	PART NO.
A2	2022/04/20	Modify Operation Temperature Δ	DuYing	X.X ±0.40	DuYing	2022/04/20	UNIT mm		SEE TAB
A1	2014/03/13	Modify The Material PA9T--PA6T Δ	JYHuang	X.XX ±0.25	CHECK	DATE	SIZE A4		TITLE: 2.00 WAFER 90° SMT
A0	2012/09/05	NEW	—	X.XXX ±0.15	APPROVE	DATE	SHEET 1/1		Customer NO.
				Angle ± 3'					
				DIM TOL			PROJ.		

WCON
 Http: www.wcon.com
 WCON-Dongguan WCON-Kunshan
 Tel: +86 769 85358920 Tel: +86 512 57468408
 Fax: +86 769 85358915 Fax: +86 512 57468468
 E-mail: sales@wcon.com E-mail: sales@wcon.com