

# HSF

## TECHNICAL SPECS:

Current Rating: 3.0AMP  
 Contact Resistance: 10m Ω, Max  
 Dielectric Strength: Min 1000Vrms  
 Mechanical Life: Min 500 cycles  
 Operation Temperature: -40°C to +105°C

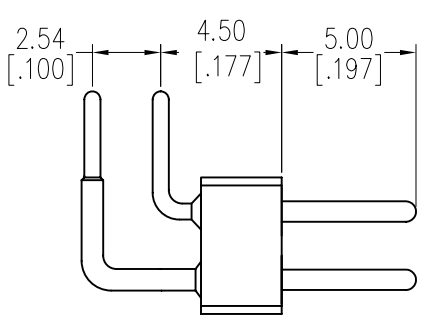
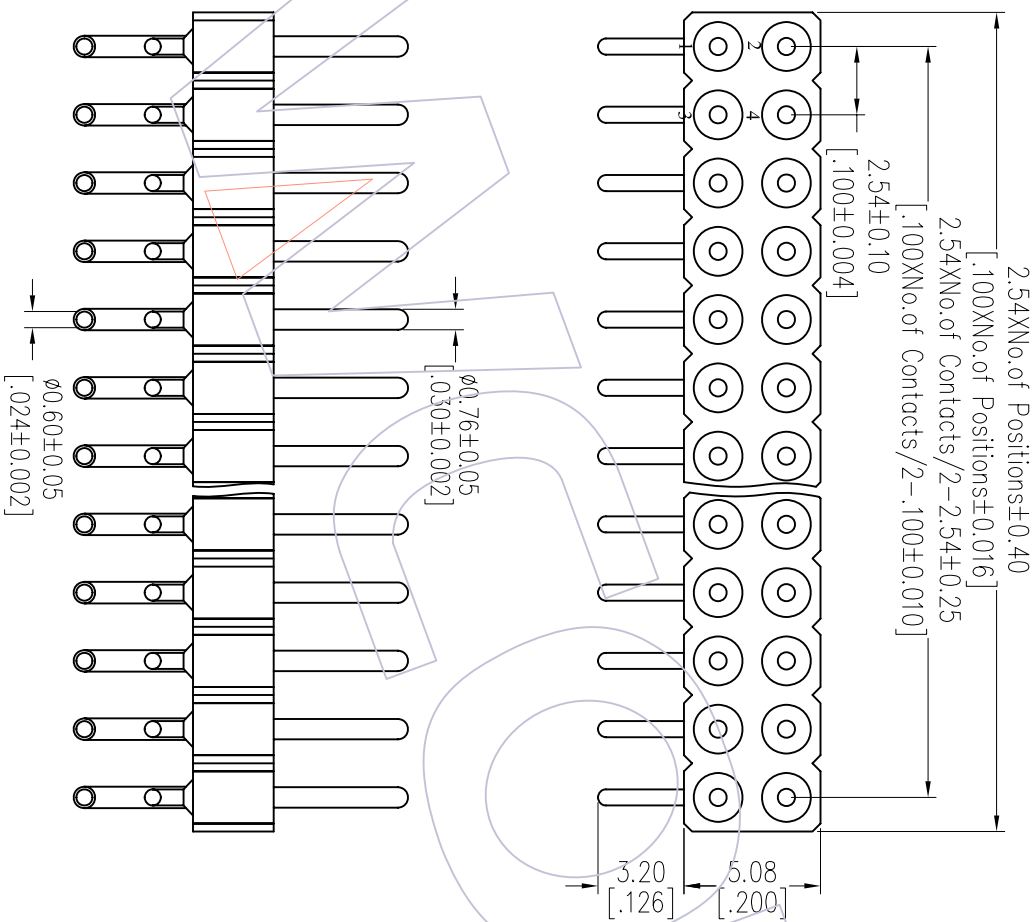
Sleeve: Brass CuZn36Pb3(C36000)  
 Contact plating: Au over Ni  
 Connecting Pin:  $\phi 0.76$ mm  
 Insulator Material: PPS+30%G.F(Ul94V-0)

## Ordering Information

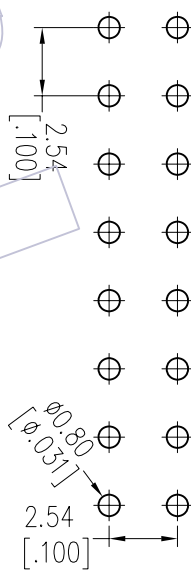
3511-302 XX R XX 136 X 1

No. of Pins per Row: 02-50Pin  
 Contact Plating:  
 G0=Gold Flash  
 G3=10u"Gold  
 G4=15u"Gold  
 G5=50u"Gold

Packaging:  
 T=Tube  
 A=Tray



Recommended P.C.B Layout(Top Side)  
 (PCB BOARD TOLERANCE ±0.05)



Item	Pitch	Mating
Standard	2.54	3521
Alternate		

OPERATION		DRAW		DATE		SCALE		FIT		PART NO.	
XX	±0.40	JYHuang		2012/10/23		mm				3511-302XXRXX136X1	
CHECK		CHECK		DATE		UNIT		SIZE		TITLE:	
X,XXX	±0.15	X,XXX	±0.15			A4				2.54mm MACHINED PIN HEADER DUAL ROW 90° H=3.00 L=13.67	
APPROVE		APPROVE		DATE		SHEET		1/1		Customer NO.	
± 3'											
CHANGE	DIM	TOL				PROJ.					
REV	DATE	MODIFICATION DESCRIPTION									
A0	2012/10/23	NEW									

# WCON

Http: www.wcon.com  
 WCON-Dongguan Tel: +86 769 85358920 Fax: +86 769 85358915 E-mail: sales@wcon.com  
 WCON-Kunshan Tel: +86 512 57468408 Fax: +86 512 57468468 E-mail: sales@wcon.com