

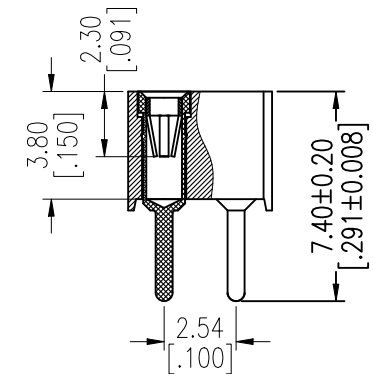
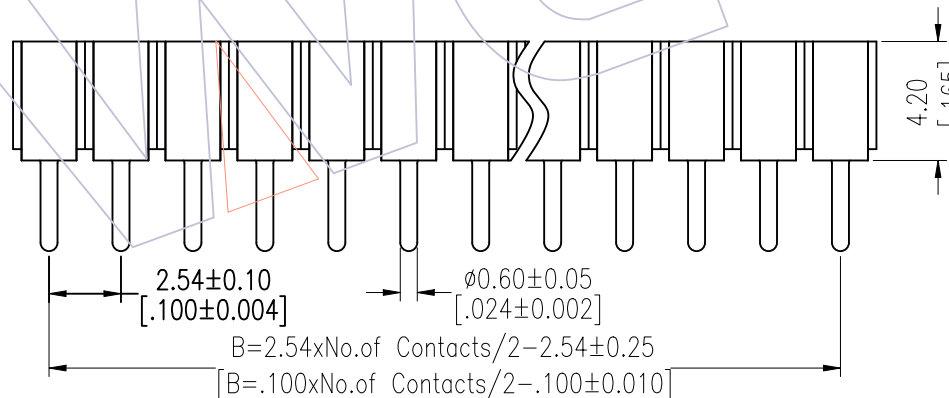
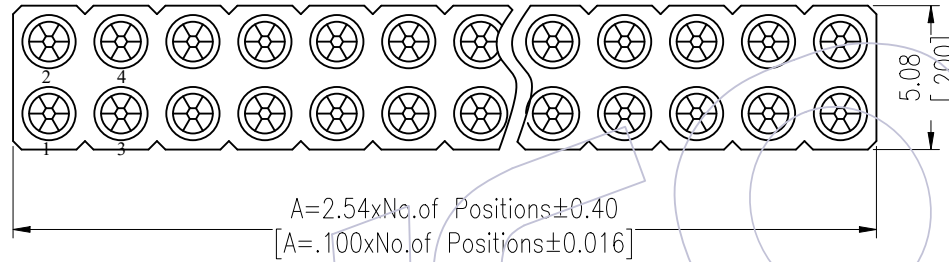
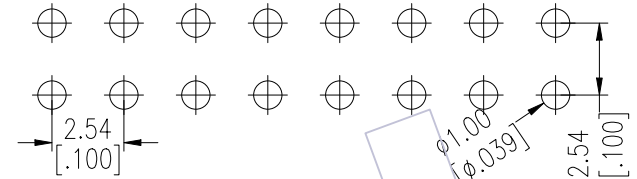
HSF

TECHNICAL SPECS:

Current Rating: 3.0AMP
 Contact Resistance: 10mΩ Max
 Dielectric Strength: Min 1000VRMS
 Mechanical Life: Min 500 cycles
 Mating Pin: φ0.7 to φ0.9mm or 0.635SQ
 Forces: (polished steel gauge φ0.76mm)
 Insertion: 150g Max/Pin, Withdrawal: 30g Min/Pin
 Operation Temperature: -40°C to +105°C

Sleeve: Brass CuZn36Pb3(C36000)
 Contact Clip(6 finger): BeCu(C17200)
 Insulator Material: PPS+30%G.F(UL94V-0)

Recommended P.C.B Layout(Top Side)
 (PCB BOARD TOLERANCE ±0.05)



Ordering Information

3521-422 XX S XX 074 X 1

No. of Pin 2~50PIN	Contact Plating S0=Gold Flash/Tin S3=10u"Gold/Tin S4=15u"Gold/Tin S5=30u"Gold/Tin SN=Tin	Packing A=Tray T=Tube
-----------------------	---	-----------------------------

Item	Pitch	Mating
Standard	2.54	3511
Alternate		

REV	DATE	MODIFICATION DESCRIPTION	CHANGE	OPERATION	DRAW	DATE	SCALE	FIT	PART NO.
				X.X ±0.40	JYHuang	2012/10/18	UNIT	mm	3521-422XSXX074X1
				X.XX ±0.25	CHECK	DATE	SIZE	A4	TITLE:
A0	2012/10/18	NEW	-----	X.XXX ±0.15	APPROVE	DATE	SHEET	1/1	2.54mm MACHINED FEMALE HEADER DUAL ROW 180° H=4.20 L=7.4
				Angle ± 3°			PROJ.	⊕	Customer NO.
				DIM TOL					

WCON

Http: www.wcon.com

WCON-Dongguan Tel: +86 769 85358920 Fax: +86 769 85358915 E-mail: sales@wcon.com	WCON-Kunshan Tel: +86 512 57468408 Fax: +86 512 57468468 E-mail: salesks@wcon.com
---	--