

# HSF

## TECHNICAL SPECS:

Current Rating: 3.0AMP  
 Contact Resistance: 10mΩ Max  
 Dielectric Strength: Min 1000VRMS  
 Mechanical Life: Min 500 cycles  
 Mating Pin: Ø0.7 to Ø0.9mm or 0.635SQ  
 Forces: (polished steel gauge Ø0.76mm)  
 Insertion: 150g Max/Pin, Withdrawal: 30g Min/Pin  
 Operation Temperature: -40°C to +105°C

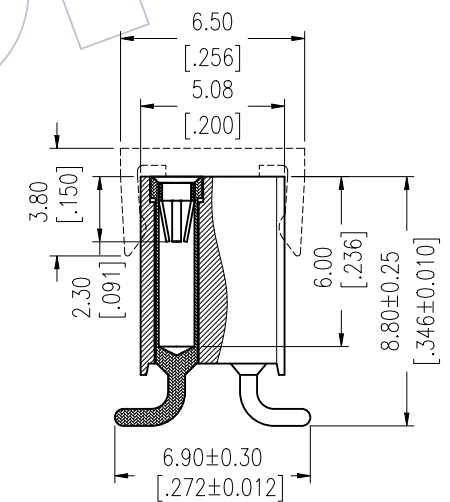
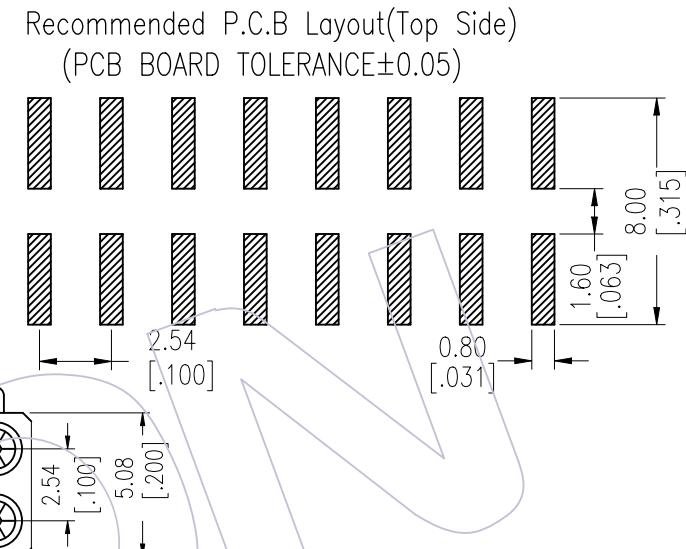
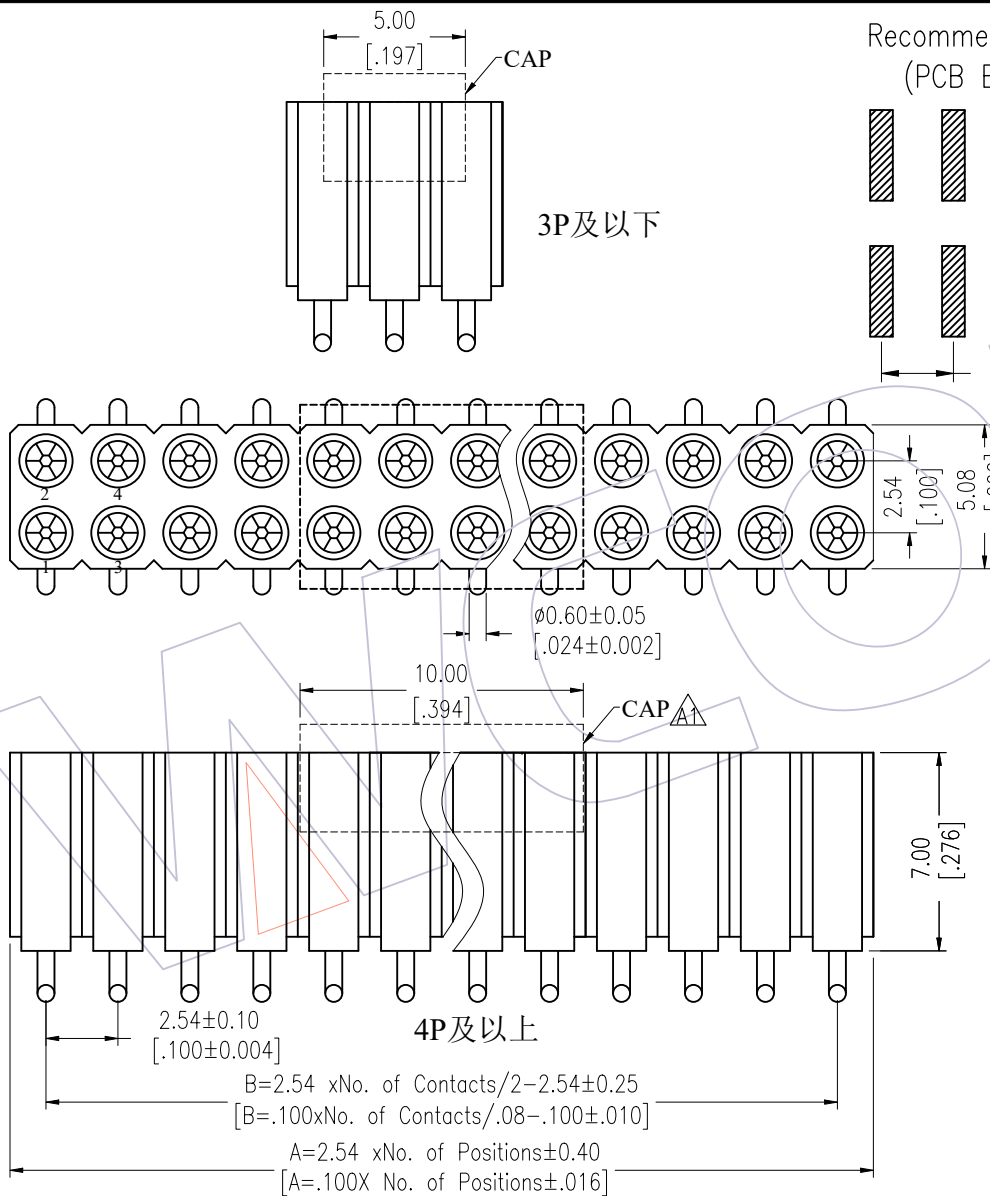
Sleeve: Brass CuZn36Pb3(C36000)  
 Contact Clip(6 finger): BeCu(C17200)  
 Insulator Material: PPS+30%G.F(UL94V-0)

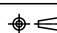
## Ordering Information

3521-702 XX M XX 104 X 1

No. of Pin 2-40PIN 	Contact Plating S0=Gold Flash/Tin S3=10u"Gold/Tin S4=15u"Gold/Tin S5=30u"Gold/Tin SN=Tin	Packing T=Tube R=Tab&Reel
--	---	---------------------------------

Item	Pitch	Mating
Standard	2.54	3511
Alternate		



REV	DATE	MODIFICATION DESCRIPTION	CHANGE	OPERATION	DRAW	DATE	SCALE	FIT	PART NO.
A2	2018/03/07	Modify	-----	X.X ± 0.40	Ding	2018/03/07	UNIT	mm	3521-702XXMXX104X1
A1	2017/04/10	Add CAP	-----	X.XX ± 0.25	CHECK	DATE	SIZE	A4	TITLE: 2.54mm MACHINED FEMALE HEADER DUAL ROW SMT H=7.00 L=10.4
A0	2012/10/18	NEW	-----	X.XXX ± 0.15	APPROVE	DATE	SHEET	1/1	Customer NO.
				Angle ± 3'			PROJ.		
				DIM TOL					

**WCON**  
 Http: www.wcon.com

WCON-Dongguan  
 Tel: +86 769 85358920  
 Fax: +86 769 85358915  
 E-mail: sales@wcon.com

WCON-Kunshan  
 Tel: +86 512 57468408  
 Fax: +86 512 57468468  
 E-mail: salesks@wcon.com