



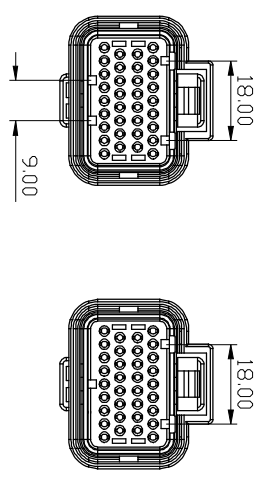
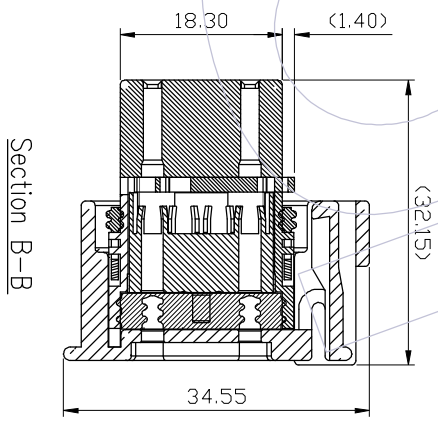
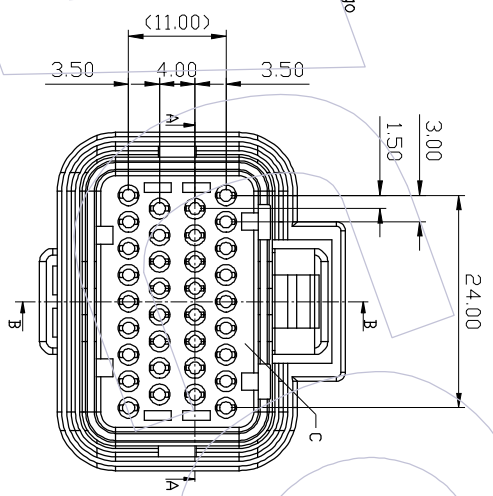
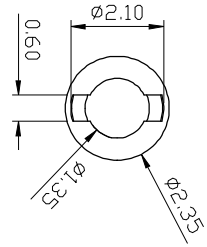
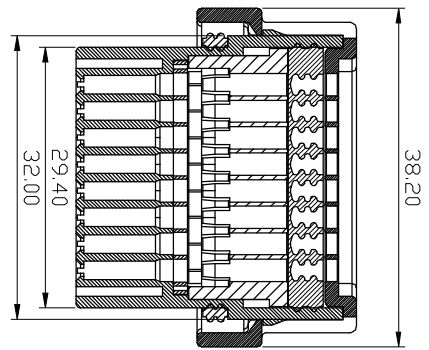
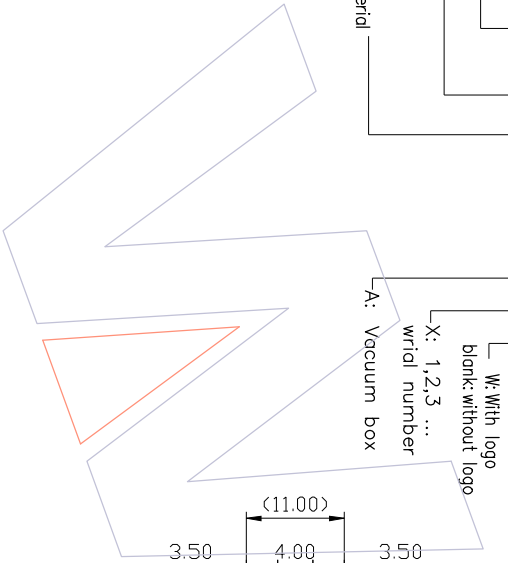
NOTES:
 Rated Current: 7 AMP Min.
 Contact Resistance: 15mΩ Max.
 Rated Voltage: 1000V AC
 Operation Temperature: -40°C to +125°C

Socket Insulator Material: PBT+30%G.F UL94V-0 BK
 Final Lock Material: PBT+30%G.F UL94V-0 White
 Initial Lock Material: PBT+30%G.F UL94V-0 BK
 Locking & Backplate Material: PBT UL94V-0 BK
 Bushing Material: silicone rubber
 Sealing Material: silicone rubber

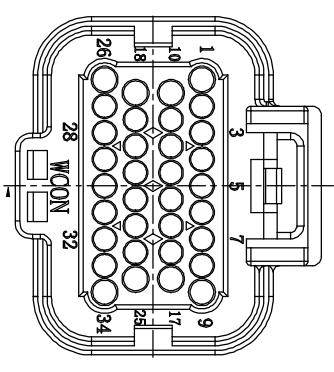
Ordering Information

7 30 40 - 4 F C 034 A N 00 W A X X

F: Female
 No. of pins
 034=34P
 Insulator Material
 A=PBT



INSULATION DIA	WIRE EXAMPLE	INSERTABLE POSITION
φ2.0~φ2.2	AVSS 1.25	1,9,10,17,18,25,26,34
φ1.5~φ1.9	AVSS 0.5~0.85	ALL POSITION



REV	DATE	MODIFICATION DESCRIPTION	CHANGE	OPERATION	DRAW	DATE	SCALE	PART NO.	TITLE: 3.0X4.0mm four row car connector line end 34P plug Customer NO.	WCON-Dongguan Tel: +86 769 85358920 Fax: +86 769 85358915 E-mail: sales@wcon.com	WCON-Kunshan Tel: +86 512 57468408 Fax: +86 512 57468468 E-mail: sales@wcon.com
A0	2021/10/25	NEW	---	X.X	Kevin-xin	2021/10/25	mm A4	73040-4FC034AN00WAXX			
REV	DATE	MODIFICATION DESCRIPTION	CHANGE	OPERATION	DRAW	DATE	SCALE	PART NO.			
				X.X	Kevin-xin	2021/10/25	mm A4	73040-4FC034AN00WAXX			
				X.XX	CHECK	DATE	SIZE				
				Angle	APPROVE	DATE	SHEET				
				± 3'	PROJ.	DATE	1/1				
				± 0.25							
				± 0.40							
				± 0.60							



Http: www.wcon.com