

# HSF

NOTES:  
 Rated Current: 7 AMP Min.  
 Contact Resistance: 15mΩ Max.  
 Rated Voltage: 1000V AC  
 Operation Temperature: -40°C to +125°C

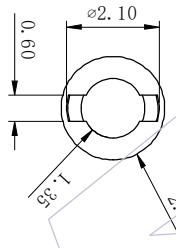
Socket Insulator Material: PBT+30%G.F UL94V-0 BK  
 Final Lock Material: PBT+30%G.F UL94V-0 White  
 Initial Lock Material: PBT+30%G.F UL94V-0 BK  
 Locking & Backplate Material: PBT UL94V-0 BK  
 Bushing Material: silicone rubber  
 Sealing Material: silicone rubber

## Ordering Information

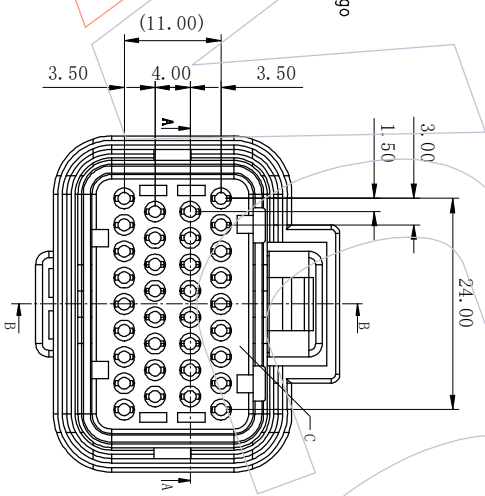
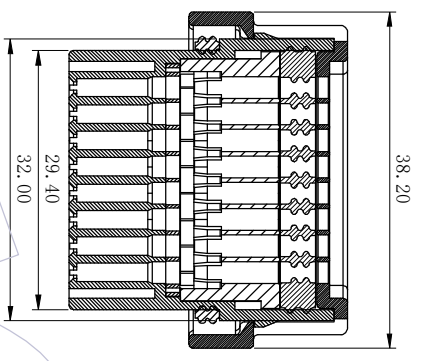
7 30 40 - 4 F C 034 A N 00 W A X X

F: Female  
 No of pins  
 034=34P  
 Insulator Material  
 A=PBT

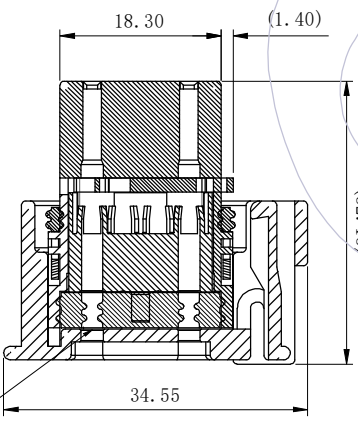
W: With logo  
 blank: without logo  
 X: 1, 2, 3 ...  
 wrld number



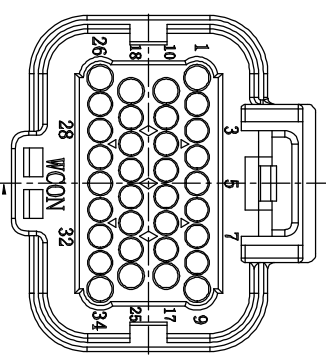
DETAIL "C"  
 5:1



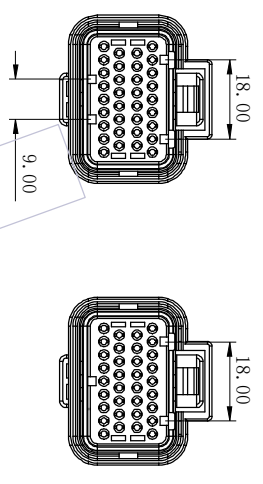
Section B-B



through-hole



INSULATION DIA	WIRE EXAMPLE	INSERTABLE POSITION
φ2.0~φ2.2	AVSS 1.25	1, 9, 10, 17, 18, 25, 26, 34
φ1.6~φ1.9	AVSS 0.5~0.85	ALL POSITION



73040-4FC034AN00WAXX

73040-4FC34AN00W6GX

OPERATION	DRAW	DATE	SCALE	FIT	PART NO.	TITLE: 3.0X4.0mm four row car connector line end 34P plug (through-hole) Customer NO.
X.	kevin-xin	2022/08/25	UNIT	[mm]	73040-4FC034AN00WAXX	
X.X	CHECK	DATE	SIZE	A4		
X.XX	ANGLE	DATE	SHEET	1/1		
± 3'	TOL	DATE	PROJ.			
APPROVE	DATE					
CHANGE	DESCRIPTION					
DATE	DESCRIPTION					
2022/08/25	NEW					
REV	DATE	DESCRIPTION	CHANGE	DIM		

# WCON

Http: www.wcon.com  
 WCON-Dongguan  
 Tel: +86 769 85358920  
 Fax: +86 769 85358915  
 E-mail: sales@wcon.com  
 WCON-Kunshan  
 Tel: +86 512 57468408  
 Fax: +86 512 57468468  
 E-mail: sales@wcon.com