

HSF

PRELIMINARY

NOTES:
 Rated Current:DC/3.0Amp (22#AWG) .
 Applicable Wire:
 22#AWG-28#AWG (See Table.1)
 Operation Temperature:-55°C to +85°C

Contact Material:Copper;
 Contact Plating:
 xx μ " Gold on contact area
 (See ordering information),
 100 μ " TIN on solder area,
 50 μ " Nickel underplating overall;

Matching Housing Model: 6341-2HXXB01.

Ordering Information

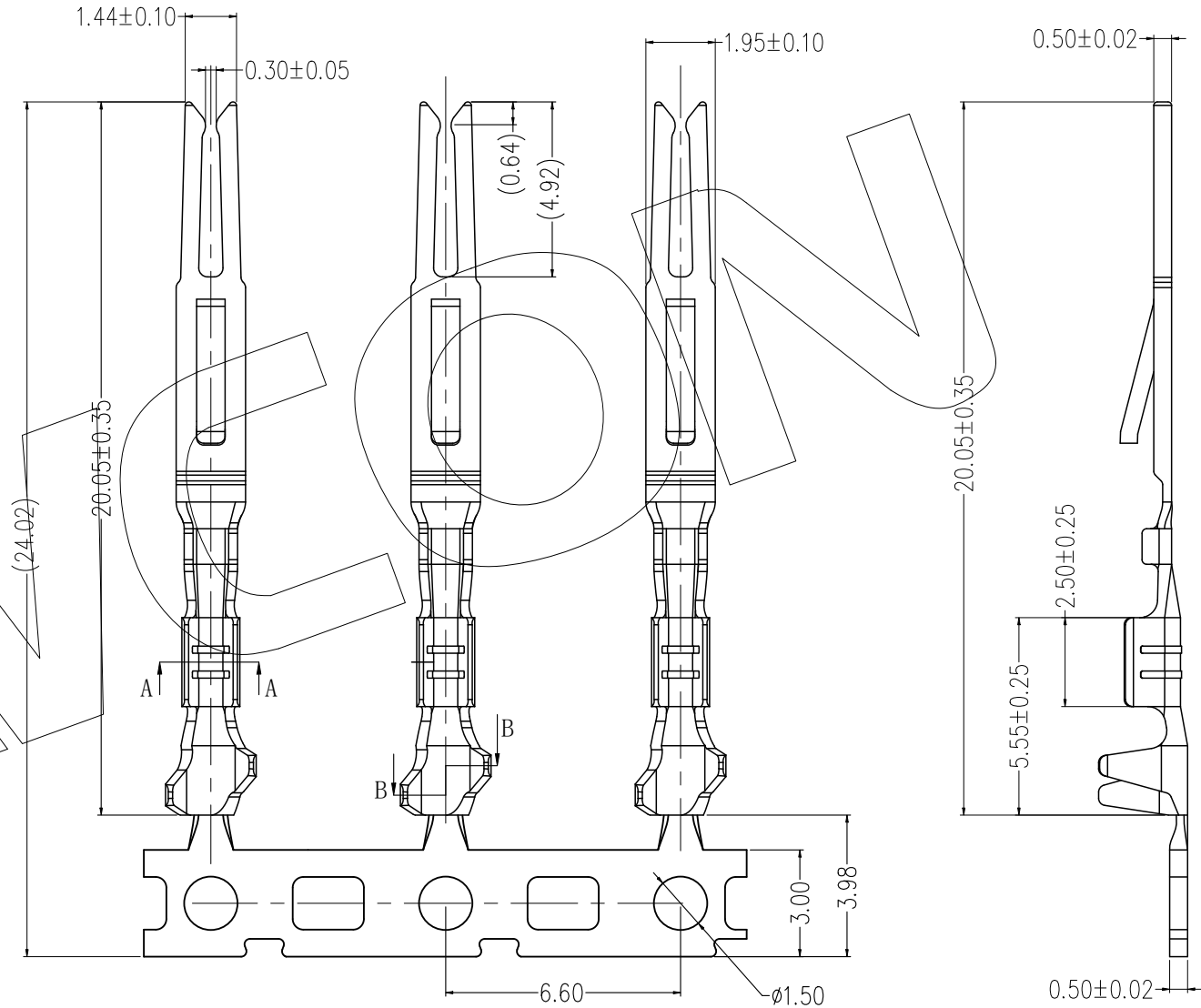
6341- T P S0 01

T:Crimp Terminal

Material
 P:Copper

Plating
 S0:1u Gold/Tin

Terminal Type
 01 or 02(See Table.1)



REV	DATE	MODIFICATION DESCRIPTION	CHANGE	OPERATION	DRAW	DATE	SCALE	FIT	PART NO.
1	2023/09/08	Update Drawing	YZJ	X.X ±0.30	Morris	2023/03/15	UNIT	mm	6341-TPS00X
AO	2023/03/15	NEW	---	X.XX ±0.25	CHECK	DATE	SIZE	A4	TITLE: 2.54mm DFCN Housing Terminal Crimp Type.
				X.XXX ±0.15	APPROVE	DATE	SHEET	1/2	Customer NO.
				Angle ±3°			PROJ.	⚡	
				DIM	TOL				

WCON
 Http: www.wcon.com

WCON-Dongguan
 Tel:+86 769 85358920
 Fax:+86 769 85358915
 E-mail:sales@wcon.com

WCON-Kunshan
 Tel:+86 512 57468408
 Fax:+86 512 57468468
 E-mail:salesks@wcon.com

